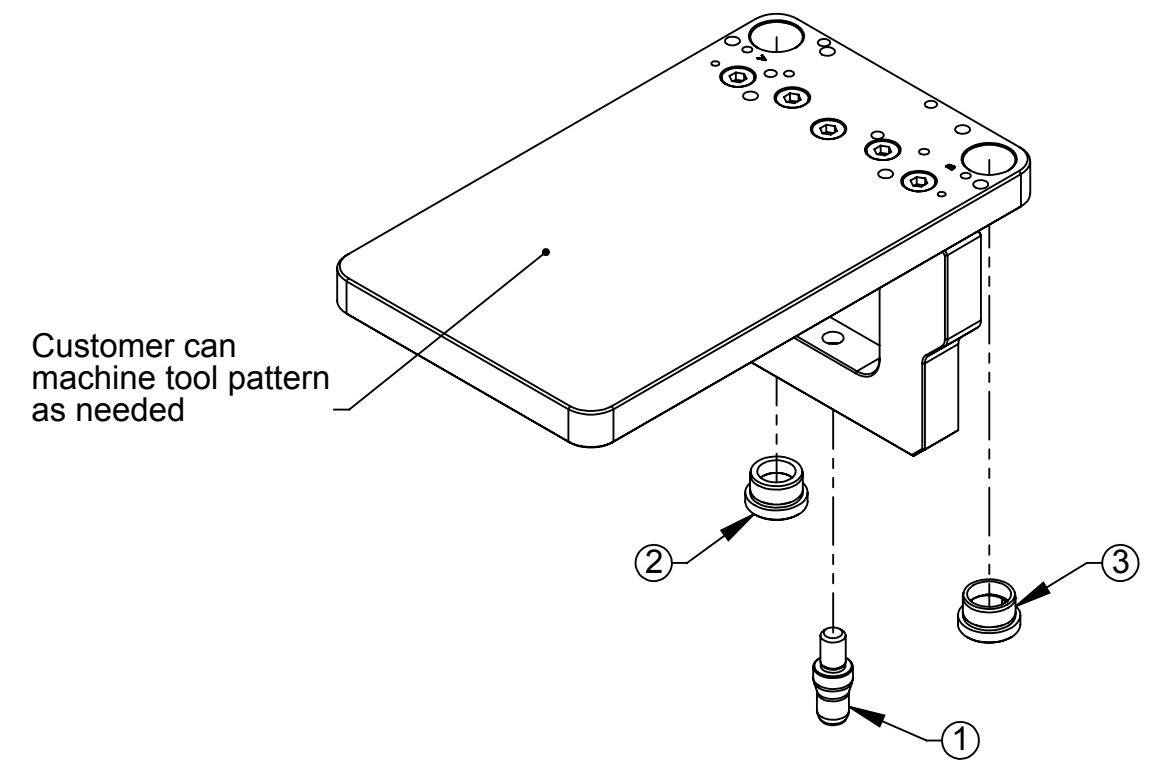
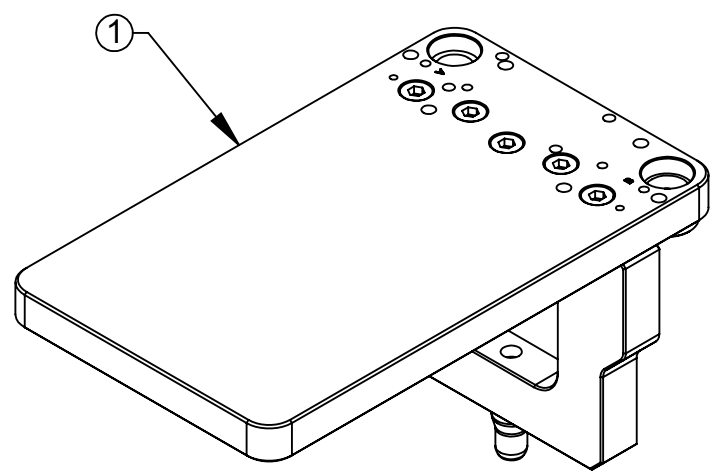
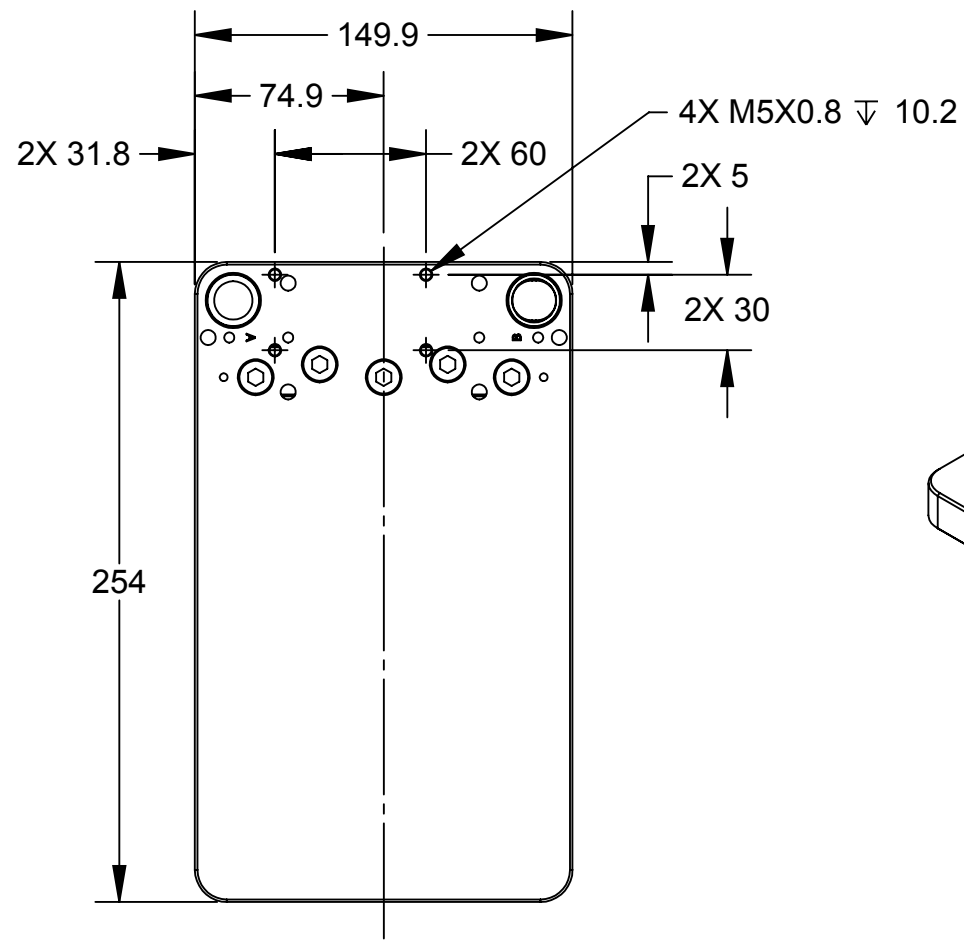
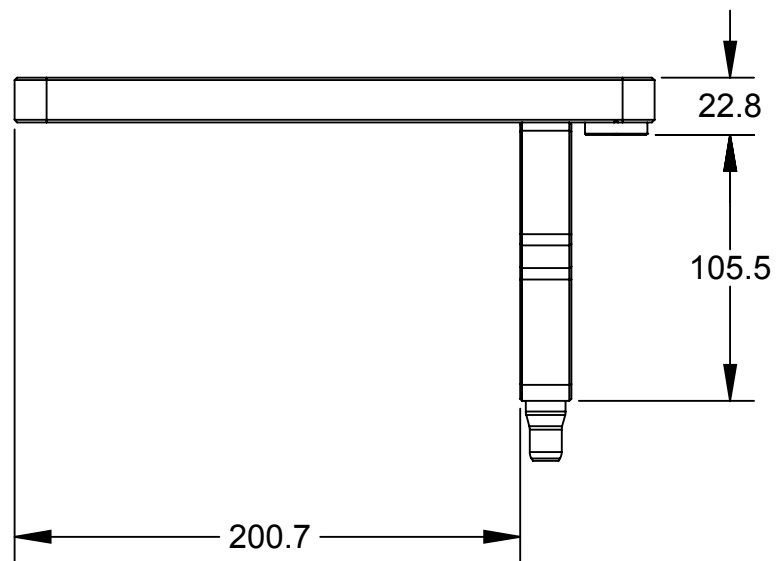
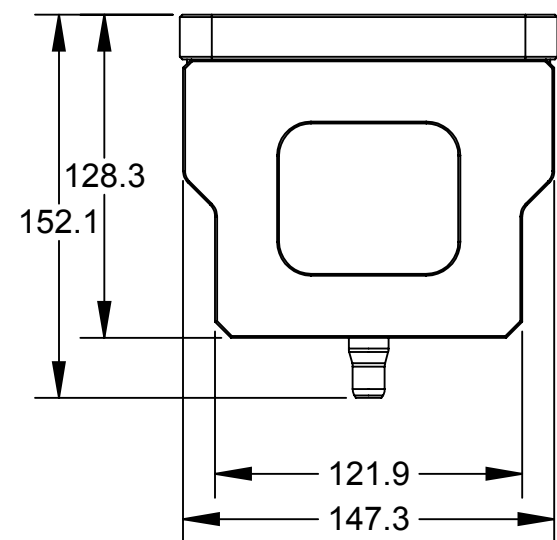


Rev.	Description	Initiator	Date
03	ECO 16373: Updated customer drawing to reflect addition of TSM-MA03 mounting pattern to TSM interface plate. Added "4X M5X0.8 ∇ 10.2" to Top View.	TBC	1/12/2018



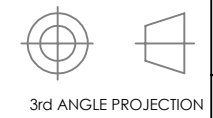
Serviceable Items			
ITEM NO.	QTY.	PART NUMBER	DESCRIPTION
1	1	3700-20-8434	TSM Pin & Bushing, Alignment Pin, Dual Taper
2	1	3700-20-8435	Drill Bushing, Flanged, 16mm ID
3	1	3700-20-8436	Drill Bushing, Flanged, Elongated, 16mm ID



ITEM NO.	QTY.	PART NUMBER	DESCRIPTION
1	1	9120-TSM-HBB-9223	TSM Tooling Interface Plate - Blank

Notes:
 1. Plate material: 6061-T6 Aluminum, soft coat black anodize.
 2. Weight: approx 5.5 lbs

NOTES: UNLESS OTHERWISE SPECIFIED.
 DO NOT SCALE DRAWING. ALL DIMENSIONS ARE IN MILLIMETERS.



1031 Goodworth Drive, Apex, NC 27539, USA
 Tel: +1.919.772.0115 Email: info@ati-ia.com
 Fax: +1.919.772.8259 www.ati-ia.com
 ISO 9001 Registered Company

PROPERTY OF ATI INDUSTRIAL AUTOMATION, INC. NOT TO BE REPRODUCED IN ANY MANNER EXCEPT ON ORDER OR WITH PRIOR WRITTEN AUTHORIZATION OF ATI.

DRAWN BY: D. Wooden 02/24/15		TITLE	
CHECKED BY: J. Winterroth 03/04/15		TSM Tooling Interface Plate - Blank	
PROJECT #	130510-5	SHEET	1 OF 1
SCALE	1:3	SIZE	B
DRAWING NUMBER		REVISION	
9630-20-TSM-HBB-9223		03	