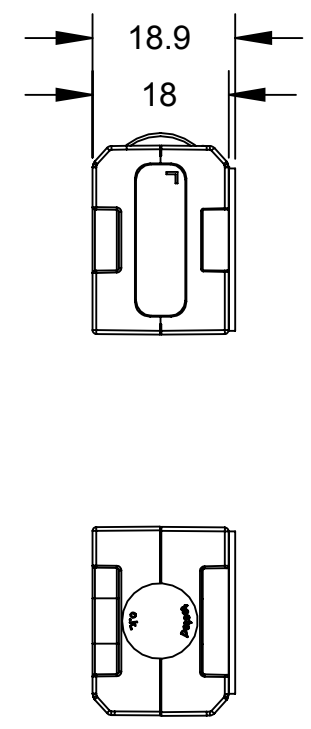
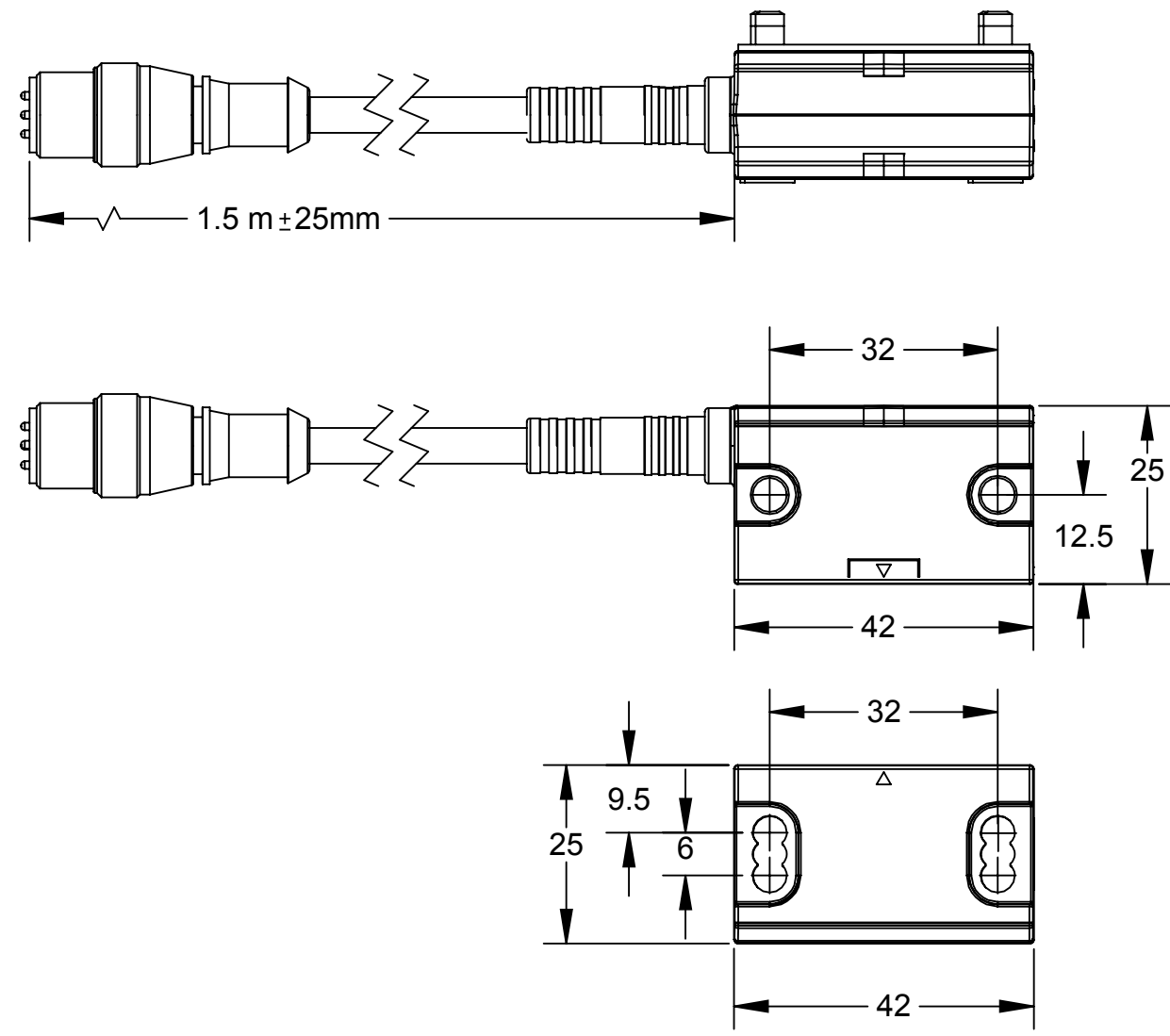
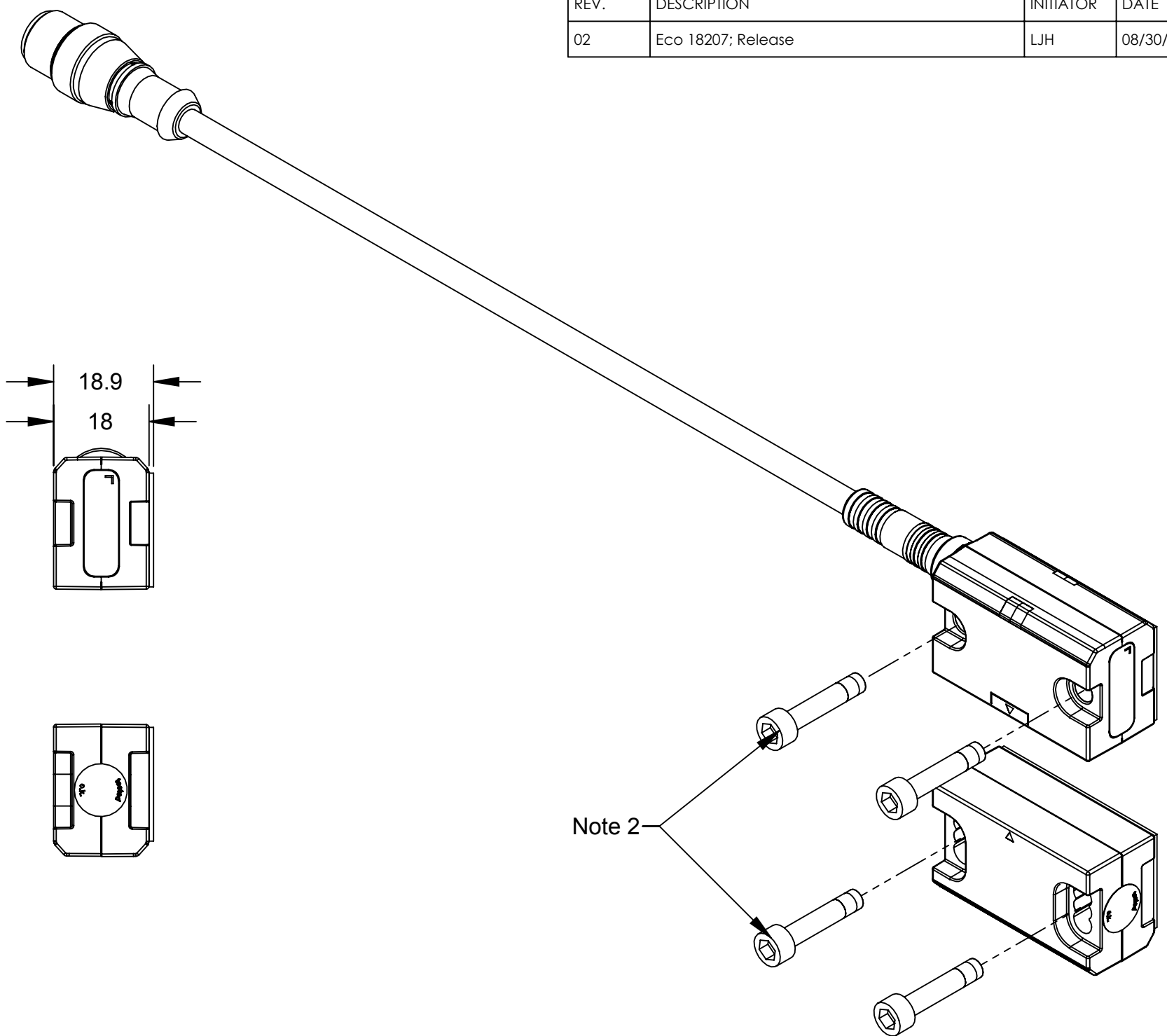


REV.	DESCRIPTION	INITIATOR	DATE
02	Eco 18207; Release	LJH	08/30/19



Note 2

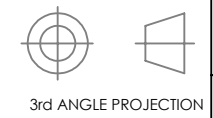
Notes:

1. Switch and actuator shipped loose. To be installed by customer.
2. Customer to provide and install 4X M4X0.7 SHCS and torque to MAX 0.8 Nm. DO NOT overtighten.
3. Isolator pads included with switch and actuator.

ITEM NO.	QTY	PART NUMBER	DESCRIPTION
1	1	9120-TSL-SS-9025	TSL TSI - Non-Contact Euchner - 1.5m Cable, M12 5-pin - Switch & Actuator Only, No Bracket - Kit

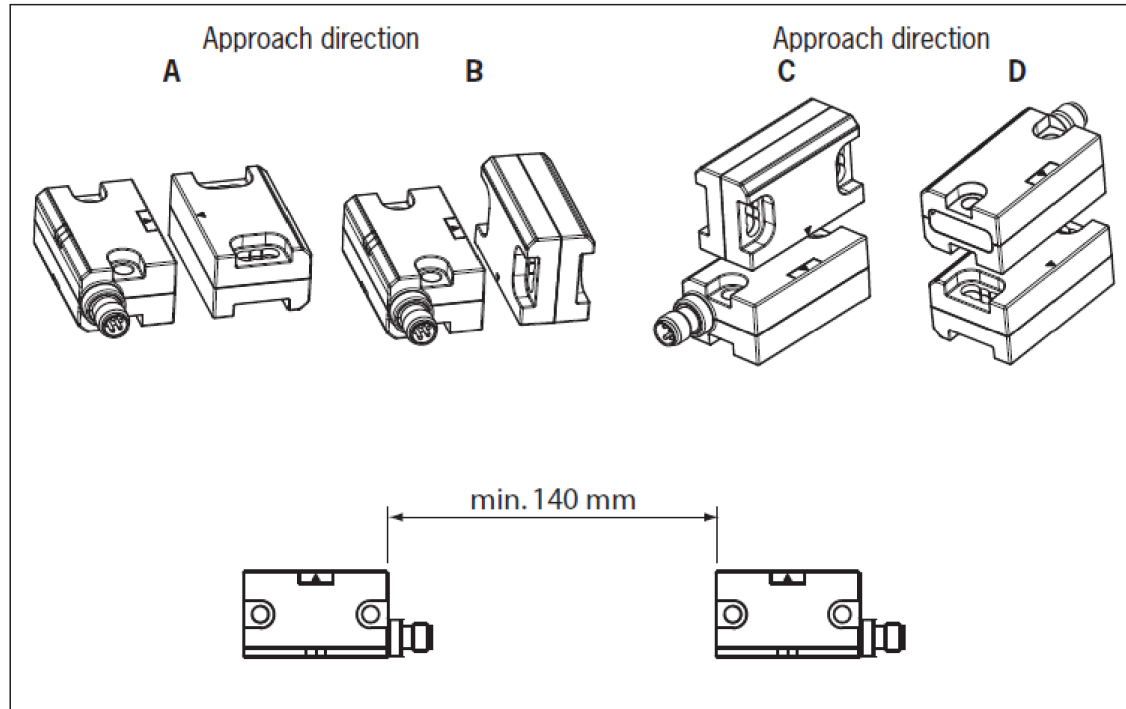
  

NOTES: UNLESS OTHERWISE SPECIFIED.  DO NOT SCALE DRAWING. ALL DIMENSIONS ARE IN MILLIMETERS.			1031 Goodworth Drive, Apex, NC 27539, USA Tel: +1.919.772.0115 Email: info@ati-ia.com Fax: +1.919.772.8259 www.ati-ia.com ISO 9001 Registered Company	
	DRAWN BY: L.Hines 8/30/19 CHECKED BY: W.Berrocal 10/1/19		TITLE TSL TSI - Non-Contact Euchner - 1.5 m Cable, M12 5-pin - Switch & Actuator Only, No Bracket - Kit	
PROJECT # SHEET 1 OF 2		SCALE	SIZE	DRAWING NUMBER
		1:1	B	9630-20-TSL-SS-9025
				REVISION
				02



PROPERTY OF ATI INDUSTRIAL AUTOMATION, INC. NOT TO BE REPRODUCED IN ANY MANNER EXCEPT ON ORDER OR WITH PRIOR WRITTEN AUTHORIZATION OF ATI.

## Approach directions and minimum distance CES-I-AP-.-C04

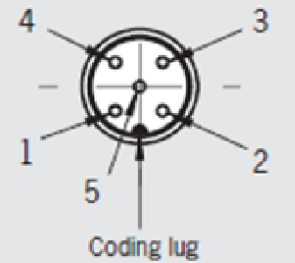


In combination with actuator CES-A-BBN-C04-115271...	Approach directions A and B (see page 111)			
Operating distance for center offset $m = 0$				
- Switch-on distance	-	15	-	mm
- Assured switch-on distance $s_{so}$	10	-	-	
- Switching hysteresis <sup>2)</sup>	1	2	-	
- Assured switch-off distance $s_{ar}$	in x/z direction		40	
	in y direction		60	
In combination with actuator CES-A-BBN-C04-115271...	Approach directions C and D (see page 111)			
Operating distance for center offset $m = 0$				
- Switch-on distance	-	11	-	mm
- Assured switch-on distance $s_{so}$	6	-	-	
- Switching hysteresis <sup>2)</sup>	1	2	-	
- Assured switch-off distance $s_{ar}$	in x/z direction		40	
	in y direction		60	

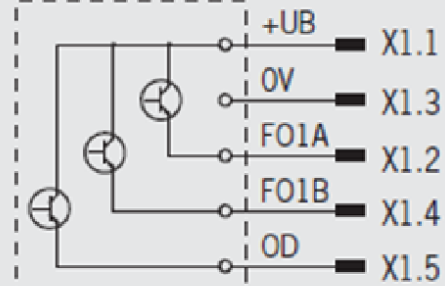
### Connection cable with M12 plug connector, 5-pin

#### Connector assignment

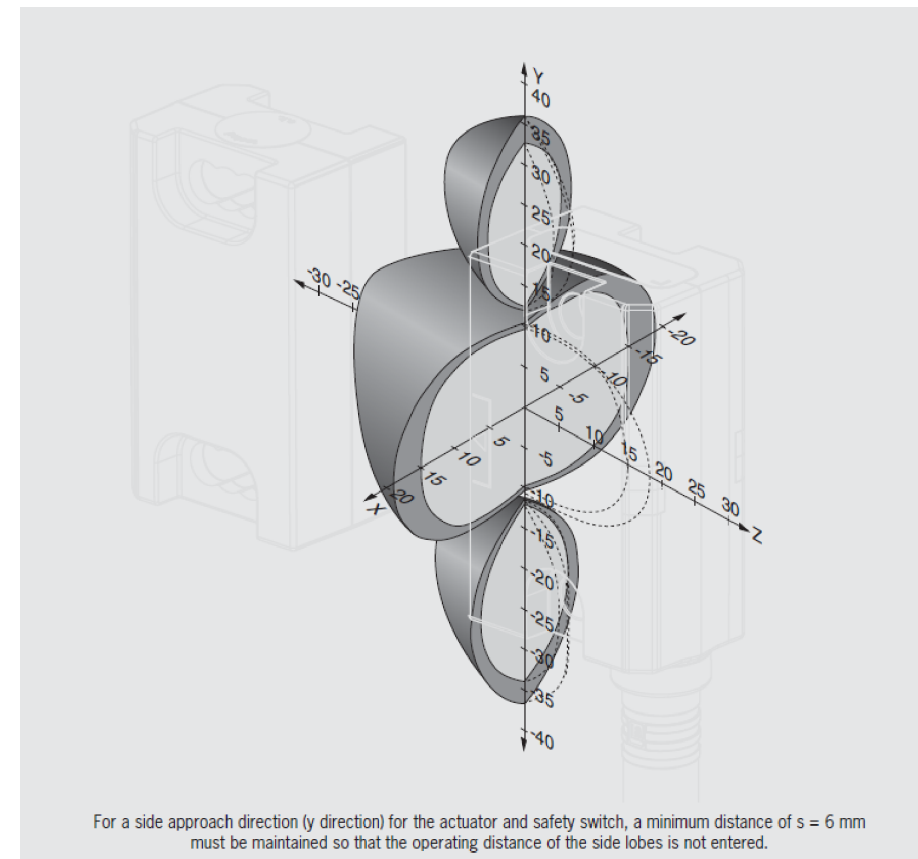
CES-I-AP-...-SB-...  
5-pin



View on the connection side of the safety switch



Pin	Designation/description	Wire color
1	UB Power supply DC 24 V	BN
2	FO1A Safety output channel 1	WH
3	0V Ground DC 0 V	BU
4	FO1B Safety output channel 2	BK
5	OD/ n.c. Monitoring output	GY



For a side approach direction (y direction) for the actuator and safety switch, a minimum distance of  $s = 6$  mm must be maintained so that the operating distance of the side lobes is not entered.

NOTES: UNLESS OTHERWISE SPECIFIED.

DO NOT SCALE DRAWING. ALL DIMENSIONS ARE IN MILLIMETERS.



3rd ANGLE PROJECTION



1031 Goodworth Drive, Apex, NC 27539, USA  
Tel: +1.919.772.0115 Email: info@ati-ia.com  
Fax: +1.919.772.8259 www.ati-ia.com  
ISO 9001 Registered Company

PROPERTY OF ATI INDUSTRIAL AUTOMATION, INC. NOT TO BE REPRODUCED IN ANY MANNER EXCEPT ON ORDER OR WITH PRIOR WRITTEN AUTHORIZATION OF ATI.

DRAWN BY: L.Hines 8/30/19

CHECKED BY: W.Berrocal 10/1/19

PROJECT #

SHEET 2 OF 2

TITLE

TSL TSI - Non-Contact Euchner - 1.5 m Cable, M12 5-pin - Switch & Actuator Only, No Bracket - Kit

SCALE  
1:1

SIZE  
B

DRAWING NUMBER  
9630-20-TSL-SS-9025

REVISION  
02