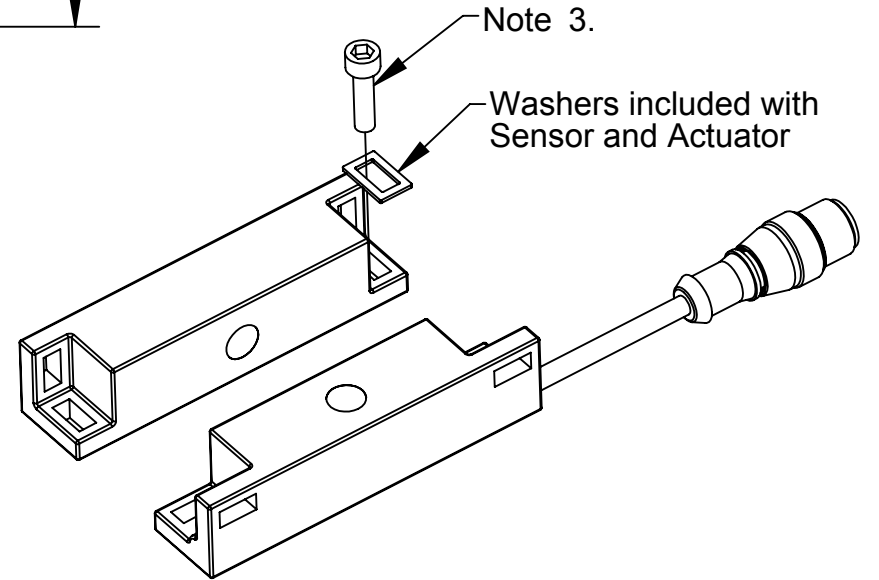
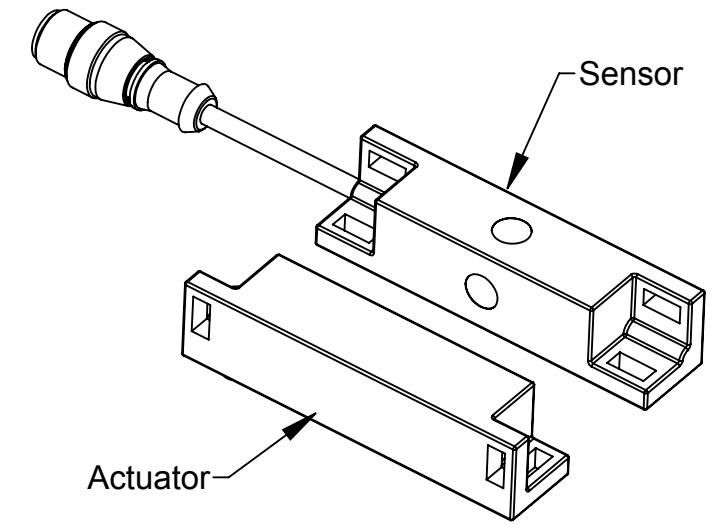
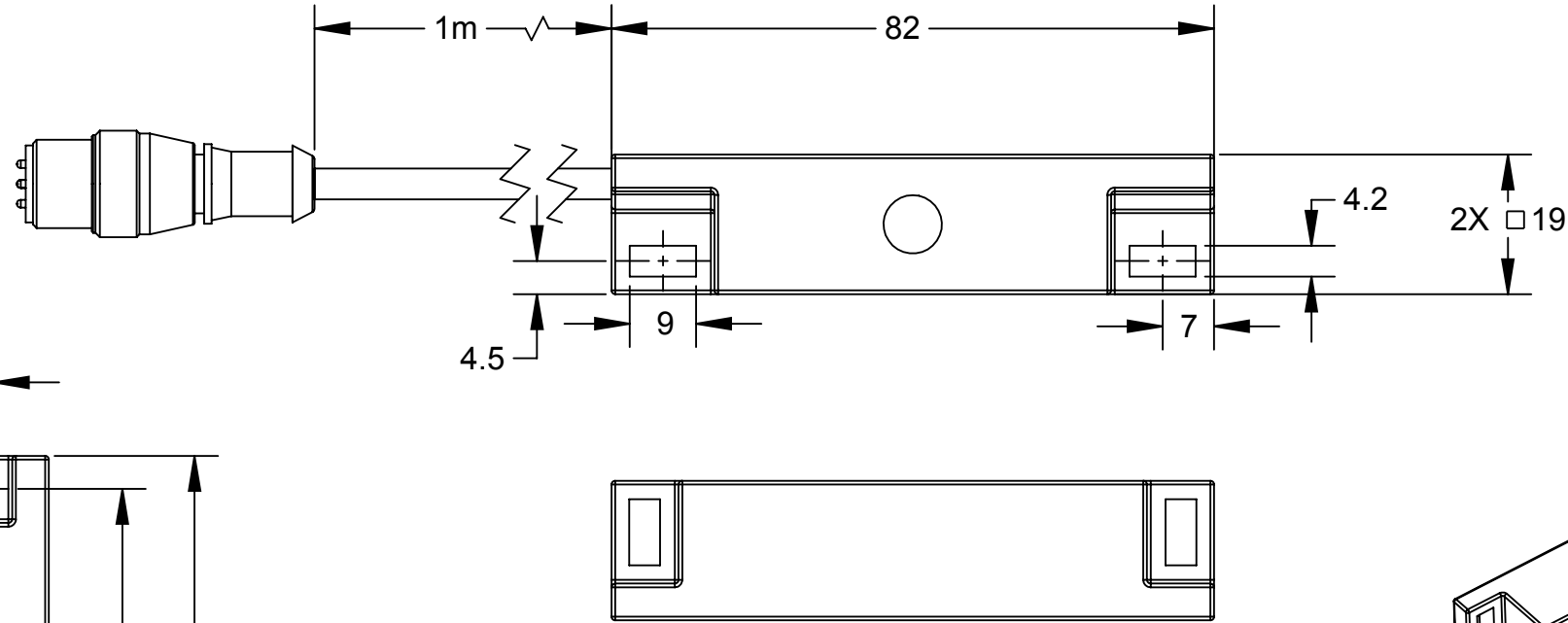
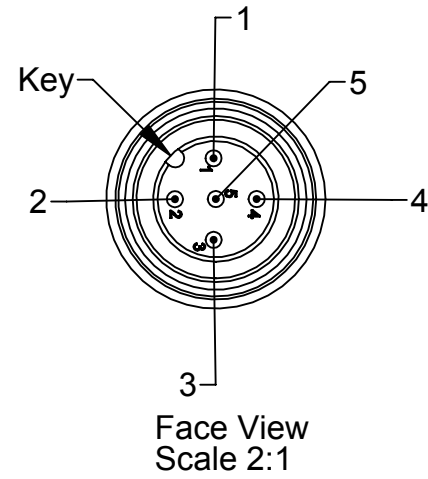


Rev.	Description	Initiator	Date
07	ECO 16537; Updated to overmolded version of the cable.	LJH	2/15/18

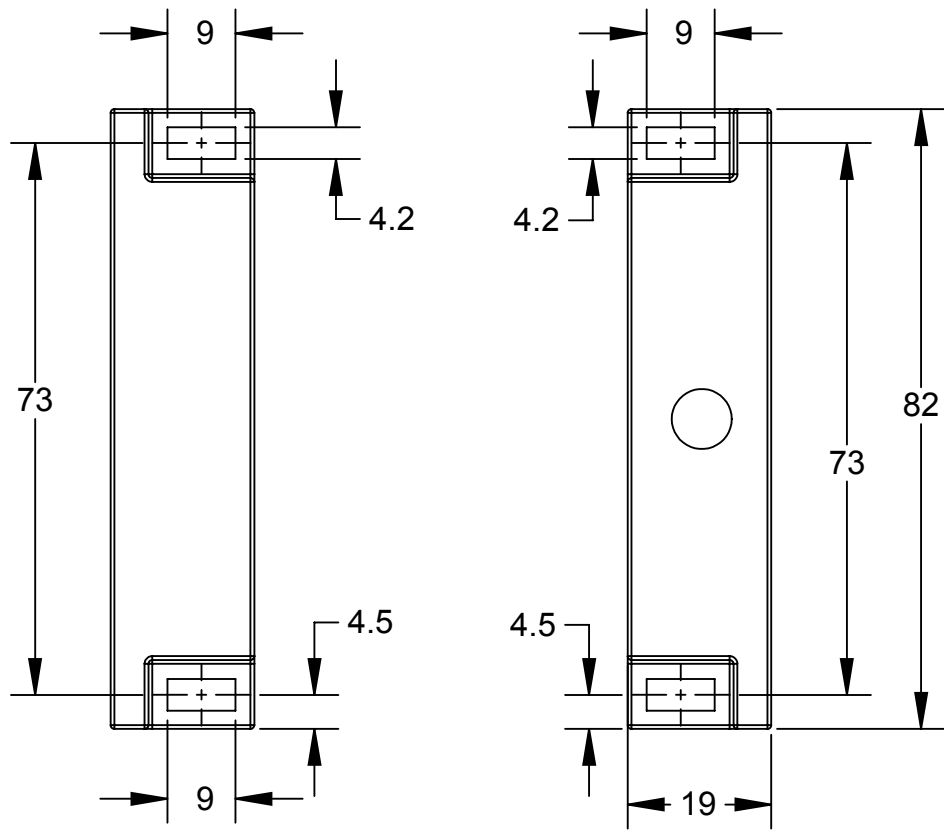
Table 1: Wiring Information

M12 5-Pin Connector Mate	Sipha Sensor Cable
1510-1312017-05	
1	Black
2	Blue
3	Red
4	White
5 (N/C)	Yellow (N/C)
	Green (N/C)

Signal Legend
V+ or N/C
V+ or TSI In
Relay Control or TSI Out
TSIV or N/C
N/C



9120-TSL-SS-7510



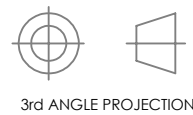
Actuator Dimensions

Notes:

- Sensing range - Make .35" (9mm) - Break .47" (12mm).
- For TSI on Master control modules additional actuators needed for each tool - ATI part 9120-TSL-SS-7509
- Customer to provide M4 SHCS mounting fasteners and torque to 1.0 Nm Max (8.9 in-lbs).

NOTES: UNLESS OTHERWISE SPECIFIED.

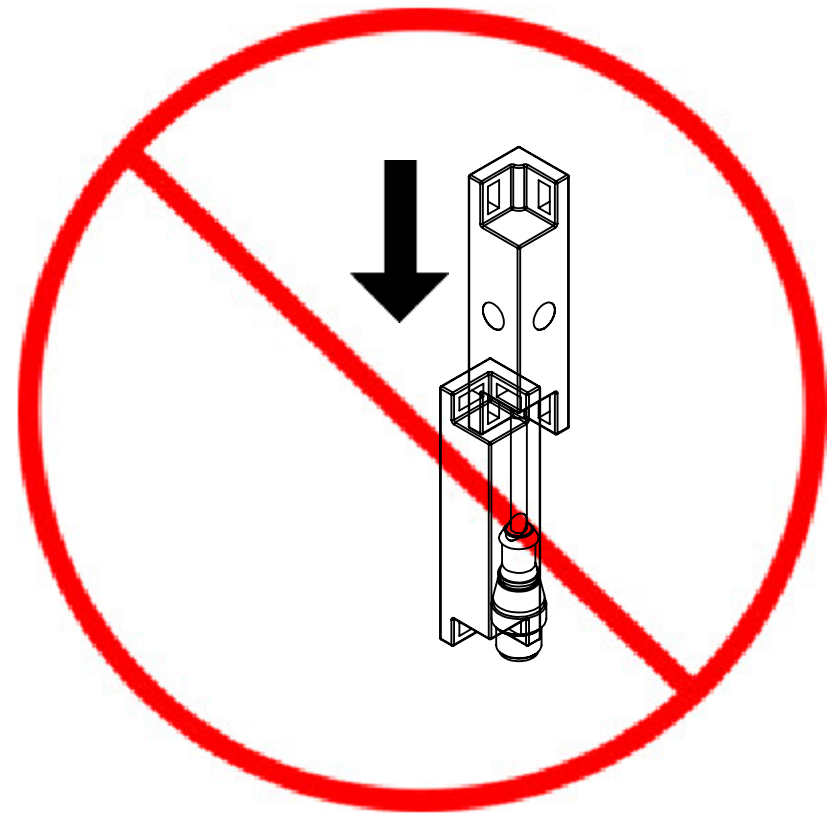
DO NOT SCALE DRAWING. ALL DIMENSIONS ARE IN MILLIMETERS.



1031 Goodworth Drive, Apex, NC 27539, USA
 Tel: +1.919.772.0115 Email: info@ati-ia.com
 Fax: +1.919.772.8259 www.ati-ia.com
 ISO 9001 Registered Company

PROPERTY OF ATI INDUSTRIAL AUTOMATION, INC. NOT TO BE REPRODUCED IN ANY MANNER EXCEPT ON ORDER OR WITH PRIOR WRITTEN AUTHORIZATION OF ATI.

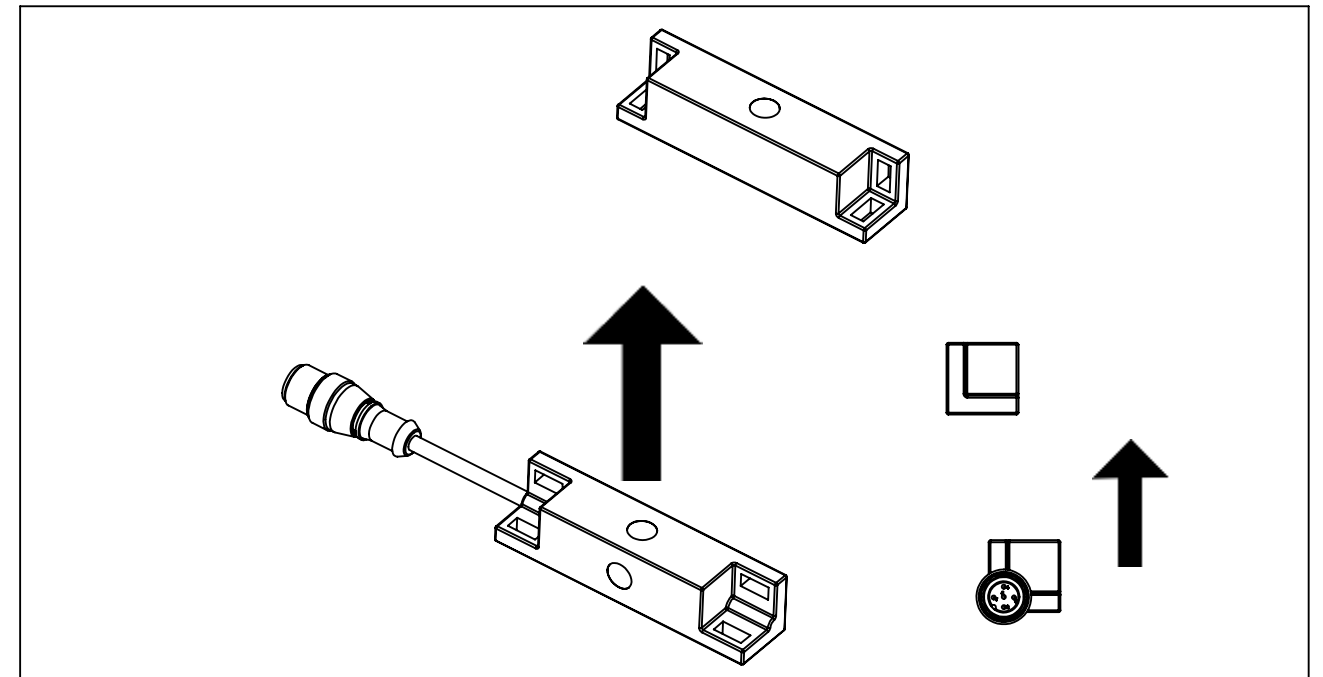
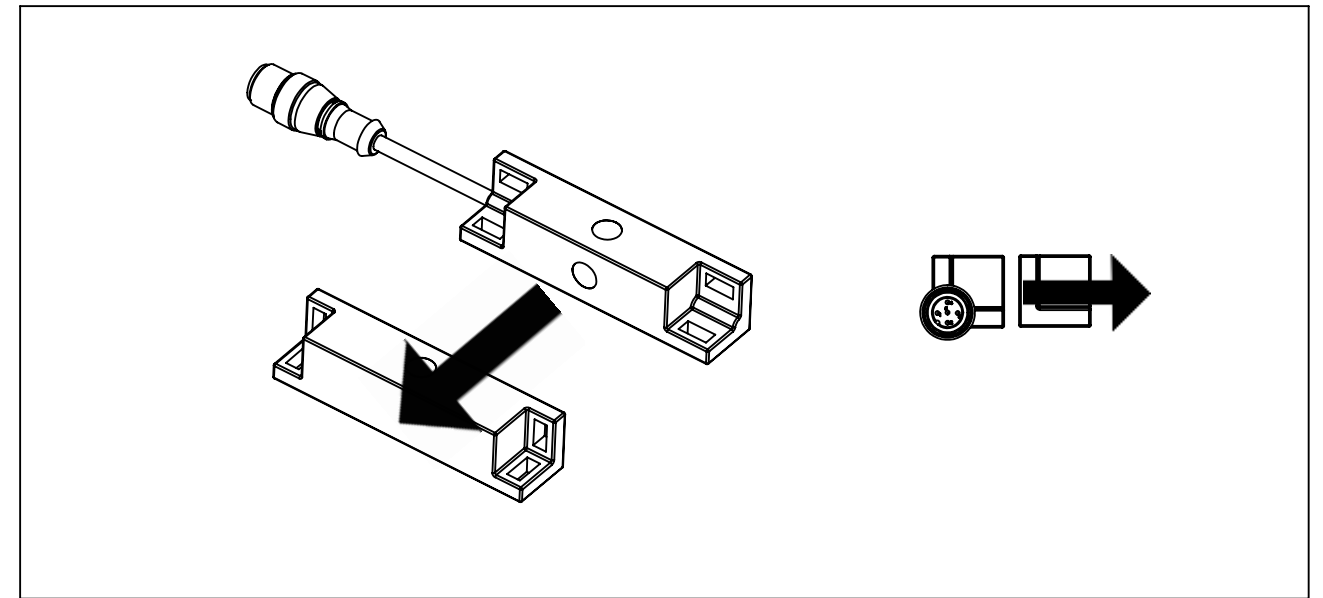
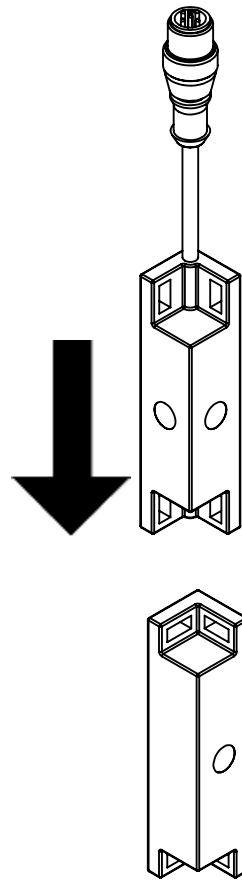
DRAWN BY: J. Winterroth, 2/17/14		TITLE	
CHECKED BY: D. Norton, 2/18/14		Direct Mount Sipha Sensor and Actuator Supporting TSI in/Out and TSIV, 1m Cable Length	
PROJECT # -	SHEET 1 OF 2	SCALE	REVISION
		1:1	07
		SIZE	
		B	
		DRAWING NUMBER	
		9630-20-TSL-SS-7510	



Incorrect approach direction



Correct approach directions



NOTES: UNLESS OTHERWISE SPECIFIED.

DO NOT SCALE DRAWING. ALL DIMENSIONS ARE IN MILLIMETERS.



3rd ANGLE PROJECTION



1031 Goodworth Drive, Apex, NC 27539, USA
 Tel: +1.919.772.0115 Email: info@ati-ia.com
 Fax: +1.919.772.8259 www.ati-ia.com
 ISO 9001 Registered Company

PROPERTY OF ATI INDUSTRIAL AUTOMATION, INC. NOT TO BE REPRODUCED IN ANY MANNER EXCEPT ON ORDER OR WITH PRIOR WRITTEN AUTHORIZATION OF ATI.

DRAWN BY: J. Winterroth, 2/17/14		TITLE			REVISION
CHECKED BY: D. Norton, 2/18/14		Direct Mount Sipa Sensor and Actuator Supporting TSI in/Out and TSIV, 1m Cable Length			
PROJECT # -	SHEET 2 OF 2	SCALE	SIZE	DRAWING NUMBER	
		1:2	B	9630-20-TSL-SS-7510	07