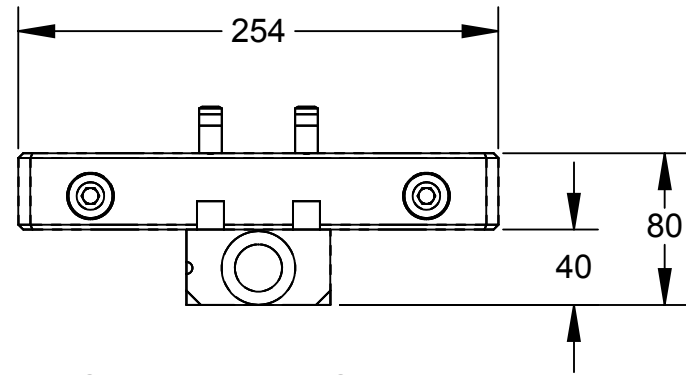
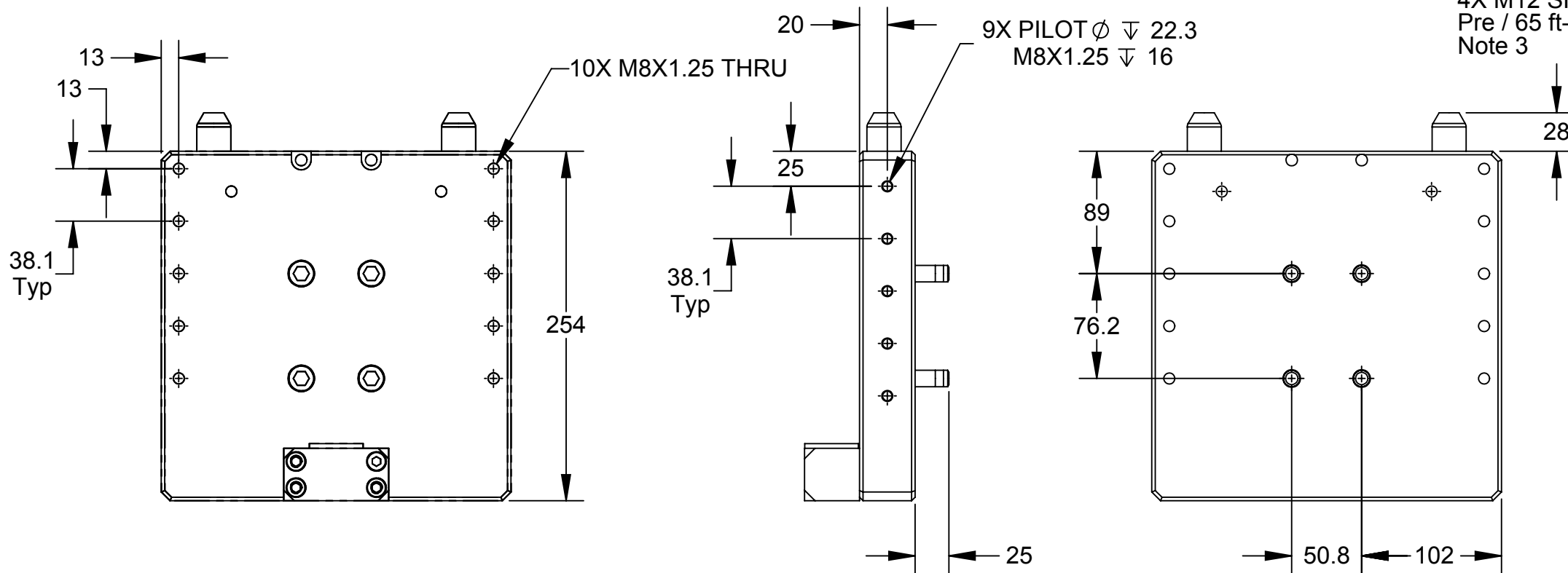
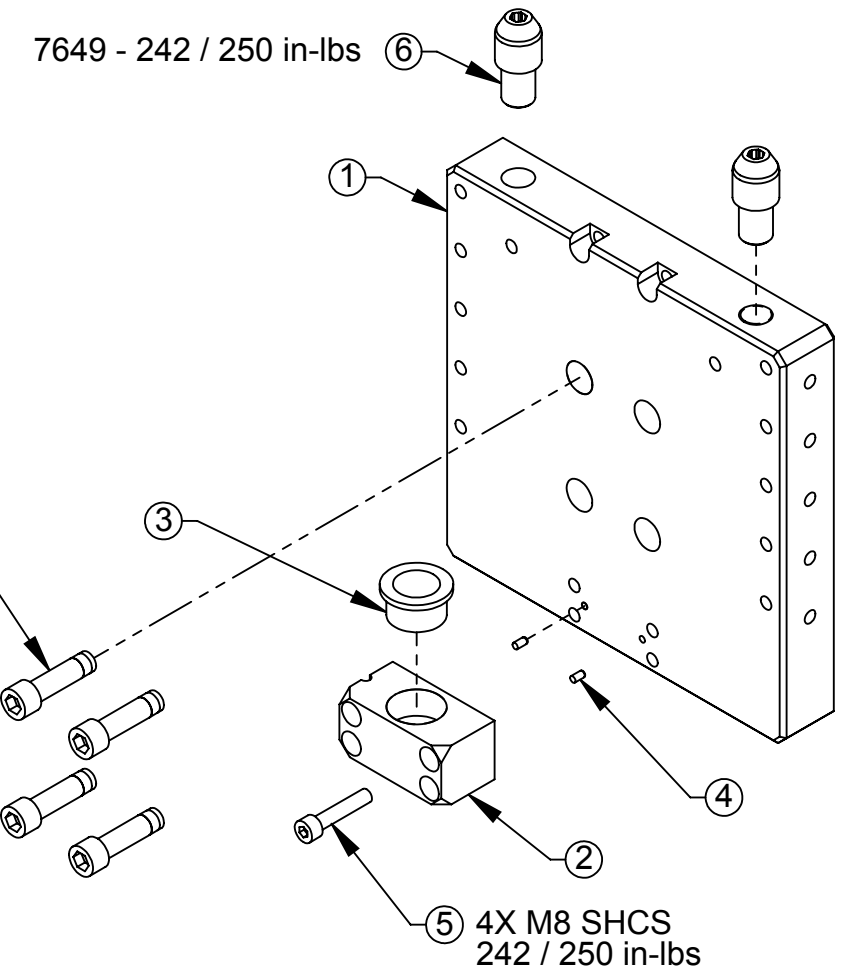


Rev.	Description	Initiator	Date
04	Eco 15352; Added Note 3. Changed M12 to Pre-applied.	LJH	2/23/17



Sensor Bracket Shown

Serviceable Items			
ITEM NO.	QTY.	PART NUMBER	DESCRIPTION
3	1	3710-20-1028	Large Tool Stand Bronze Bushing
6	2	3700-20-3323	QC Tool Stand Alignment Pin



ITEM NO.	QTY.	PART NUMBER	DESCRIPTION
1	1	9120-TSL-RMB-R000	TSL Pin & Bushing Module, Rigid

- Notes:
1. Assembly Weight: 17 lbs.
 2. Serviceable component materials: Hardened Stainless Steel alignment pins and Bronze bushing.
 3. If pre-applied screw is installed more than once, apply Loctite 242.

NOTES: UNLESS OTHERWISE SPECIFIED.
DO NOT SCALE DRAWING. ALL DIMENSIONS ARE IN MILLIMETERS.



1031 Goodworth Drive, Apex, NC 27539, USA
Tel: +1.919.772.0115 Email: info@ati-ia.com
Fax: +1.919.772.8259 www.ati-ia.com
ISO 9001 Registered Company

PROPERTY OF ATI INDUSTRIAL AUTOMATION, INC. NOT TO BE REPRODUCED IN ANY MANNER EXCEPT ON ORDER OR WITH PRIOR WRITTEN AUTHORIZATION OF ATI.



3rd ANGLE PROJECTION

DRAWN BY: E. Donkor 12/19/2013		TITLE	
CHECKED BY: J. Winterroth, 1/10/14		TSL Pin & Bushing Module, Rigid	
PROJECT # -	SHEET 1 OF 1	SCALE	SIZE
		1:4	B
DRAWING NUMBER		REVISION	
9630-20-TSL-RMB-R000		04	