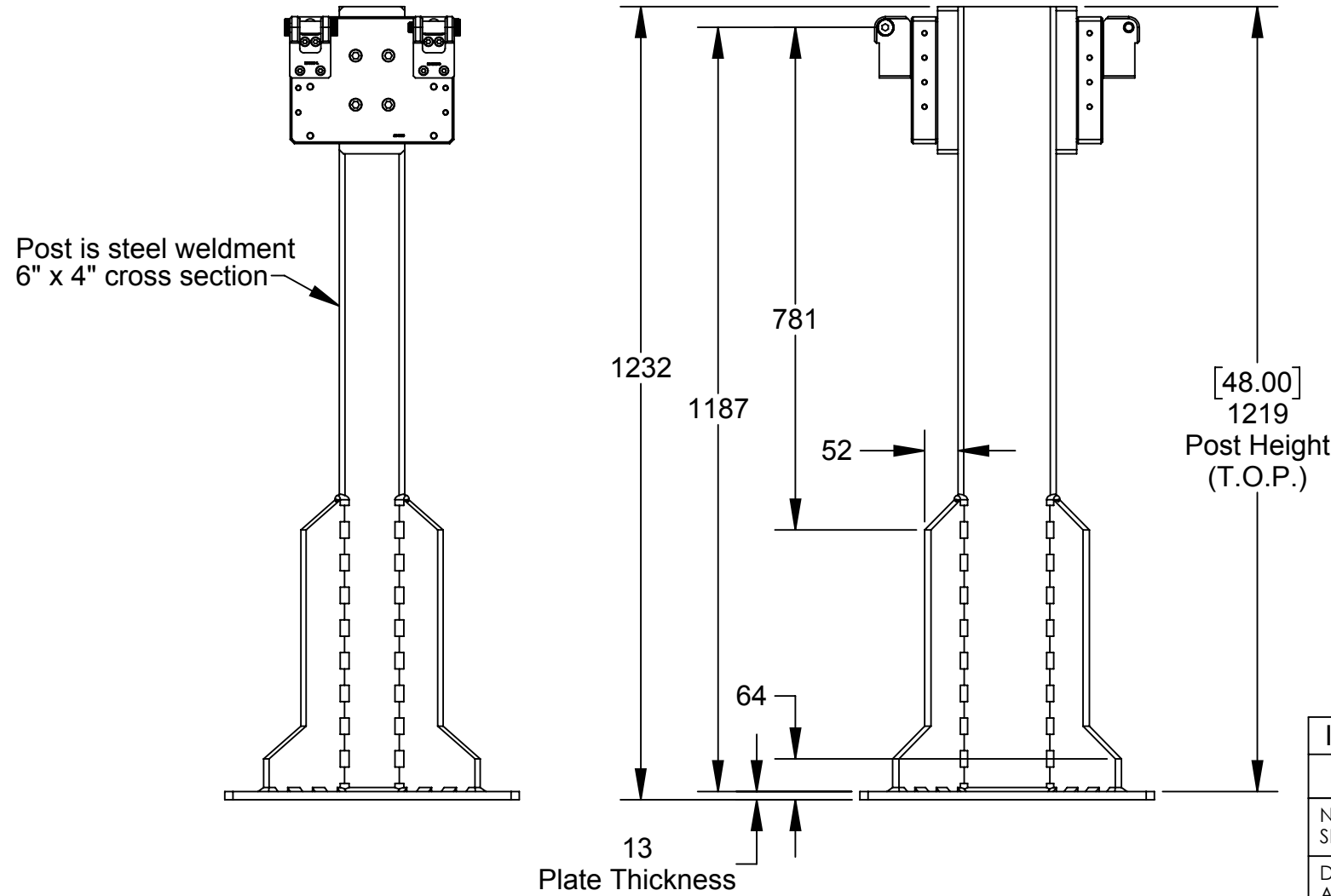
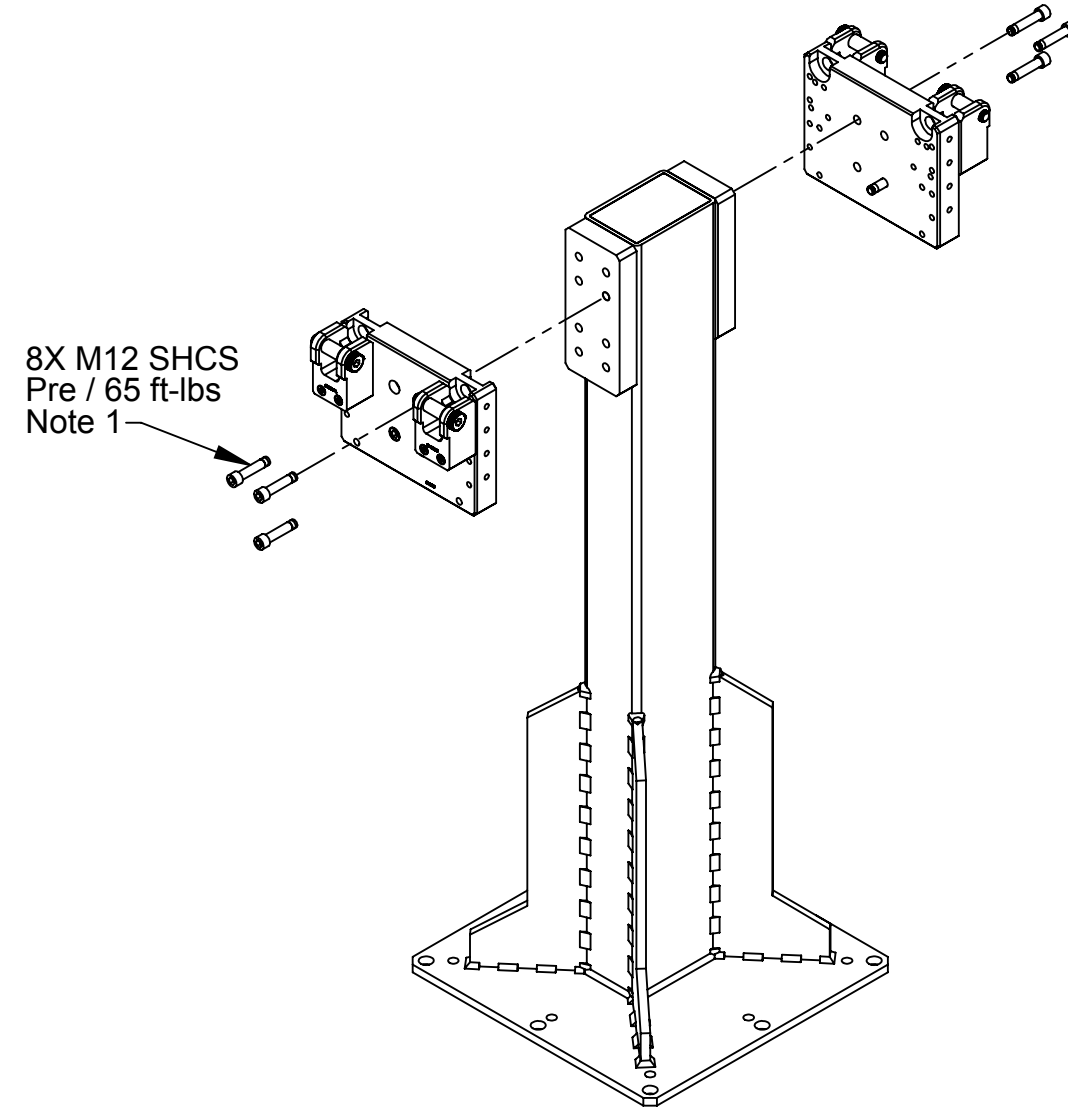
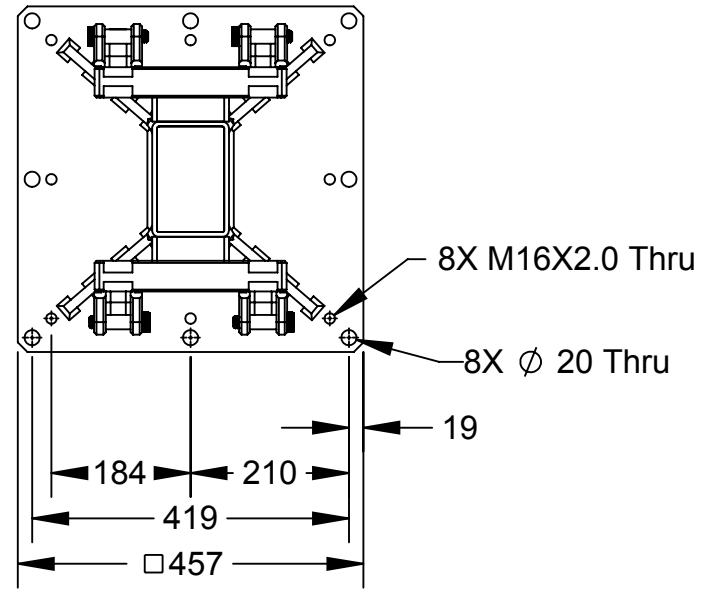



Rev.	Description	Initiator	Date
01	Initial Drawing	ERDO	10/29/2013
02	Eco. 16501; Replaced 242 with Pre for 3500-1072055-15A. Revised Note 1	DS	3/6/2018



ITEM NO.	QTY.	PART NUMBER	DESCRIPTION
1	1	9120-TSL-PM-248H-R000	TSL Post Module, (2) Rigid Hook Modules, 48" Tall
NOTES: UNLESS OTHERWISE SPECIFIED.		 <p>1031 Goodworth Drive, Apex, NC 27539, USA Tel: +1.919.772.0115 Email: info@ati-ia.com Fax: +1.919.772.8259 www.ati-ia.com ISO 9001 Registered Company</p> <p>PROPERTY OF ATI INDUSTRIAL AUTOMATION, INC. NOT TO BE REPRODUCED IN ANY MANNER EXCEPT ON ORDER OR WITH PRIOR WRITTEN AUTHORIZATION OF ATI.</p>	
DO NOT SCALE DRAWING. ALL DIMENSIONS ARE IN MILLIMETERS.			
DRAWN BY: E. Donkor 10/29/2013		TITLE	
CHECKED BY: J. Winterroth, 1/06/14		TSL Post Module, (2) Rigid Hook Modules, 48" Tall	
PROJECT # - SHEET 1 OF 1		SCALE	REVISION
		1:10	02
		SIZE	DRAWING NUMBER
		B	9630-20-TSL-PM-248H-R000

Notes:

1. Customer to install pre-applied fasteners and torque to listed torque value.

