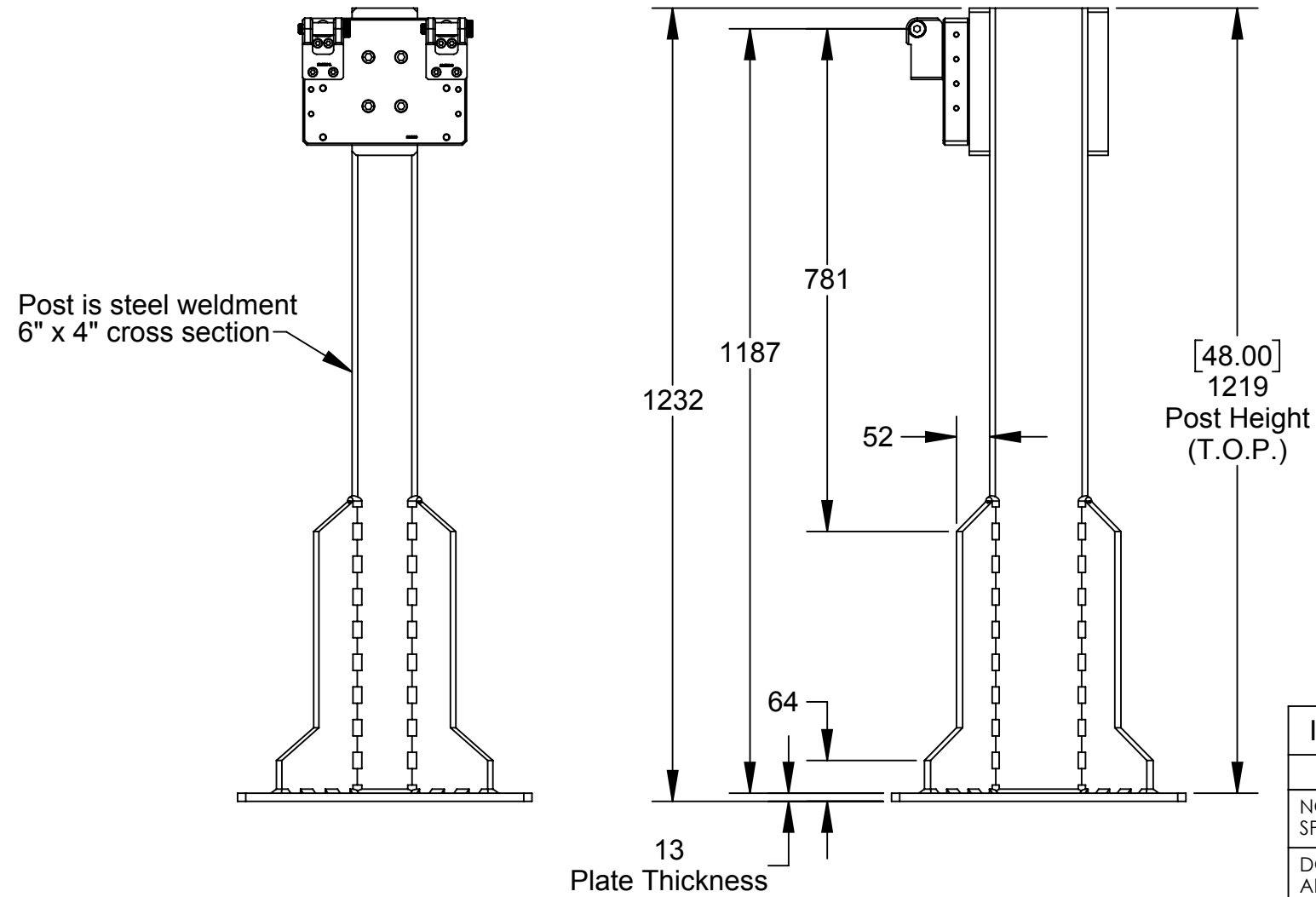
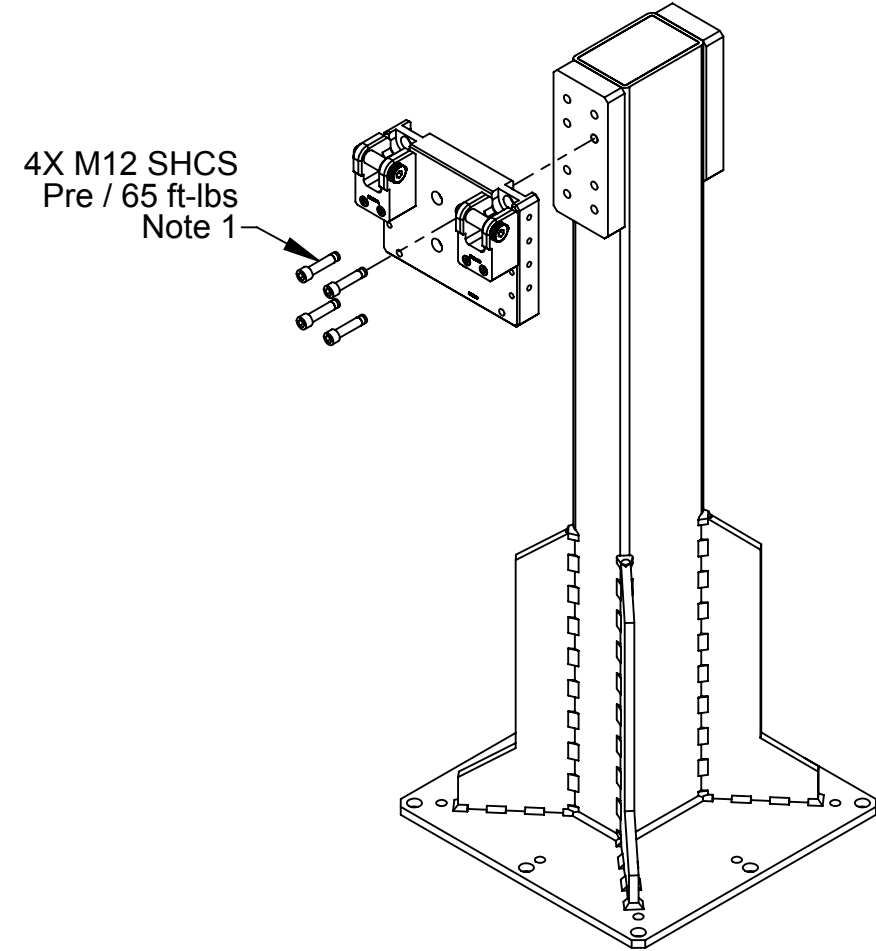
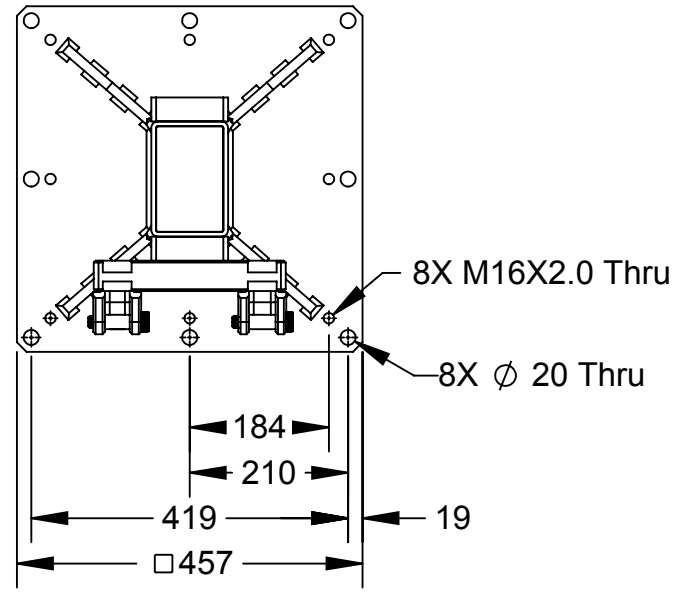


Rev.	Description	Initiator	Date
02	Eco 16501; Replaced 242 with Pre for 3500-1072055-15A. Revised Note 1	DS	3/6/2018



ITEM NO.	QTY.	PART NUMBER	DESCRIPTION
1	1	9120-TSL-PM-148H-R000	TSL Post Module, (1) Rigid Hook Module, 48" Tall

NOTES: UNLESS OTHERWISE SPECIFIED.
DO NOT SCALE DRAWING. ALL DIMENSIONS ARE IN MILLIMETERS.

ATI INDUSTRIAL AUTOMATION

1031 Goodworth Drive, Apex, NC 27539, USA
Tel: +1.919.772.0115 Email: info@ati-ia.com
Fax: +1.919.772.8259 www.ati-ia.com
ISO 9001 Registered Company

PROPERTY OF ATI INDUSTRIAL AUTOMATION, INC. NOT TO BE REPRODUCED IN ANY MANNER EXCEPT ON ORDER OR WITH PRIOR WRITTEN AUTHORIZATION OF ATI.

DRAWN BY: E. Donkor 10/29/2013		TITLE	
CHECKED BY: J. Winterroth, 1/06/14		TSL Post Module, (1) Rigid Hook Module, 48" Tall	
PROJECT # -	SHEET 1 OF 1	SCALE	SIZE
		1:10	B
		DRAWING NUMBER	REVISION
		9630-20-TSL-PM-148H-R000	02

Notes:
1. Customer to install pre-applied fasteners and torque to listed torque value.

