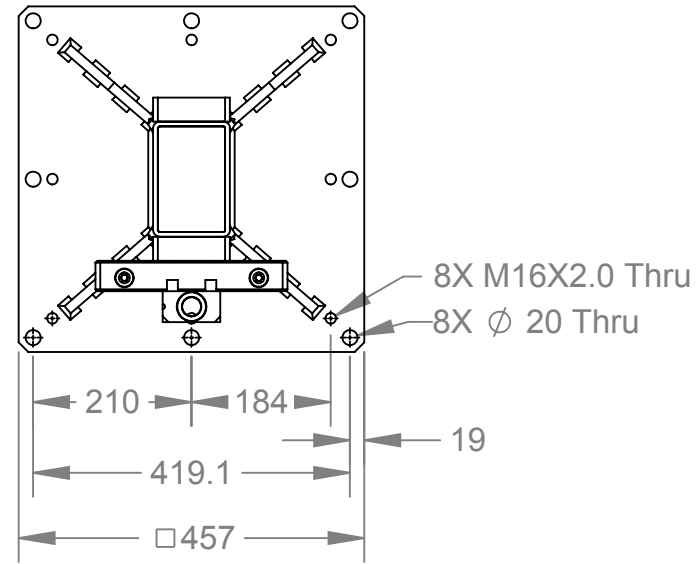
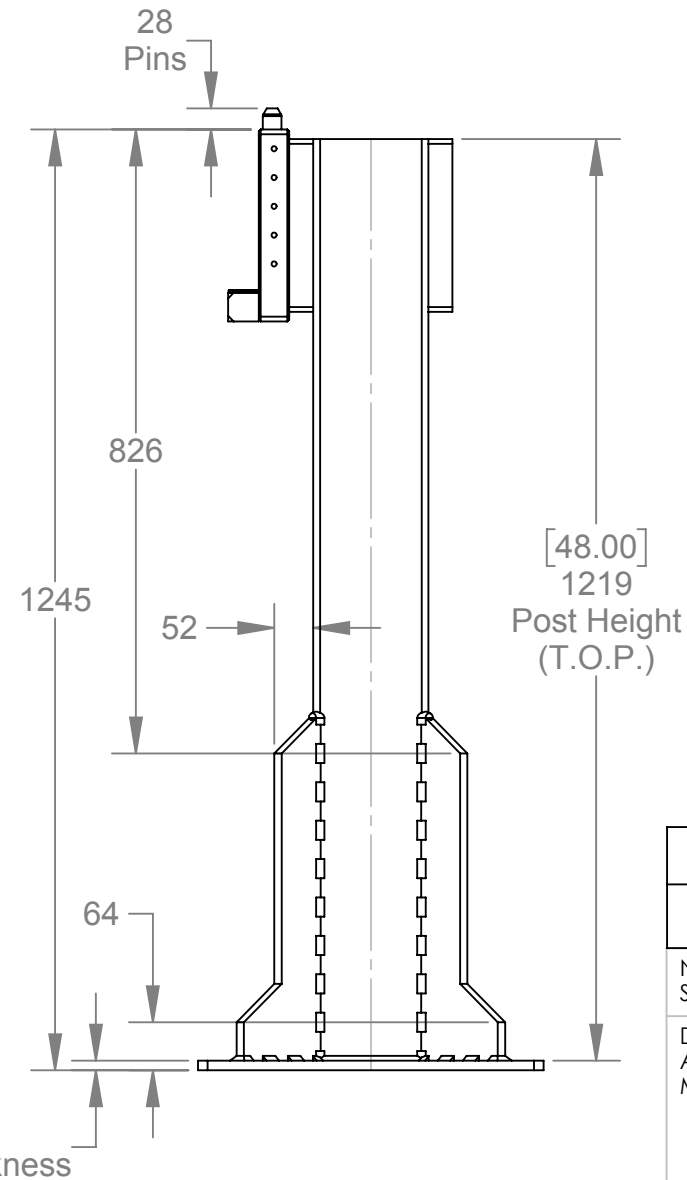
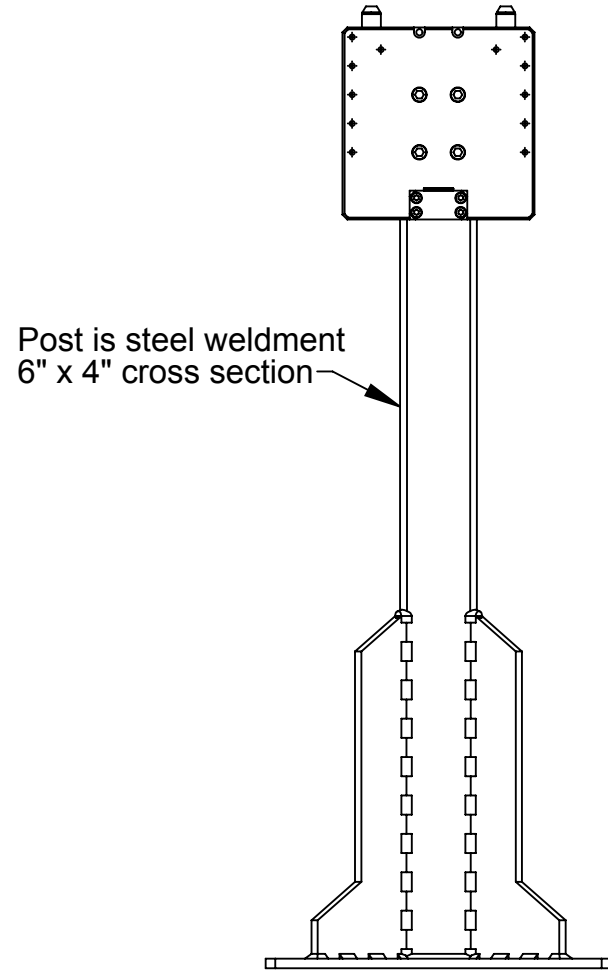
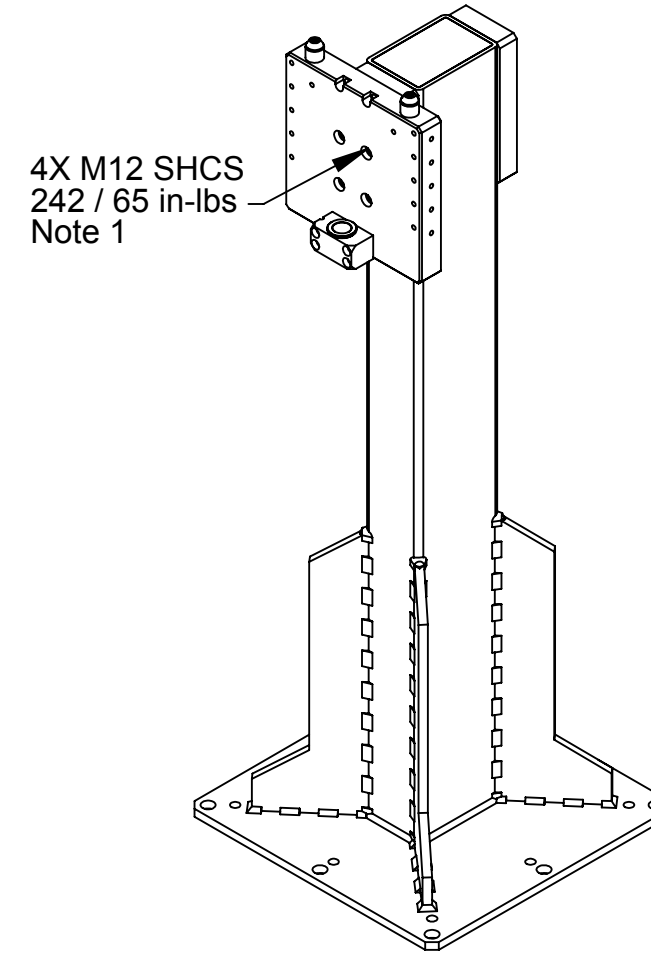


Rev.	Description	Initiator	Date
02	ECO 14108; Updated to show latest 9120-TSL-RMB-R000 (removed 3700-20-5537 bracket & fasteners) and to remove Note 2 (instructions for bracket & fasteners)	SZJ	3/16/2016



**Base Mounting Dimensions**



ITEM NO.	QTY.	PART NUMBER	DESCRIPTION
1	1	9120-TSL-PM-148B-R000	TSL Post Module, (1) Rigid Pin & Bushing Module, 48" Tall

NOTES: UNLESS OTHERWISE SPECIFIED.

DO NOT SCALE DRAWING. ALL DIMENSIONS ARE IN MILLIMETERS.



1031 Goodworth Drive, Apex, NC 27539, USA  
Tel: +1.919.772.0115 Email: info@ati-ia.com  
Fax: +1.919.772.8259 www.ati-ia.com  
ISO 9001 Registered Company

PROPERTY OF ATI INDUSTRIAL AUTOMATION, INC. NOT TO BE REPRODUCED IN ANY MANNER EXCEPT ON ORDER OR WITH PRIOR WRITTEN AUTHORIZATION OF ATI.

DRAWN BY: E. Donkor 10/29/2013

CHECKED BY: J. Winterroth, 1/06/14

TITLE  
TSL Post Module, (1) Rigid Pin & Bushing Module, 48" Tall



3rd ANGLE PROJECTION

PROJECT # - SHEET 1 OF 1

SCALE	SIZE	DRAWING NUMBER	REVISION
1:10	B	9630-20-TSL-PM-148B-R000	02

- Notes:
- Customer to use Loctite or similar thread locker and torque fasteners to listed torque value.