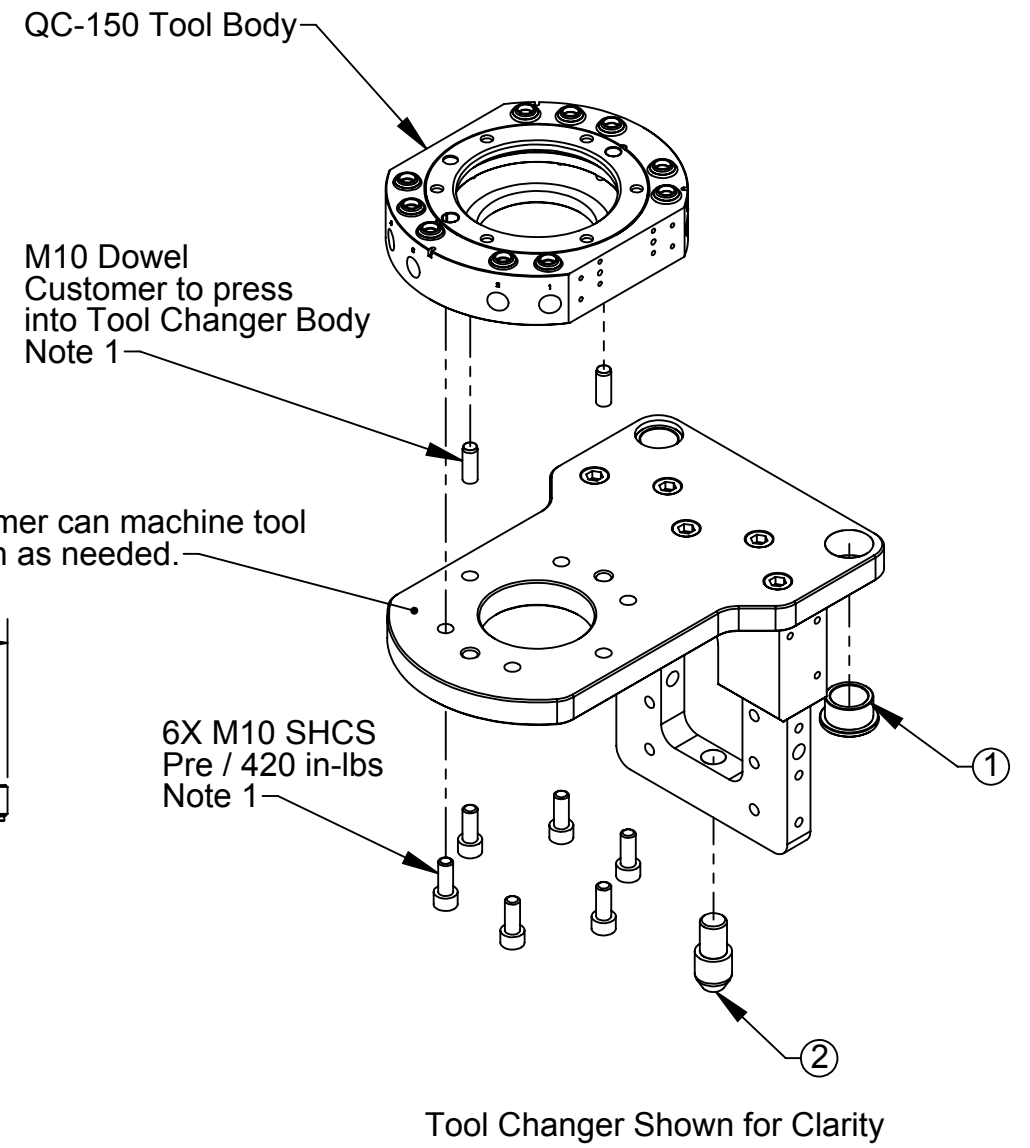
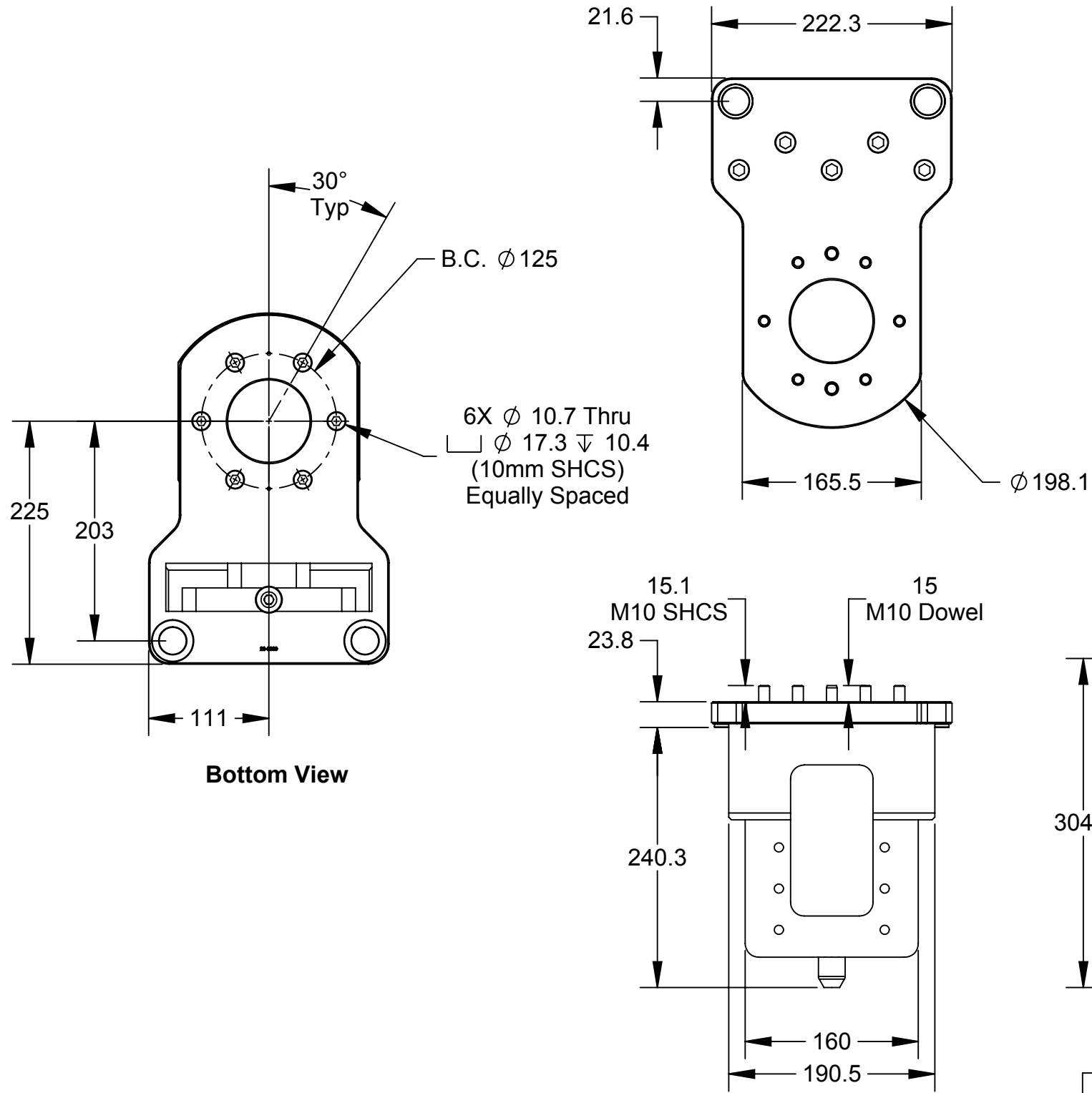
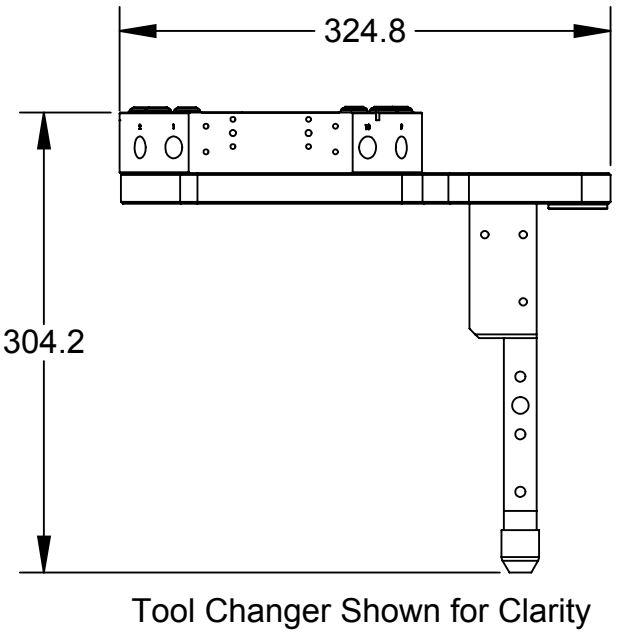


Rev.	Description	Initiator	Date
01	Initial Drawing	ERDO	1/3/2014
02	ECO 12417: Added 'Serviceable Items' Table	DBoh	7/24/2014



Serviceable Items			
ITEM NO.	QTY.	PART NUMBER	DESCRIPTION
1	2	3710-20-1028	Large Tool Stand Bronze Bushing
2	1	3700-20-3323	QC Tool Stand Alignment Pin

- Notes:
- Fasteners & dowels shipped loose. To be installed by customer
 - Plate material: 6061-T6 Aluminum, soft coat black anodize.



ITEM NO.	QTY.	PART NUMBER	DESCRIPTION
1	1	9120-TSL-HBQ-8389	TSL Tooling Interface Plate for QC-150 - Blank

NOTES: UNLESS OTHERWISE SPECIFIED.
DO NOT SCALE DRAWING. ALL DIMENSIONS ARE IN MILLIMETERS.

ATI INDUSTRIAL AUTOMATION

1031 Goodworth Drive, Apex, NC 27539, USA
Tel: +1.919.772.0115 Email: info@ati-ia.com
Fax: +1.919.772.8259 www.ati-ia.com
ISO 9001 Registered Company

PROPERTY OF ATI INDUSTRIAL AUTOMATION, INC. NOT TO BE REPRODUCED IN ANY MANNER EXCEPT ON ORDER OR WITH PRIOR WRITTEN AUTHORIZATION OF ATI.

DRAWN BY: E. Donkor 01/03/2014	TITLE
CHECKED BY: J. Winterroth, 1/09/14	TSL Tooling Interface Plate for QC-150 - Blank
PROJECT # -	SHEET 1 OF 1
SCALE 1:5	SIZE B
DRAWING NUMBER 9630-20-TSL-HBQ-8389	REVISION 02

