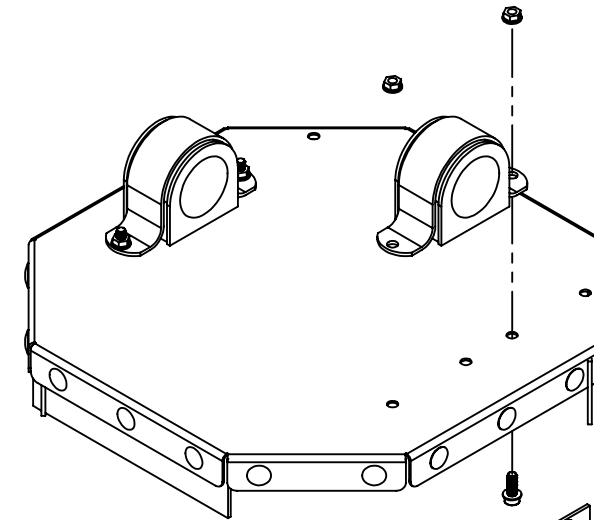
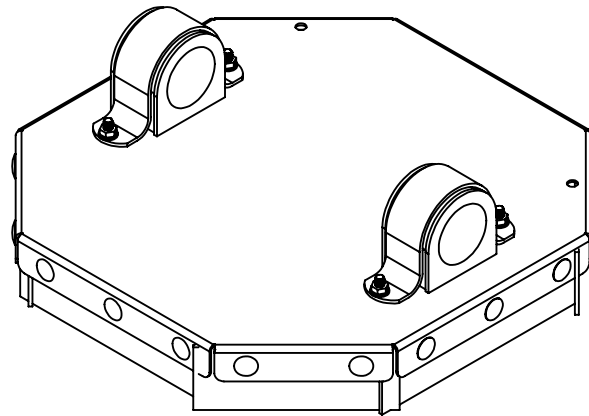
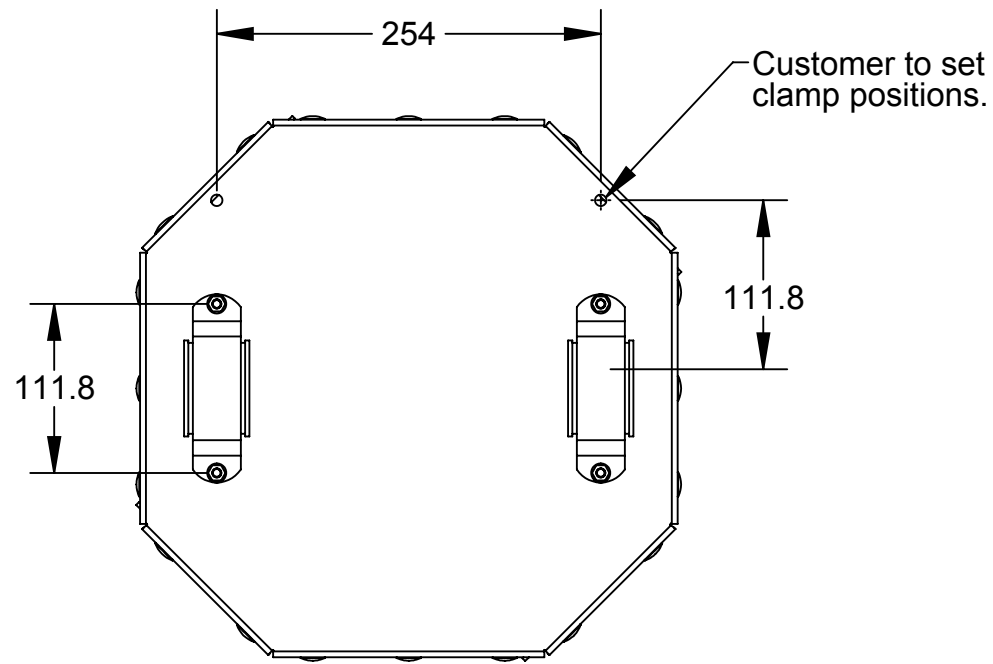


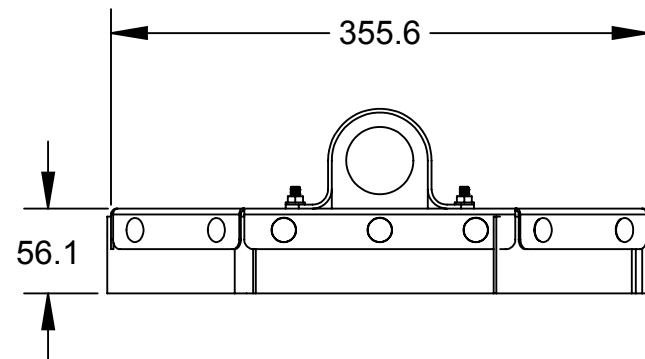
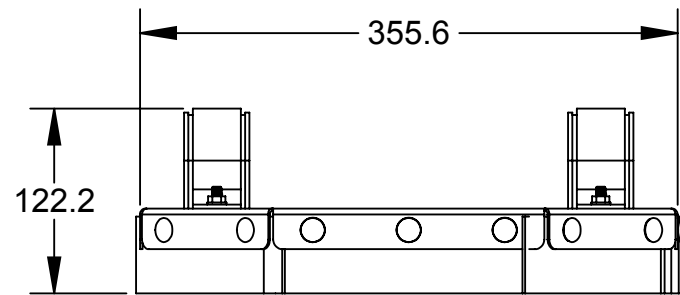
Rev.	Description	Initiator	Date
02	ECO 17201: Updated drawing for change to 9120-TSL-DS-14-W3337 sub-assembly skirts (shortened skirts from 4" to 2").	TBC	10/11/2018



4X M6 SHCS
222 / 80 in-lbs
Note 2

9005-20-2190
TSL Weld Curtain Shield, 3 snaps, 2" Tall
(Replaceable part)

9005-20-2189
TSL Weld Curtain Shield, 2 snaps, 2" Tall
(Replaceable part)



ITEM NO.	QTY.	PART NUMBER	DESCRIPTION
1	1	9120-TSL-DS-14-W3337	TSL Debris Shield, 14" Wide, Weld Curtain

NOTES: UNLESS OTHERWISE SPECIFIED.

DO NOT SCALE DRAWING. ALL DIMENSIONS ARE IN MILLIMETERS.



1031 Goodworth Drive, Apex, NC 27539, USA
Tel: +1.919.772.0115 Email: info@ati-ia.com
Fax: +1.919.772.8259 www.ati-ia.com
ISO 9001 Registered Company

PROPERTY OF ATI INDUSTRIAL AUTOMATION, INC. NOT TO BE REPRODUCED IN ANY MANNER EXCEPT ON ORDER OR WITH PRIOR WRITTEN AUTHORIZATION OF ATI.

Notes:

- Debris shield is shipped assembled. Customer to determine final configuration.
- Customer to use Loctite or similar thread locker and torque to listed torque value.



3rd ANGLE PROJECTION

DRAWN BY: J. Winterroth, 2/18/14		TITLE	
CHECKED BY: D. Norton, 2/18/14		TSL Debris Shield, 14" Wide, Weld Curtain	
PROJECT # -	SHEET 1 OF 1	SCALE	SIZE
		1:5	B
DRAWING NUMBER		REVISION	
9630-20-TSL-DS-14-W3337		02	