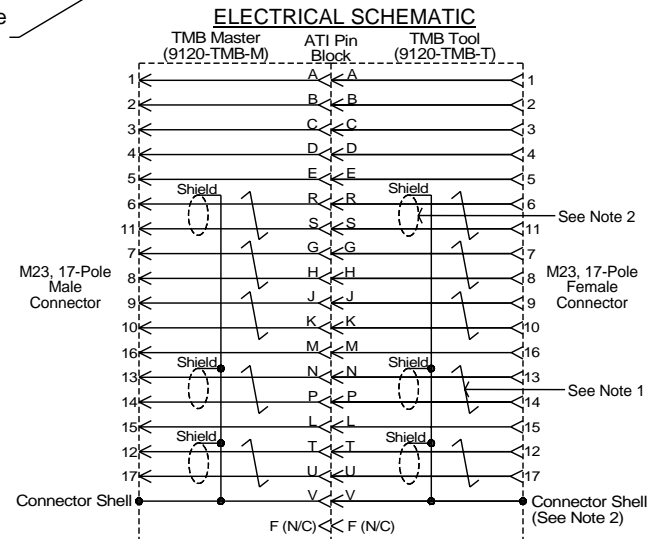
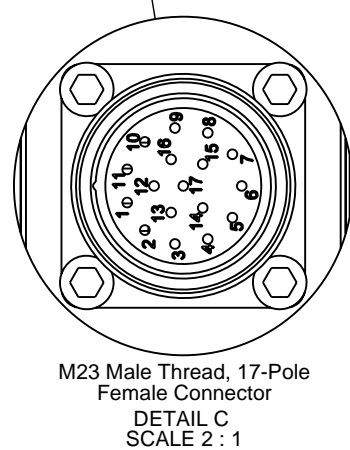
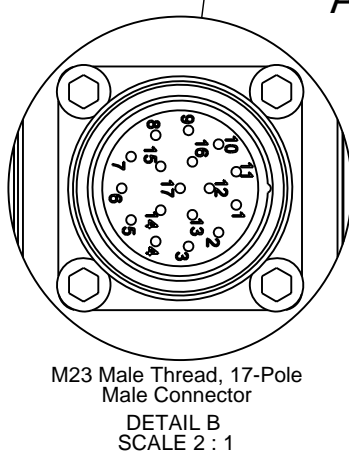
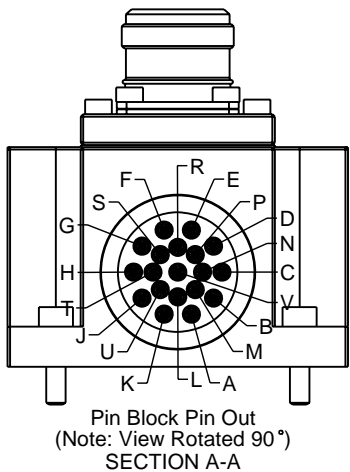
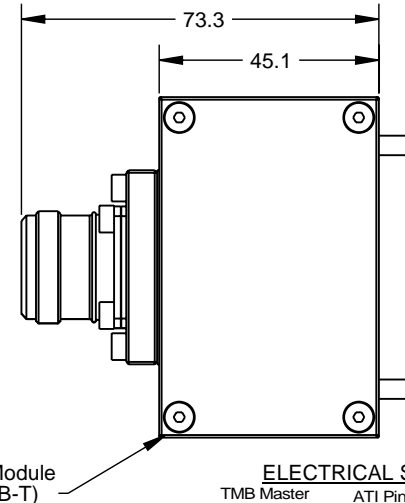
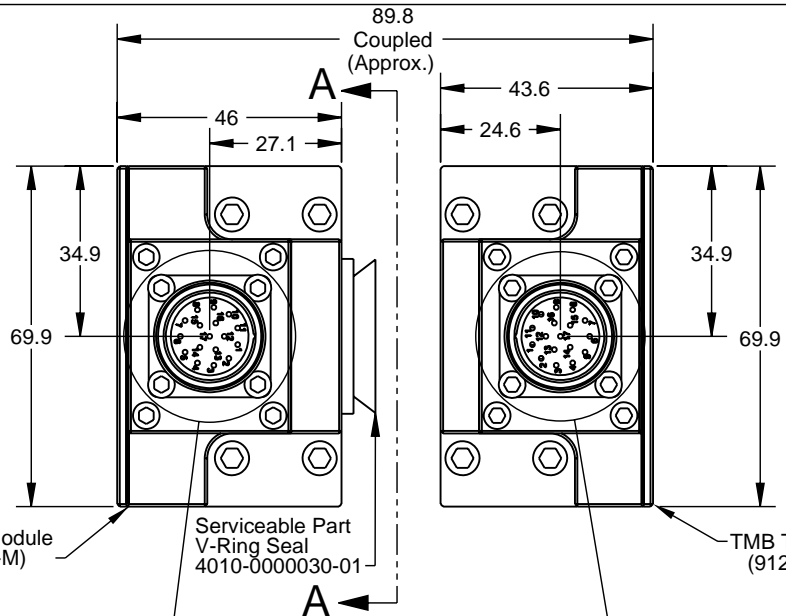
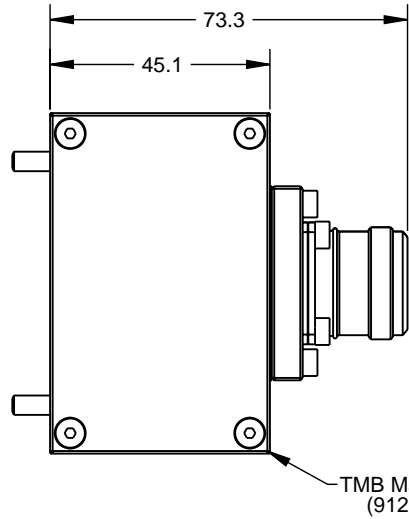


PROPERTY OF ATI INDUSTRIAL AUTOMATION, INC.  
 NOT TO BE REPRODUCED IN ANY MANNER EXCEPT ON  
 ORDER OR WITH PRIOR WRITTEN AUTHORIZATION OF ATI.

Rev.	Description	Initiator	Date
01	Initial design.	WB	10/2/2009
02	Added current and voltage specifications to Notes.	WB	10/16/2009



- Notes:
- Twisted wire pairs are maintained through the Master and Tool on pins 6-11, 7-8, 9-10, 12-17, and 13-14.
  - Twisted wire pairs 6-11, 12-17, and 13-14 are shielded. The individual wire pair shields are connected to the shell of the 17-Pole Connectors on both the Master and Tool. The shield is passed from Master to Tool on Pin V of the 19-Pin Pin Block.
  - The TMB Modules are rated to 5A maximum current, 150V maximum voltage. DANGER! - For electrical modules using > 60 VDC or 42 VAC, NO contact should be attempted before removing power. This especially includes separation or insertion of the mating connectors or any contact with the tool changer or its components.
  -

NOTES: UNLESS OTHERWISE SPECIFIED  
 DO NOT SCALE DRAWING. DRAWN IN SOLIDWORKS.  
 ALL DIMENSIONS ARE IN MILLIMETERS.

1031 Goodworth Drive, Apex, NC 27539, USA  
 Tel: +1.919.772.0115 Email: info@ati-ia.com  
 Fax: +1.919.772.8259 www.ati-ia.com  
 ISO 9001 Registered Company

DRAWN BY: W. Berrocal, 10/02/09		TITLE: TMB Module Drawing	
CHECKED BY: D. Mushow, 10/02/09		SCALE: 1:1	DRAWING NUMBER: 9630-20-TMB-02
WEIGHT LBS: -----		SIZE: B	PRODUCT RELEASE # 090407-1 DATE: SHEET 1 OF 1
ASSEMBLY REF:			

