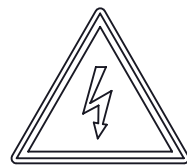
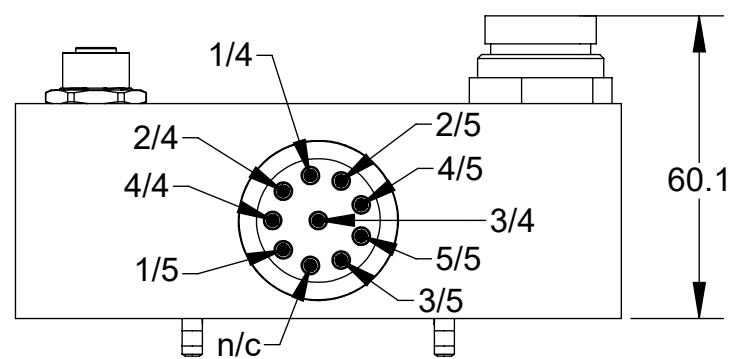
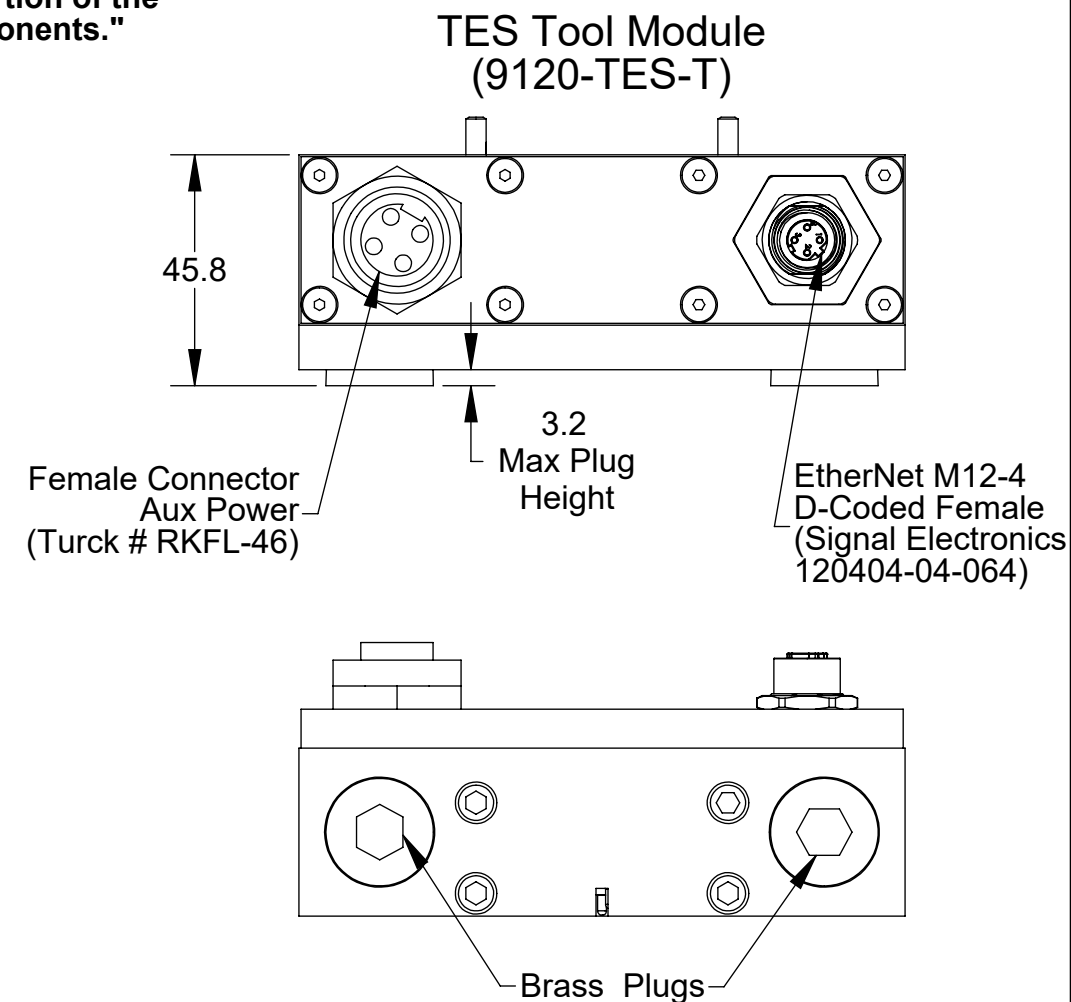
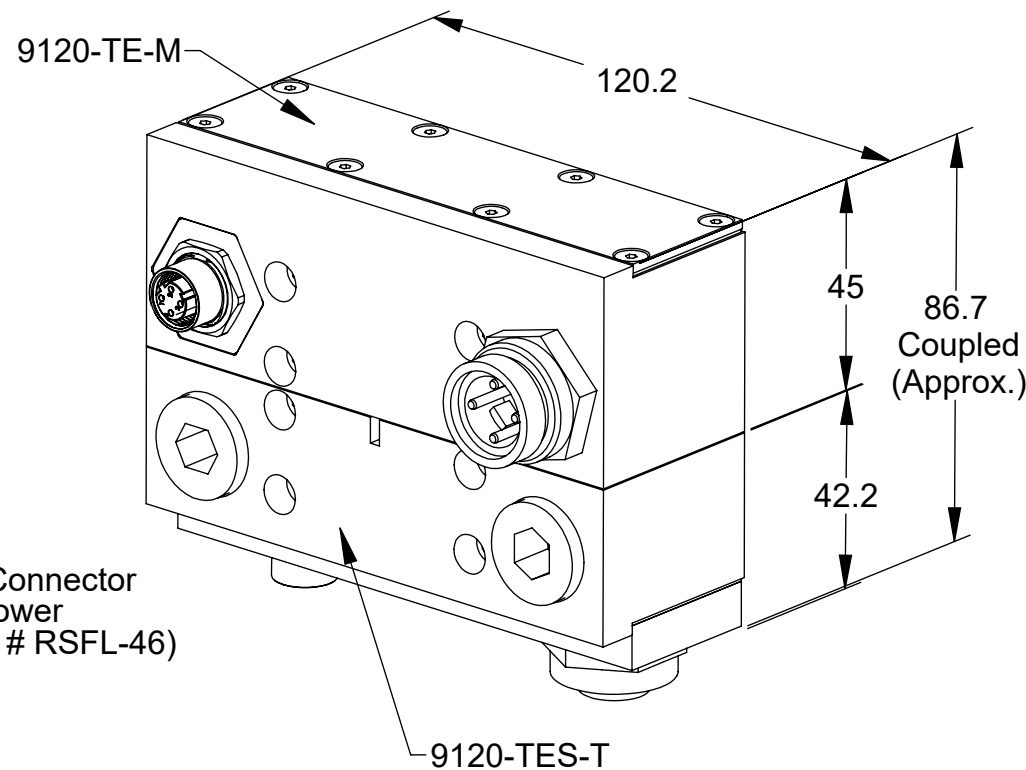
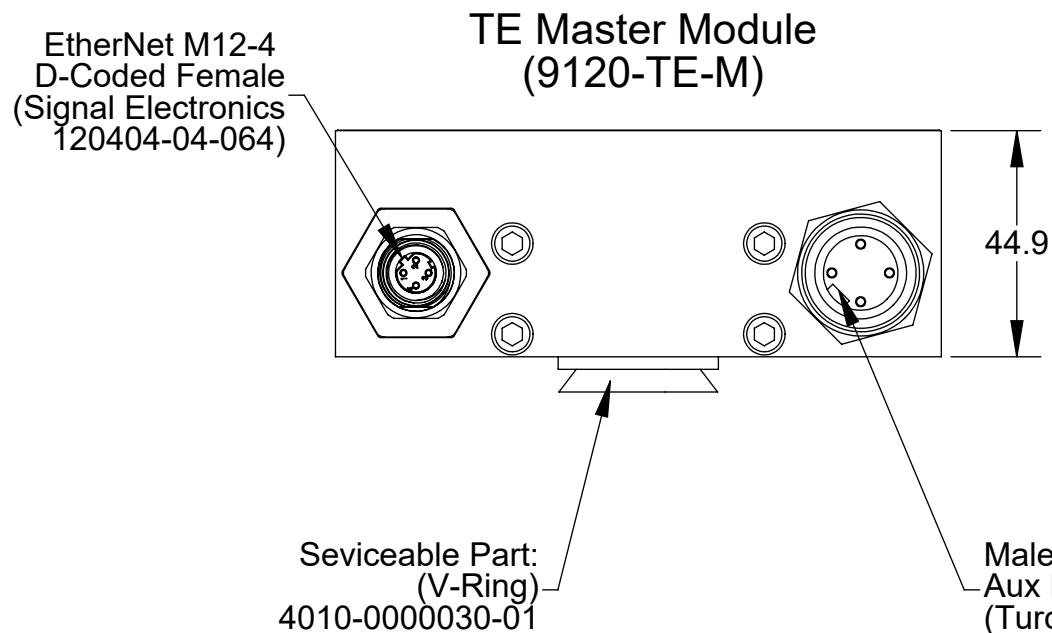


Rev.	Description	Initiator	Date
05	ECO 19835: Changed Ethernet M12-4 D-Coded Female Connector. Added "Electrical Shock Hazard" Label.	TBC	7/16/2021



" DANGER!" - Electrical Shock Hazard

This module has a Voltage of 50V or greater, NO contact should be attempted before removing power. This especially includes separation or insertion of the mating connectors or any contact with the tool changer or its components."



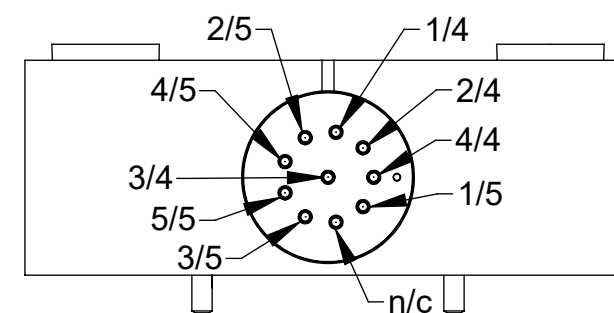
TE Pin Out

TE Master	TE Tool
1/5	1/5
2/5	2/5
3/5	3/5
4/5	4/5
shield	shield
1/4	1/4
2/4	2/4
3/4	3/4
4/4	4/4

EtherNet M12-4 EtherNet M12-4

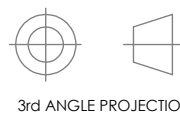
1/4	1/4
2/4	2/4
3/4	3/4
4/4	4/4

RKFL-46 RKFL-46



NOTES: UNLESS OTHERWISE SPECIFIED.

DO NOT SCALE DRAWING. ALL DIMENSIONS ARE IN MILLIMETERS.



3rd ANGLE PROJECTION



1031 Goodworth Drive, Apex, NC 27539, USA
 Tel: +1.919.772.0115 www.ati-ia.com
 Fax: +1.919.772.8259 ISO 9001 Registered Company

PROPERTY OF ATI INDUSTRIAL AUTOMATION, INC. NOT TO BE REPRODUCED IN ANY MANNER EXCEPT ON ORDER OR WITH PRIOR WRITTEN AUTHORIZATION OF ATI.

DRAWN BY: J. Williams, 5/30/07		TITLE	
CHECKED BY: D. Lawson, 8/8/07		TE-M with TES-T Module Drawing	
SCALE	SIZE	DRAWING NUMBER	REVISION
2:3	B	9630-20-TE-M TES-T	05
PROJECT # 070523-2		SHEET 1 OF 1	