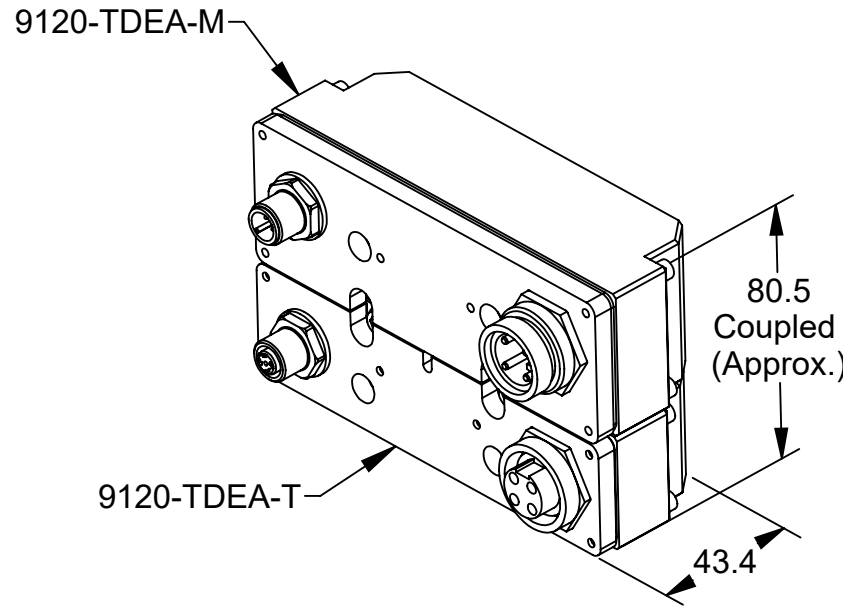
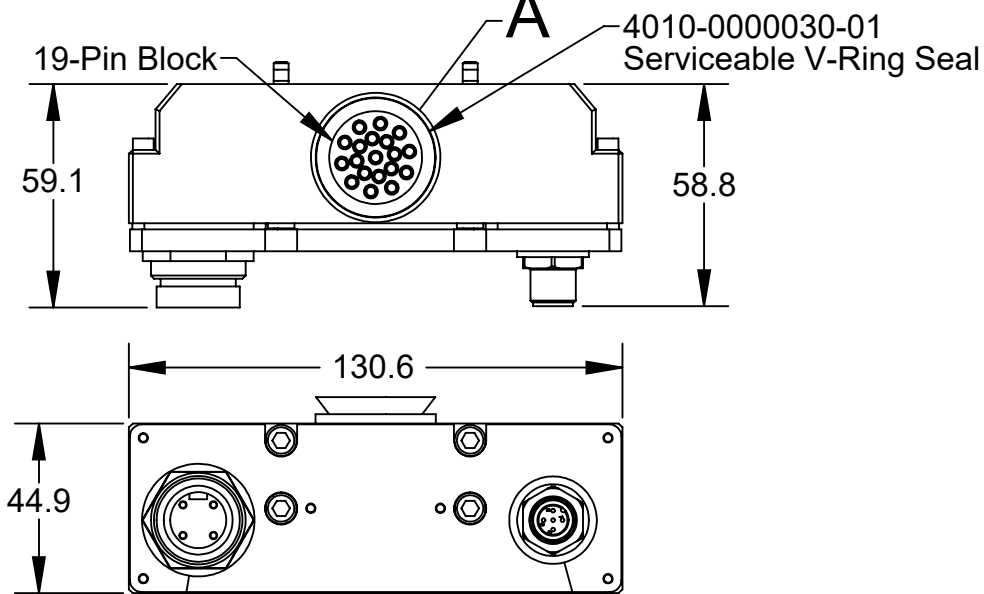


**"DANGER!" - Electrical Shock Hazard**

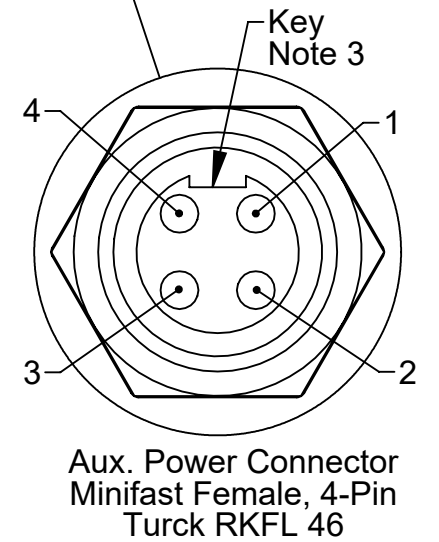
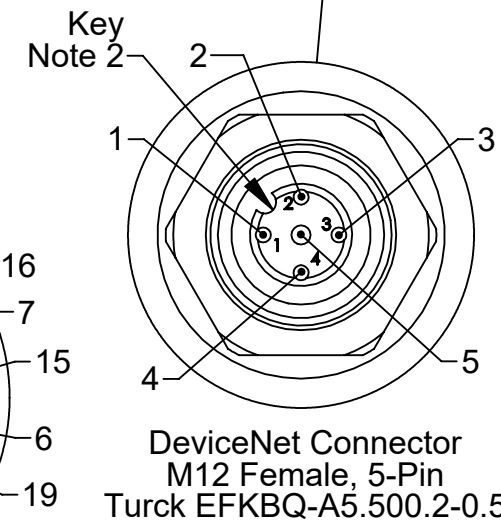
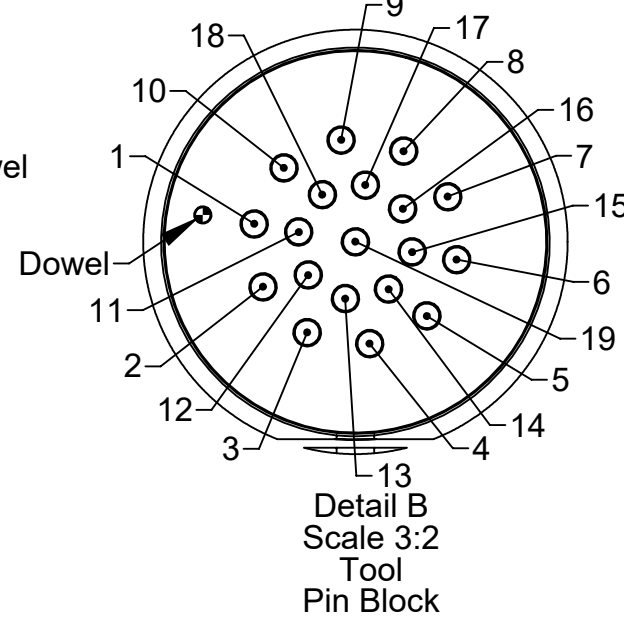
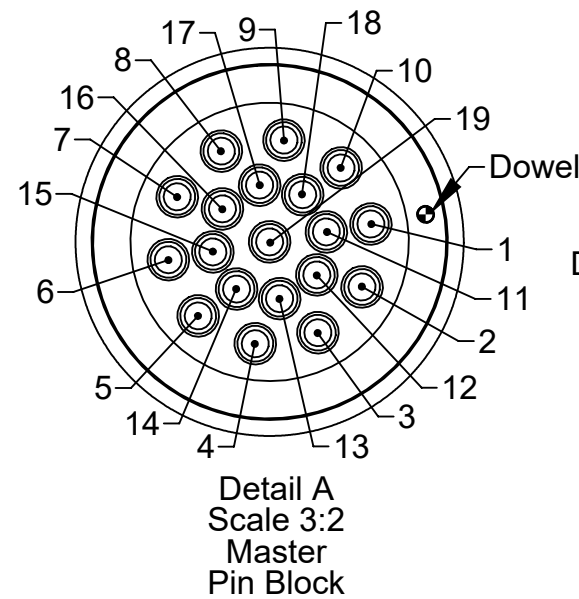
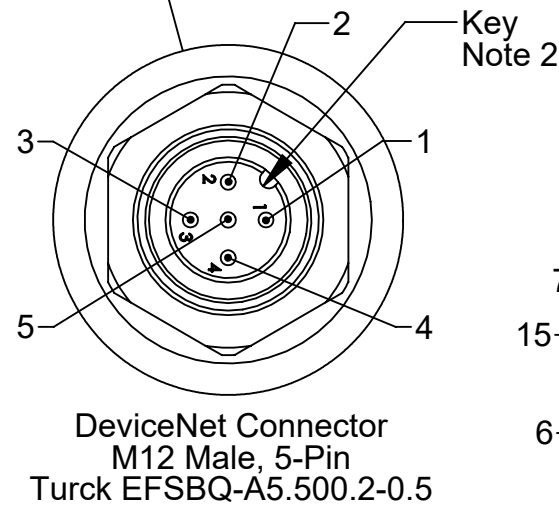
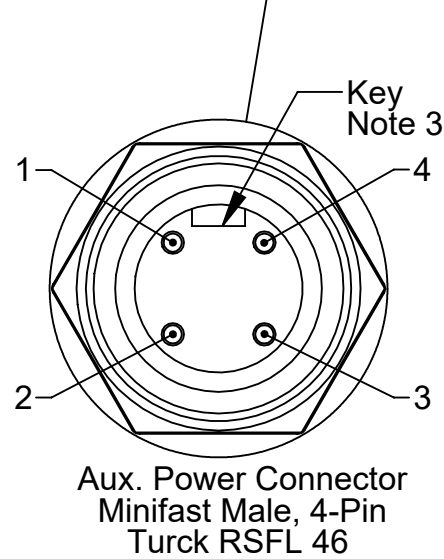
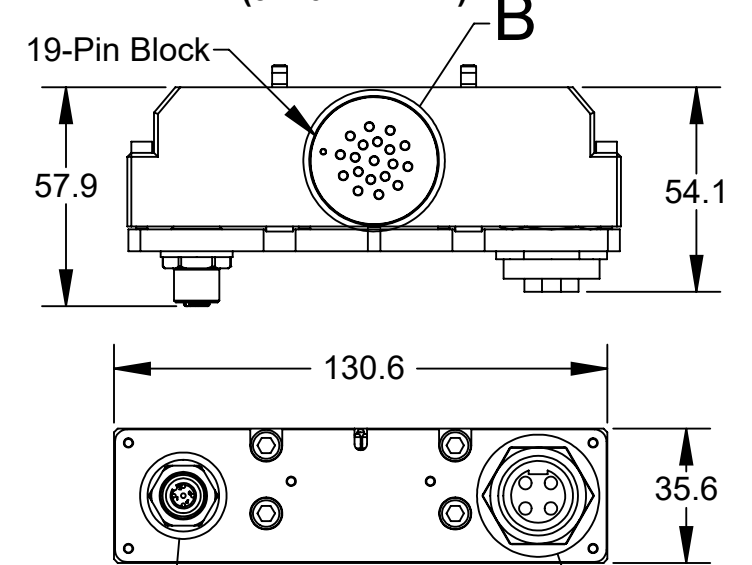
**This module has a Voltage of 50V or greater, NO contact should be attempted before removing power. This especially includes separation or insertion of the mating connectors or any contact with the tool changer or its components.**

| Rev. | Description  | Initiator | Date     |
|------|--|-----------|----------|
| 04   | ECO 18995: Replaced 1510-2313008-05 with 1510-2313036-05.<br>Updated TDEA Master Module dimension from 57.2 to 58.8.<br>Updated TDEA Tool Module dimension from 56.3 to 57.9.<br>Updated titleblock. | MAL       | 8/7/2020 |

**Master Module  
(9120-TDEA-M)**



**Tool Module  
(9120-TDEA-T)**

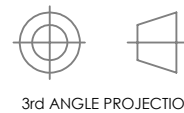


**Notes:**

- The modules are shown at sheet scale. All connector face views are shown at 1:1 scale.
- Connectors orientation are not guaranteed.
- Connectors are oriented as shown on the modules.
- Serviceable parts on Sheet 2.
- See Sheet 2 for wiring details.

NOTES: UNLESS OTHERWISE SPECIFIED.

DO NOT SCALE DRAWING. ALL DIMENSIONS ARE IN MILLIMETERS.



3rd ANGLE PROJECTION



1031 Goodworth Drive, Apex, NC 27539, USA  
Tel: +1.919.772.0115 www.ati-ia.com  
Fax: +1.919.772.8259 ISO 9001 Registered Company

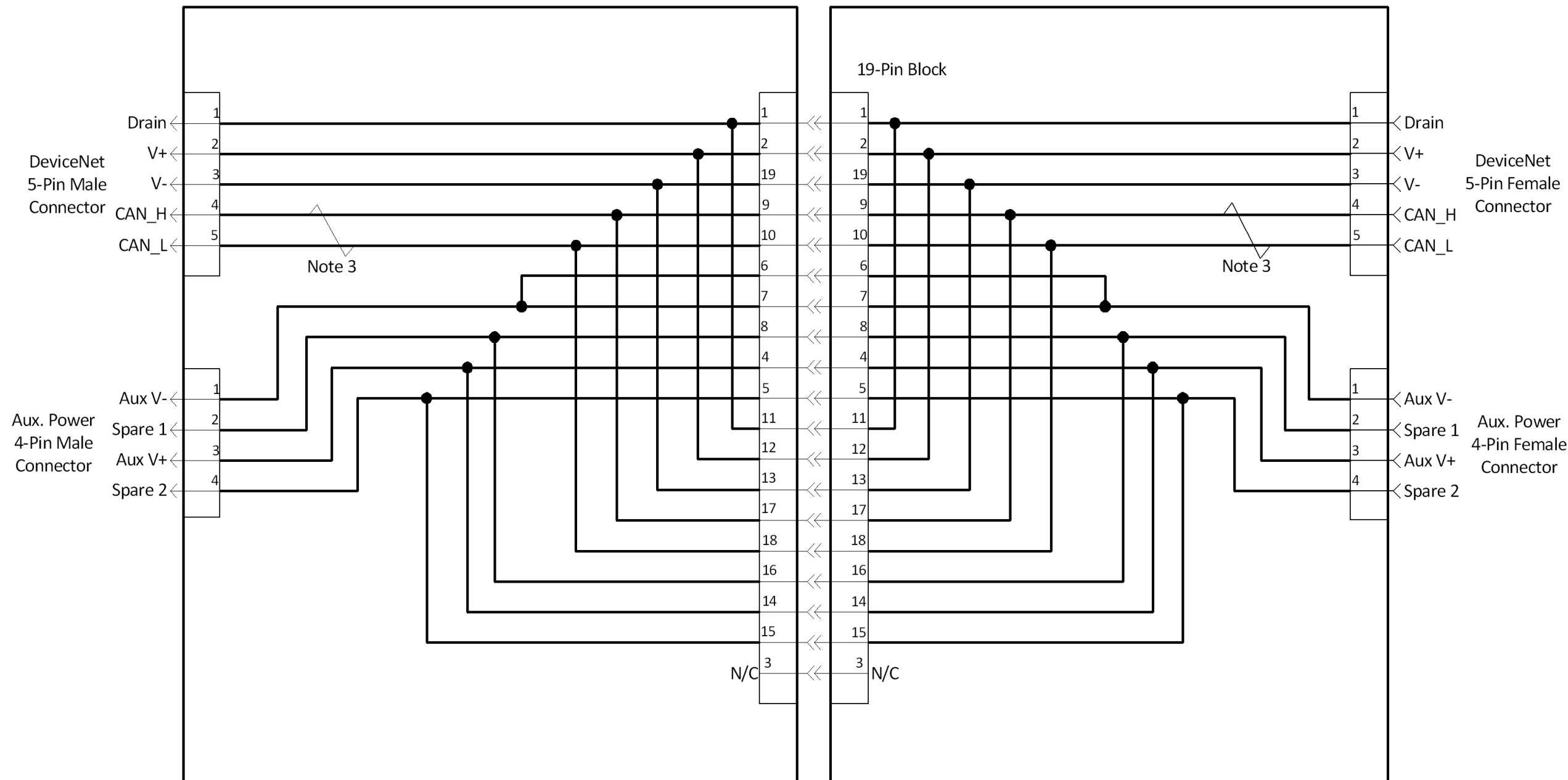
PROPERTY OF ATI INDUSTRIAL AUTOMATION, INC. NOT TO BE REPRODUCED IN ANY MANNER EXCEPT ON ORDER OR WITH PRIOR WRITTEN AUTHORIZATION OF ATI.

|                                 |      |  |          |
|---------------------------------|------|--|----------|
| DRAWN BY: M. Newell, 2/22/16    |      | TITLE  |          |
| CHECKED BY: J. Bunting, 3/23/16 |      | TD DEVICENET Pass-Through with Redundant Signals |          |
| L. Jamshidi, 3/24/16            |      | Module Drawing                                   |          |
| SCALE                           | SIZE | DRAWING NUMBER                                   | REVISION |
| 1:1                             | B    | 9630-20-TDEA                                     | 04       |

PROJECT # 160218-2 SHEET 1 OF 2

# 9120-TDEA-M

# 9120-TDEA-T



**Notes:**

- Signal connections in the TDEA modules are made redundantly through the pin block interface.
- TDEA Module Electrical Rating: DeviceNet 4A / 250V  
Aux. Power Circuit 5A / 600V
- The indicated wire pairs are twisted in the Master and Tool modules.
- Pin 19 on the Pin Block is first-to-mate, last-to-break, and is recommended for Ground.

NOTES: UNLESS OTHERWISE SPECIFIED.

DO NOT SCALE DRAWING. ALL DIMENSIONS ARE IN MILLIMETERS.



3rd ANGLE PROJECTION

1031 Goodworth Drive, Apex, NC 27539, USA  
Tel: +1.919.772.0115 www.ati-ia.com  
Fax: +1.919.772.8259 ISO 9001 Registered Company

PROPERTY OF ATI INDUSTRIAL AUTOMATION, INC. NOT TO BE REPRODUCED IN ANY MANNER EXCEPT ON ORDER OR WITH PRIOR WRITTEN AUTHORIZATION OF ATI.

|                                 |              |   |      |                |
|---------------------------------|--------------|---|------|----------------|
| DRAWN BY: M. Newell, 2/22/16    |              | TITLE   |      |                |
| CHECKED BY: J. Bunting, 3/23/16 |              | TD DEVICENET Pass-Through with Redundant Signals Module Drawing |      |                |
| L. Jamshidi, 3/24/16            |              | SCALE   | SIZE | DRAWING NUMBER |
| PROJECT # 160218-2              | SHEET 2 OF 2 | 1:1   | B    | 9630-20-TDEA   |
|                                 |              |   |      | REVISION       |
|                                 |              |   |      | 04             |