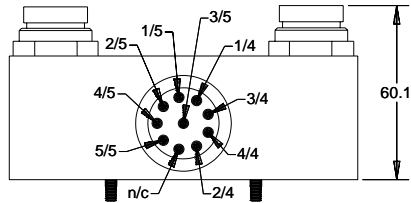
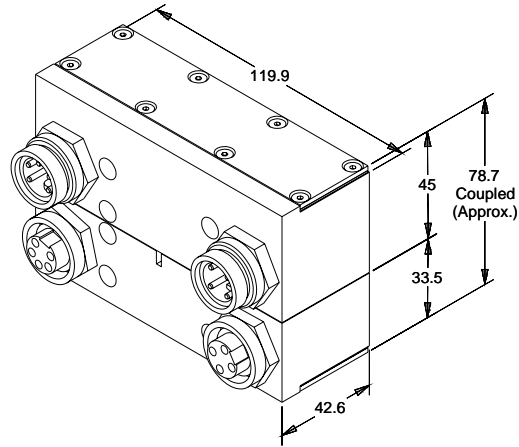
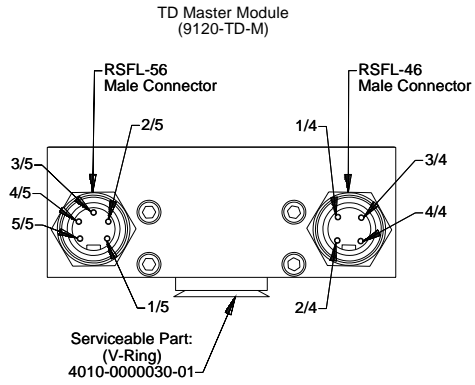


PROPERTY OF ATI INDUSTRIAL AUTOMATION, INC.  
 NOT TO BE REPRODUCED IN ANY MANNER EXCEPT ON  
 ORDER OR WITH PRIOR WRITTEN AUTHORIZATION OF ATI.

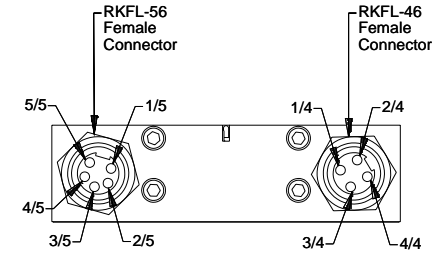
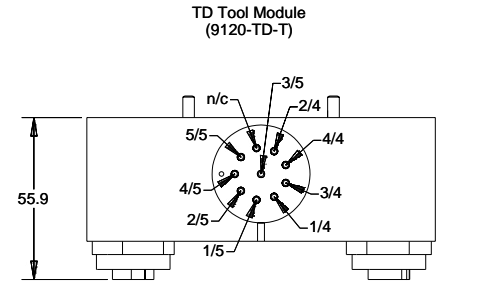
REVISION	DESCRIPTION	INITIATOR	DATE
01P	Initial Design	PS	8/28/03
02	Release, Rotated Views	RLH	10/17/03



	TD Master	TD Pin Out	TD Tool	
RSFL-56	1/5	>>	1/5	RKFL-56
	2/5	>>	2/5	
	3/5	>>	3/5	
	4/5	>>	4/5	
	5/5	>>	5/5	
RSFL-46	1/4	>>	1/4	RKFL-46
	2/4	>>	2/4	
	3/4	>>	3/4	
	4/4	>>	4/4	

**Legend: Connectors**

1/5	Drain
2/5	V+
3/5	V-
4/5	CAN_H
5/5	CAN_L
1/4	Aux V+
2/4	Spare
3/4	Spare
4/4	Aux V-



NOTES: UNLESS OTHERWISE SPECIFIED

DO NOT SCALE DRAWING. DRAWN IN SOLIDWORKS.  
 ALL DIMENSIONS ARE IN MILLIMETERS.



1031 Goodworth Drive, Apex, NC 27539, USA  
 Tel: +1.919.772.0115 Email: info@ati-ia.com  
 Fax: +1.919.772.8259 www.ati-ia.com  
 ISO 9001 Registered Company

DRAWN BY: P.Sparrow, 8/19/03	TITLE: TD Module Drawing		
CHECKED BY: R.Heavner, 9/15/03	SCALE: 3:4	SIZE: B	DRAWING NUMBER: 9630-20-TD-02
WEIGHT: 1.782	PRODUCT RELEASE # 030725-2		DATE: SHEET 1 OF 1