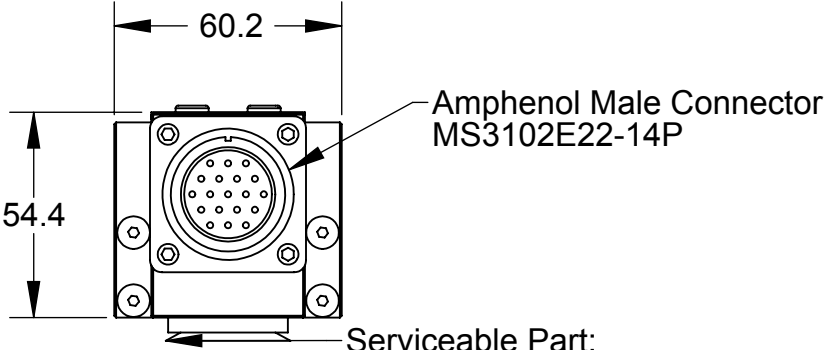
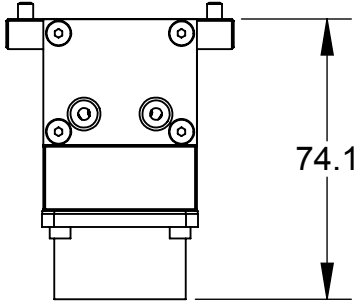
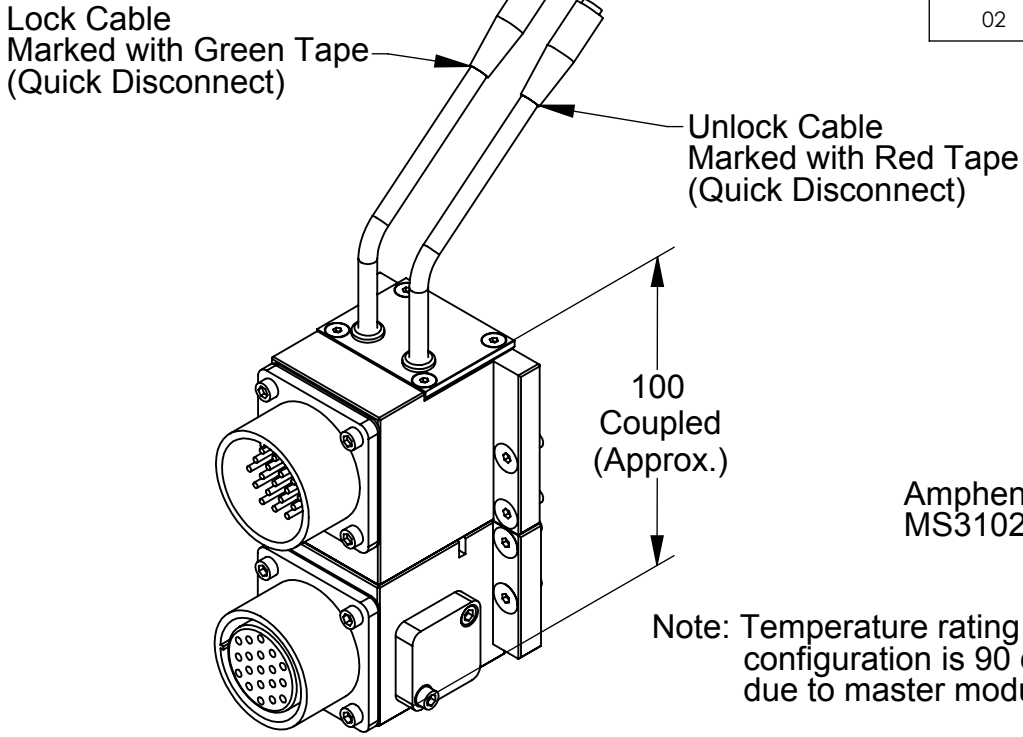


Rev.	Description	Initiator	Date
02	Added note 4.	PS	9/21/2007

**T19W-VSL Master Module  
(9120-T19W-M-VSL)**

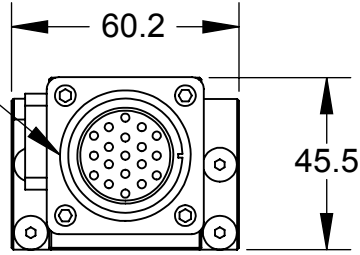
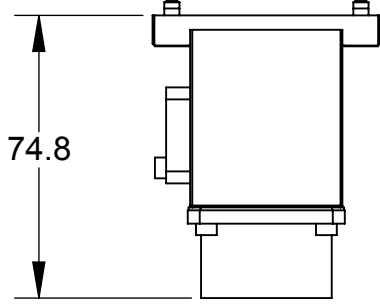


Serviceable Part:  
(V-Ring)  
4010-0000042-01



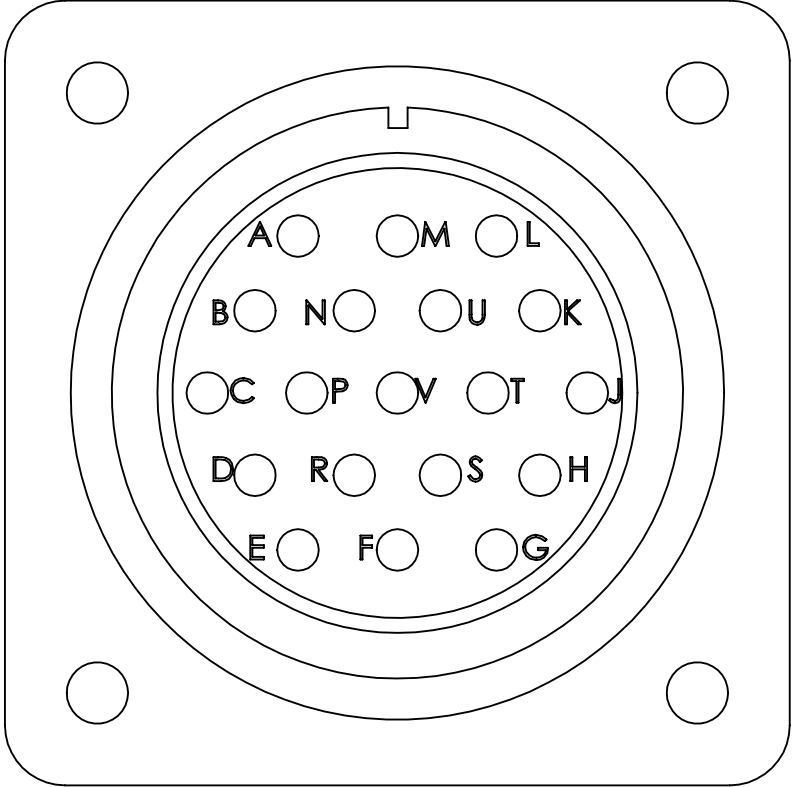
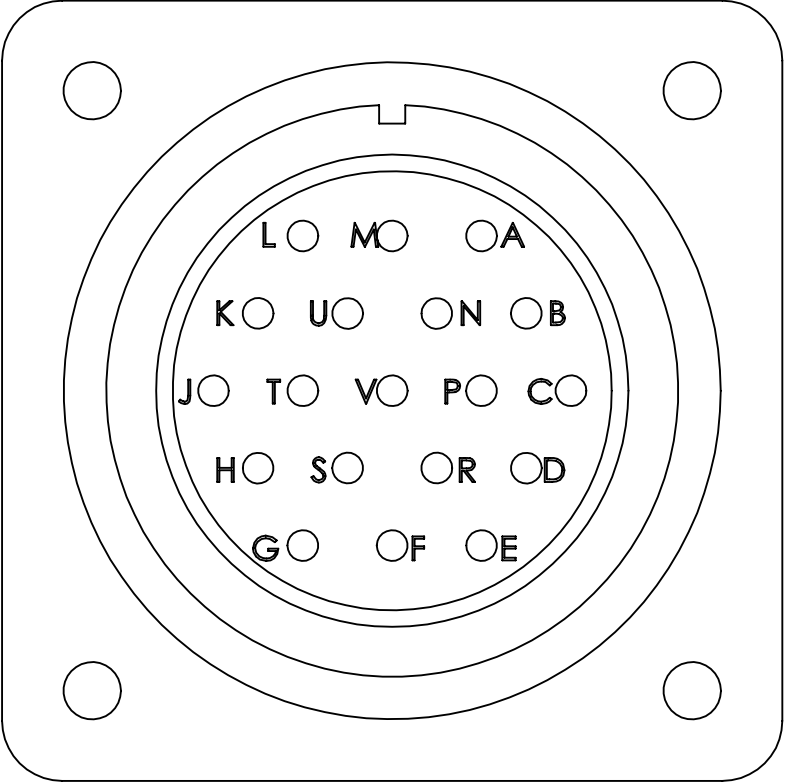
Note: Temperature rating for this module configuration is 90 degrees Celsius due to master module's -VSL spec.

**T19-VL Tool Module  
(9120-T19-T-VL)**



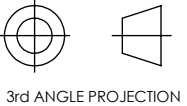
**T19W-VSL Master to T19-VL Tool**

T19W-VSL Master MS3102E22-14P Male Connector		T19-VL Tool MS3102E22-14S Female Connector
Lock/Unlock Cables	A ----- >> -----	A
	B ----- >> -----	B
Unlock -----	C ----- >> -----	C(n/c)
+24 VDC -----	D ----- >> -----	D(n/c)
	E ----- >> -----	E
	F ----- >> -----	F
	G ----- >> -----	G
0 VDC -----	H ----- >> -----	H(n/c)
	J ----- >> -----	J
Lock -----	K ----- >> -----	K(n/c)
	L ----- >> -----	L
	M ----- >> -----	M
	N ----- >> -----	N
	P ----- >> -----	P
	R ----- >> -----	R
	S ----- >> -----	S
	T ----- >> -----	T
	U ----- >> -----	U
(See Note 2)	V ----- >> -----	V



- Notes:**
- Large views of connectors are 2.5:1 scale.
  - Pin "V" on the amphenol connector is First-to-mate Last-to-break at the tool changer interface. This pin is recommended for use as ground.
  - Lock/Unlock cables only shown in center view for clarity.
  - DANGER!** - For electrical modules using > 60 VDC or 42 VAC, NO contact should be attempted before removing power. This especially includes separation or insertion of the mating connectors or any contact with the tool changer or its' components.

NOTES: UNLESS OTHERWISE SPECIFIED  
DO NOT SCALE DRAWING. DRAWN IN SOLIDWORKS.  
ALL DIMENSIONS ARE IN MILLIMETERS.  
PROPERTY OF ATI INDUSTRIAL AUTOMATION, INC.  
NOT TO BE REPRODUCED IN ANY MANNER EXCEPT ON  
ORDER OR WITH PRIOR WRITTEN AUTHORIZATION OF ATI.



1031 Goodworth Drive, Apex, NC 27539, USA  
Tel: +1.919.772.0115 Email: info@ati-ia.com  
Fax: +1.919.772.8259 www.ati-ia.com  
ISO 9001 Registered Company

DRAWN BY: P.Sparrow, 1/29/07	TITLE T19W-M-VSL with T19-T-VL Module Drawing		
CHECKED BY: D.Swanson, 1/29/07	SCALE 1:2	SIZE B	DRAWING NUMBER 9630-20-T19WMVSL T19TVL-02
WEIGHT LBS:	PRODUCT RELEASE # 061115-2		DATE:
ASSEMBLY REF:	SHEET 1 OF 1		