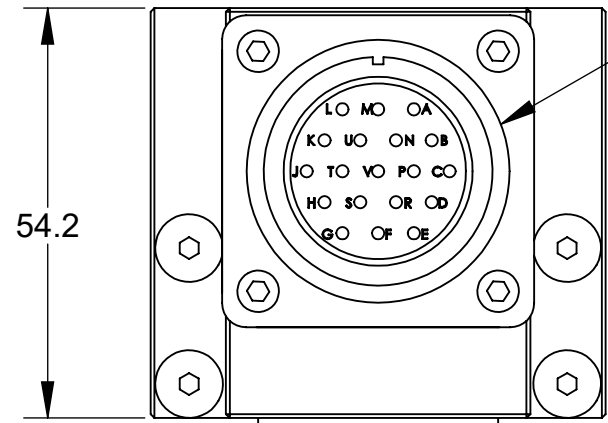


" DANGER!" - Electrical Shock Hazard

This module has a Voltage of 50V or greater, NO contact should be attempted before removing power. This especially includes separation or insertion of the mating connectors or any contact with the tool changer or its components."

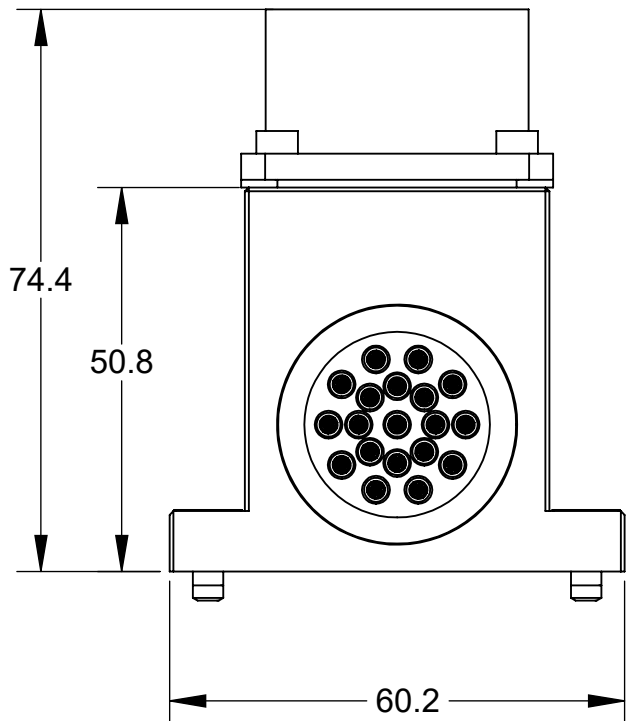
| Rev. | Description | Initiator | Date |
|------|---|-----------|------------|
| 04 | Eco 19433; Added Electrical Shock Note. Added Sheets 2 & 3. Updated to Current Standard. Updated Title Block. | CF | 10/20/2020 |

9120-T19PD-M

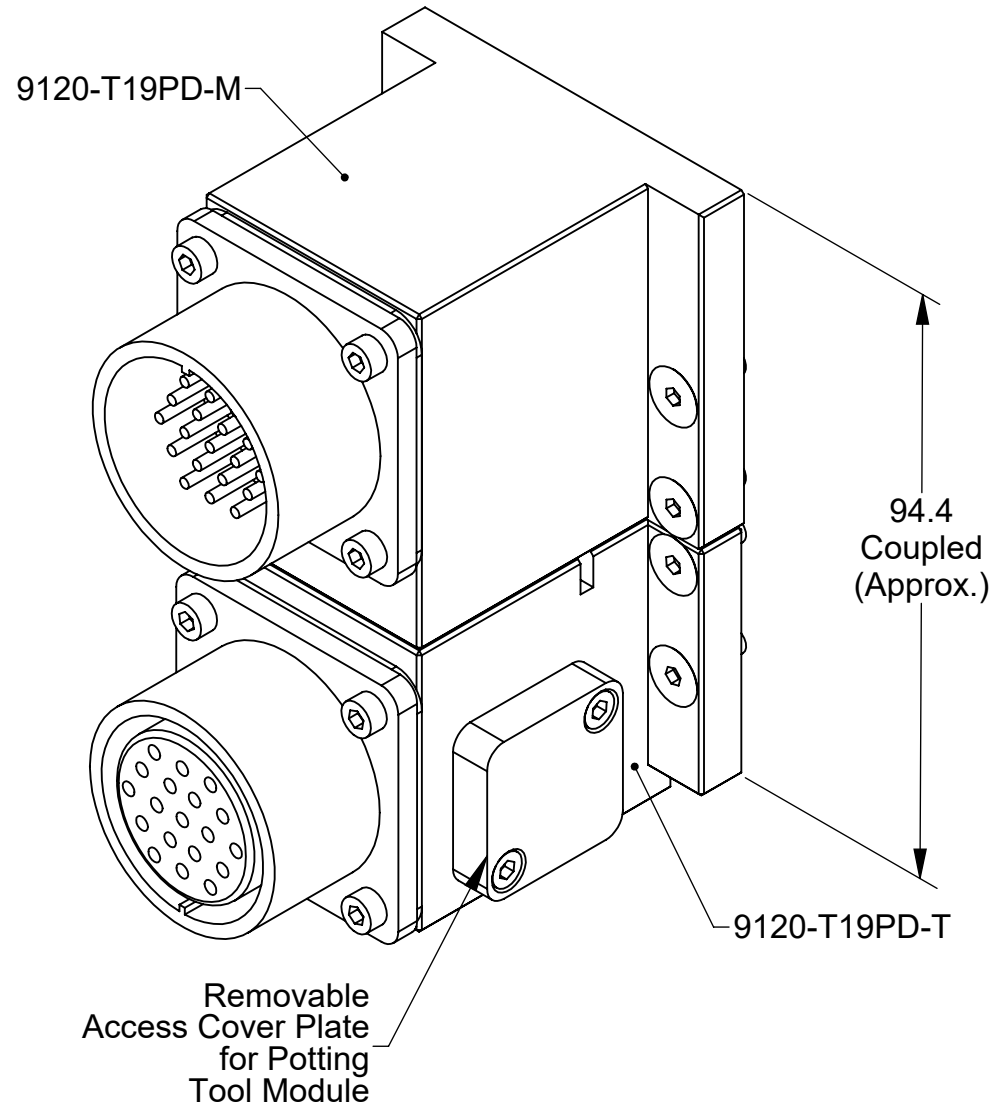


MS3102E22-14P Male Connector

Serviceable Part:
(V-Ring)
4010-0000030-01



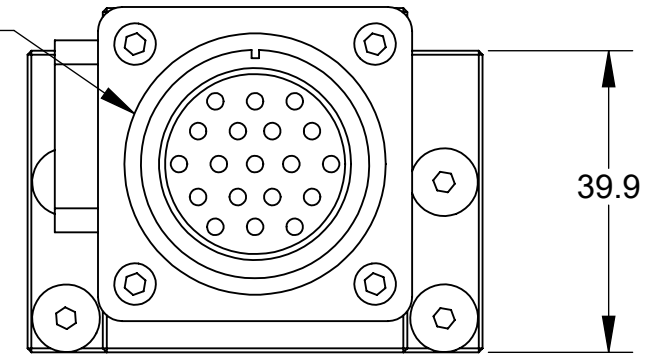
9120-T19PD-M



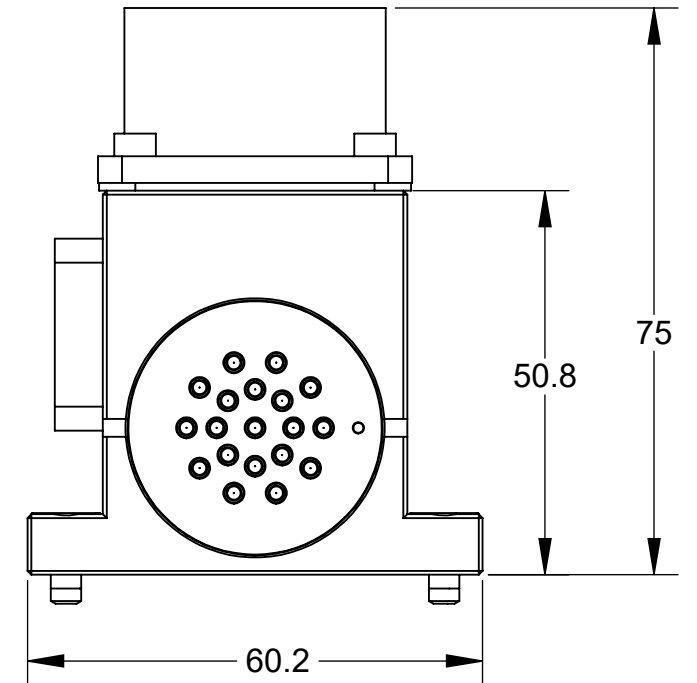
94.4
Coupled
(Approx.)

9120-T19PD-T

MS3102E22-14S Female Connector

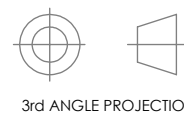


39.9



NOTES: UNLESS OTHERWISE SPECIFIED.

DO NOT SCALE DRAWING. ALL DIMENSIONS ARE IN MILLIMETERS.



3rd ANGLE PROJECTION



1031 Goodworth Drive, Apex, NC 27539, USA
Tel: +1.919.772.0115 www.ati-ia.com
Fax: +1.919.772.8259 ISO 9001 Registered Company

PROPERTY OF ATI INDUSTRIAL AUTOMATION, INC. NOT TO BE REPRODUCED IN ANY MANNER EXCEPT ON ORDER OR WITH PRIOR WRITTEN AUTHORIZATION OF ATI.

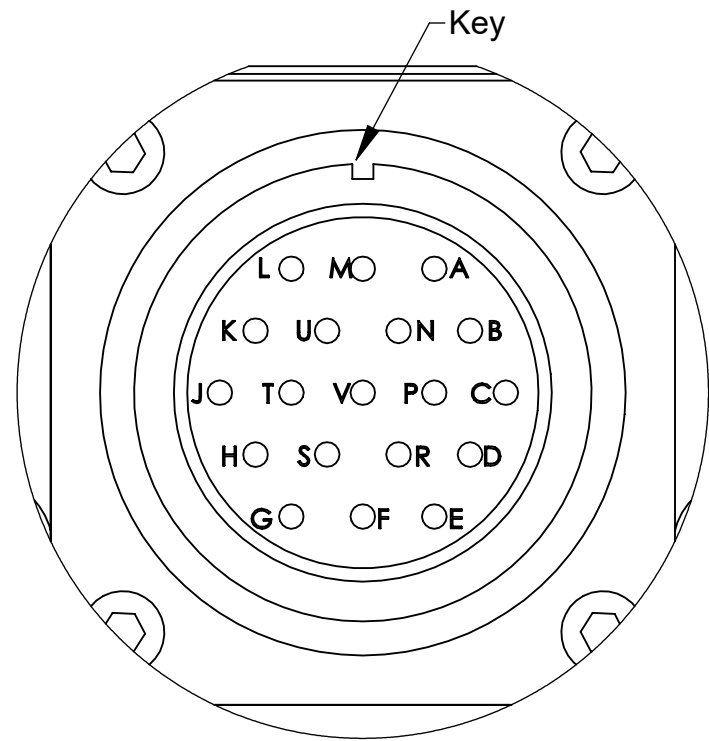
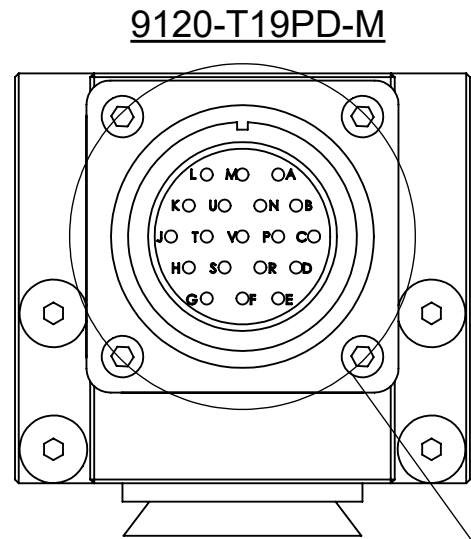
DRAWN BY: P.Sparrow, 9/21/07

CHECKED BY: D.Swanson, 9/26/07

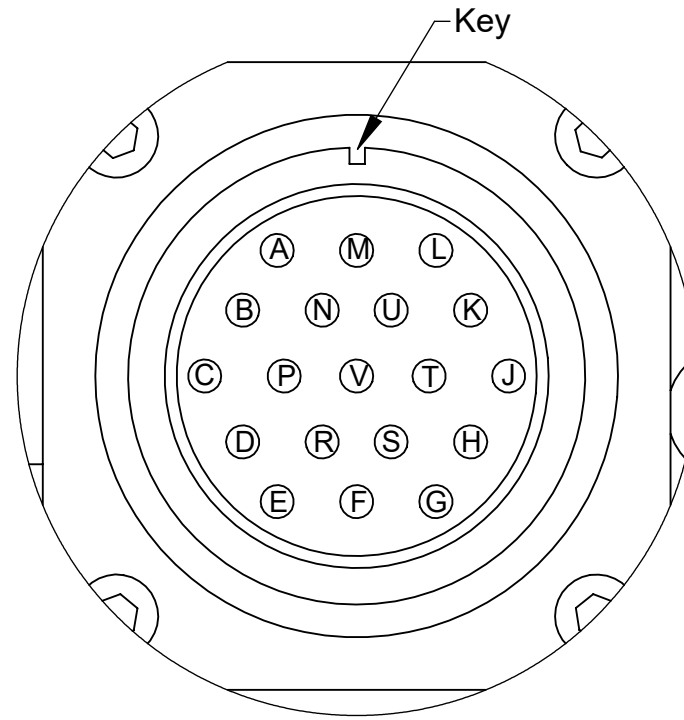
TITLE
T19 Potted Module Drawing

PROJECT # 070907-2 SHEET 1 OF 3

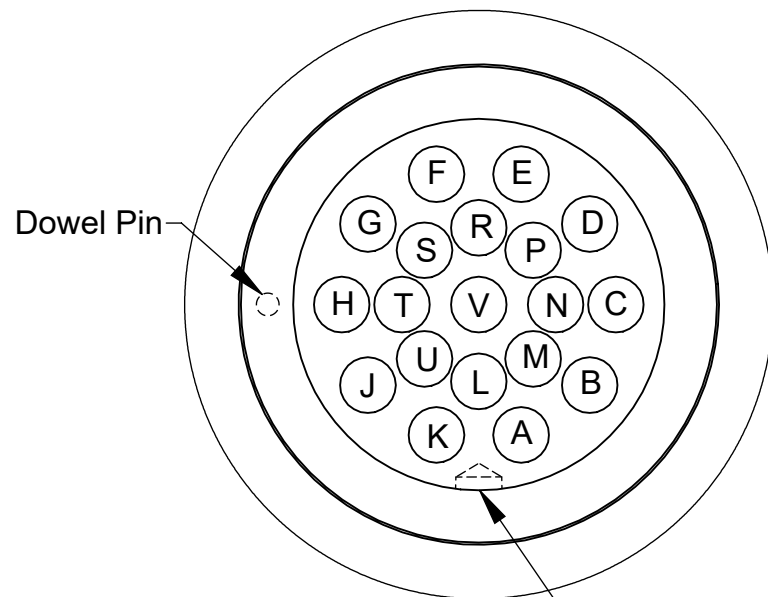
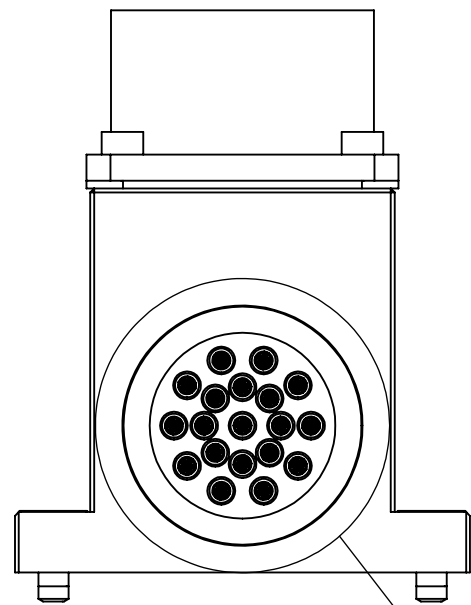
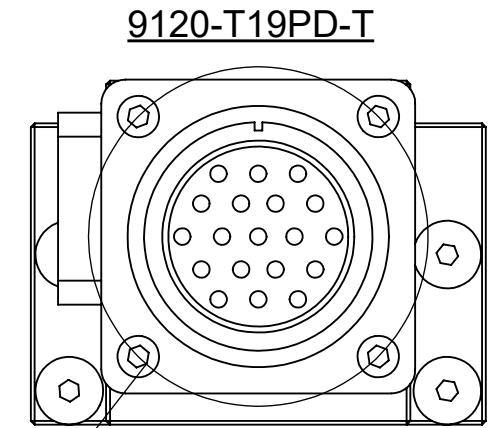
| SCALE | SIZE | DRAWING NUMBER | REVISION |
|-------|------|----------------|----------|
| 1:1 | B | 9630-20-T19PD | 04 |



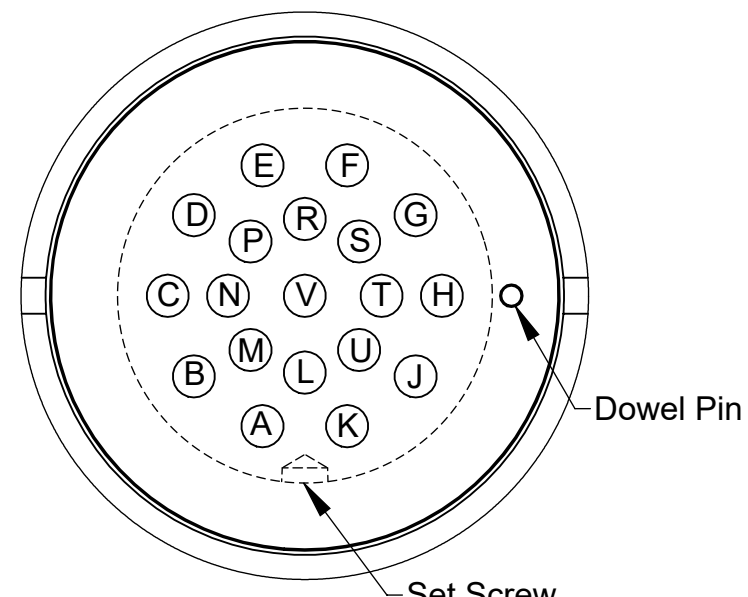
DETAIL A
SCALE 2 : 1



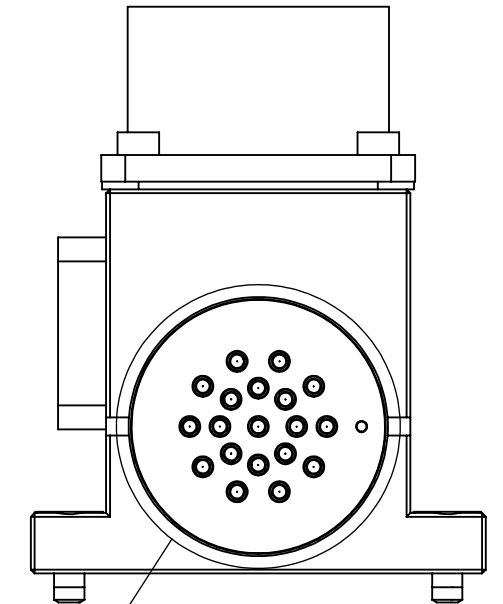
DETAIL C
SCALE 2 : 1



DETAIL B
SCALE 2 : 1



DETAIL D
SCALE 2 : 1



NOTES: UNLESS OTHERWISE SPECIFIED.

DO NOT SCALE DRAWING. ALL DIMENSIONS ARE IN MILLIMETERS.



3rd ANGLE PROJECTION



1031 Goodworth Drive, Apex, NC 27539, USA
Tel: +1.919.772.0115 www.ati-ia.com
Fax: +1.919.772.8259 ISO 9001 Registered Company

PROPERTY OF ATI INDUSTRIAL AUTOMATION, INC. NOT TO BE REPRODUCED IN ANY MANNER EXCEPT ON ORDER OR WITH PRIOR WRITTEN AUTHORIZATION OF ATI.

DRAWN BY: P.Sparrow, 9/21/07

CHECKED BY: D.Swanson, 9/26/07

TITLE
T19 Potted Module Drawing

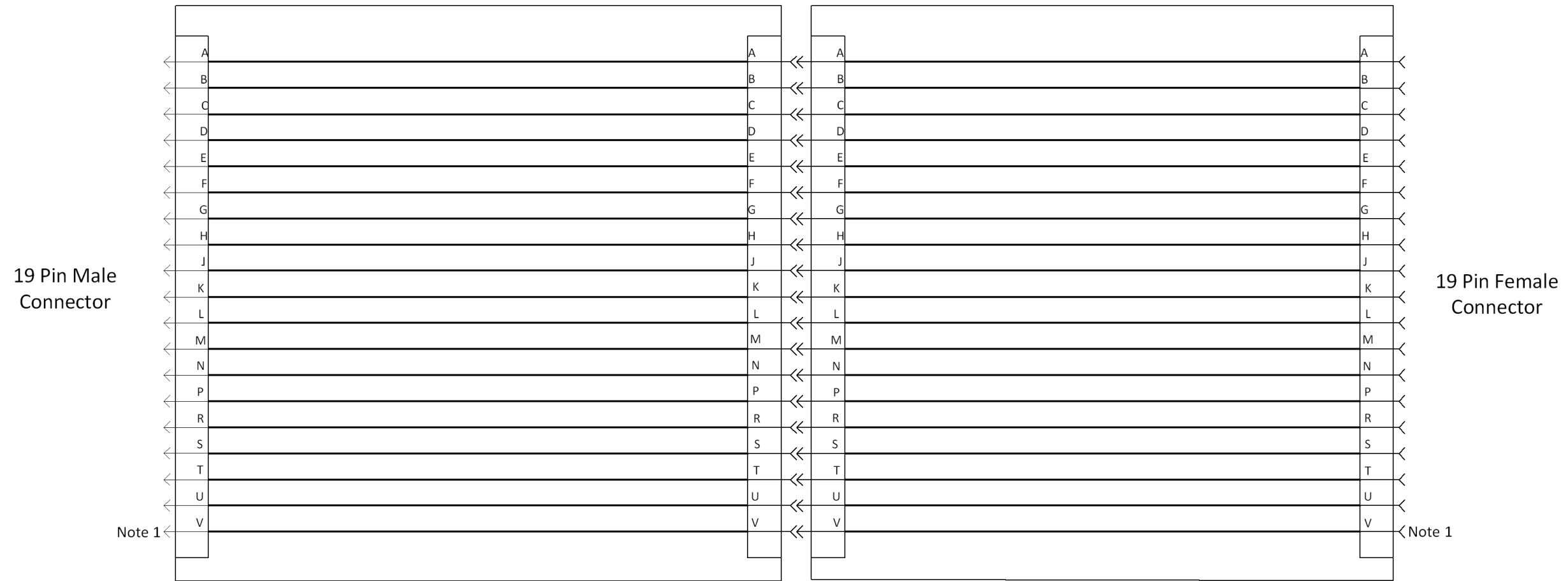
PROJECT # 070907-2 SHEET 2 OF 3

| SCALE | SIZE | DRAWING NUMBER | REVISION |
|-------|------|----------------|----------|
| 1:1 | B | 9630-20-T19PD | 04 |

9120-T19PD-M

ATI 19-Pin
Block

9120-T19PD-T



Note:
1. Pin "V" on the amphenol connector is First-to-Mate Last-to-Break at the Tool Changer interface. This pin is recommended for use as ground.

NOTES: UNLESS OTHERWISE SPECIFIED.

DO NOT SCALE DRAWING. ALL DIMENSIONS ARE IN MILLIMETERS.



3rd ANGLE PROJECTION



1031 Goodworth Drive, Apex, NC 27539, USA
Tel: +1.919.772.0115 www.ati-ia.com
Fax: +1.919.772.8259 ISO 9001 Registered Company

PROPERTY OF ATI INDUSTRIAL AUTOMATION, INC. NOT TO BE REPRODUCED IN ANY MANNER EXCEPT ON ORDER OR WITH PRIOR WRITTEN AUTHORIZATION OF ATI.

DRAWN BY: P.Sparrow, 9/21/07

CHECKED BY: D.Swanson, 9/26/07

TITLE

T19 Potted Module Drawing

PROJECT # 070907-2 SHEET 3 OF 3

SCALE
1:1

SIZE
B

DRAWING NUMBER
9630-20-T19PD

REVISION
04