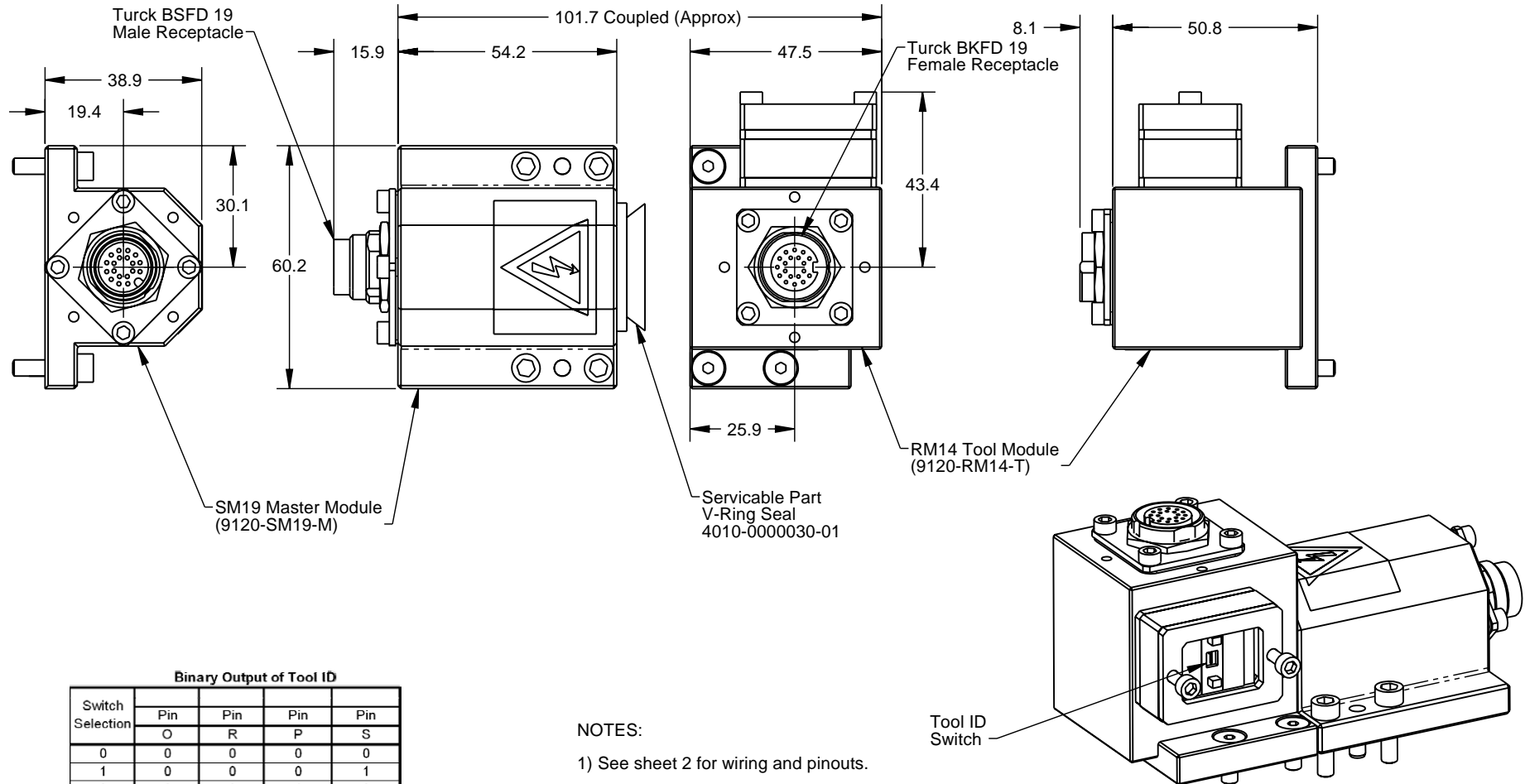


Rev.	Description	Initiator	Date
01	Initial Version	KLP	9/26/07

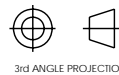


Binary Output of Tool ID

Switch Selection	Pin	Pin	Pin	Pin
	O	R	P	S
0	0	0	0	0
1	0	0	0	1
2	0	0	1	0
3	0	0	1	1
4	0	1	0	0
5	0	1	0	1
6	0	1	1	0
7	0	1	1	1
8	1	0	0	0
9	1	0	0	1

- NOTES:
- 1) See sheet 2 for wiring and pinouts.

NOTES: UNLESS OTHERWISE SPECIFIED
 DO NOT SCALE DRAWING. DRAWN IN SOLIDWORKS.
 ALL DIMENSIONS ARE IN MILLIMETERS.



1031 Goodworth Drive, Apex, NC 27539, USA
 Tel: +1.919.772.0115 Email: info@ati-ia.com
 Fax: +1.919.772.8259 www.ati-ia.com
 ISO 9001 Registered Company

DRAWN BY: K Potts 10/2/07		TITLE: SM19-M RM14-T Module drawing	
CHECKED BY: -----		SCALE: 1:1	SIZE: B
WEIGHT LBS: -----		DRAWING NUMBER: 9630-20-SM19M RM14T-01	
ASSEMBLY REF: -----		PRODUCT RELEASE # -----	DATE: SHEET 1 OF 2