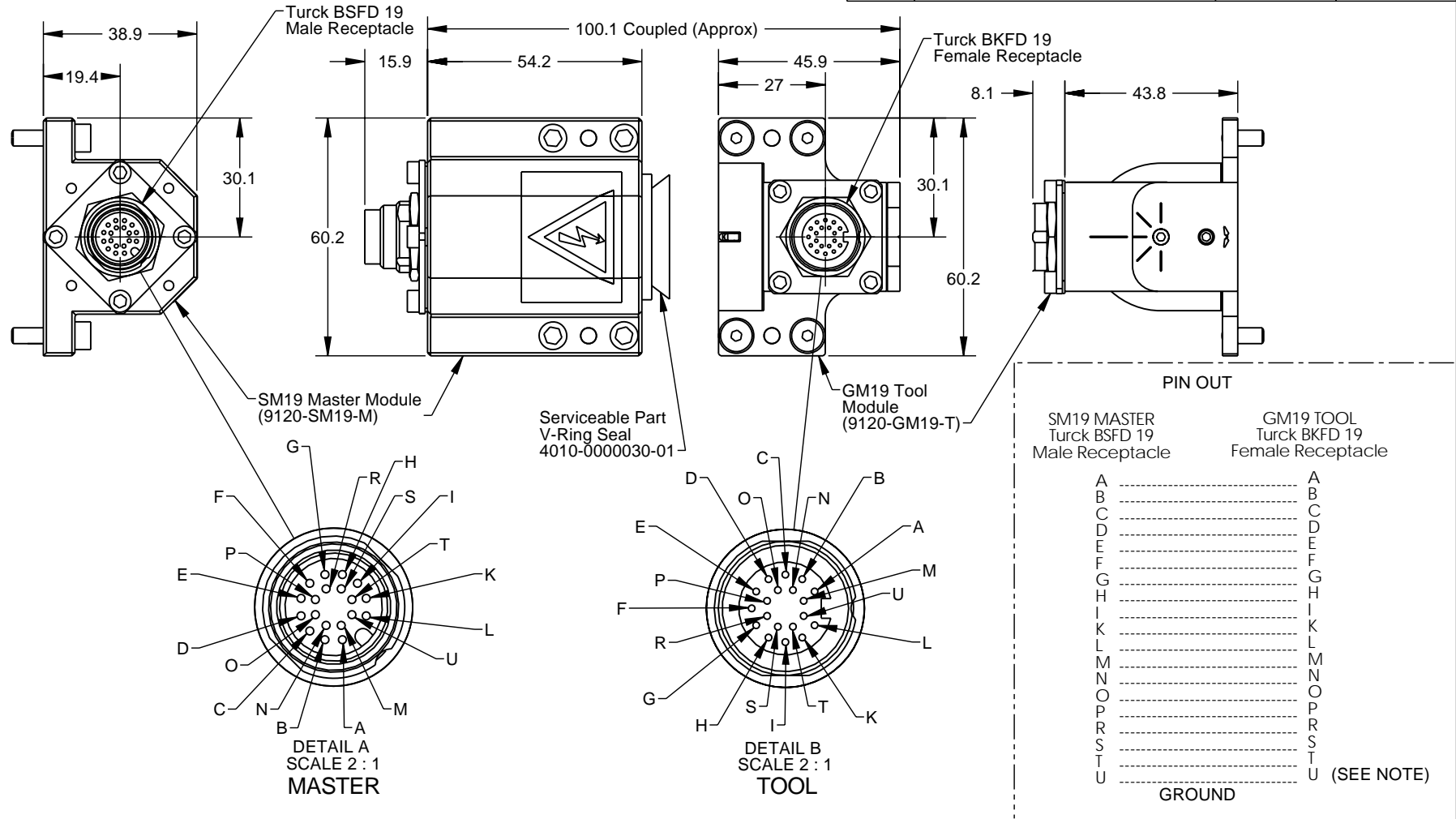


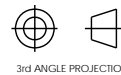
Rev.	Description	Initiator	Date
01	Initial Version	KLP	10/3/07



**NOTES:**

- 1) Pin "U" on the connectors is First-to-mate, Last-to-break at the Tool Changer interface. This pin is recommended for use as ground.
- 2) DANGER! - For electrical modules using > 60 VDC or 42 VAC, NO contact should be attempted before removing power. This especially includes separation or insertion of the mating connectors or any contact with the tool changer or its' components.

NOTES: UNLESS OTHERWISE SPECIFIED  
 DO NOT SCALE DRAWING. DRAWN IN SOLIDWORKS.  
 ALL DIMENSIONS ARE IN MILLIMETERS.



1031 Goodworth Drive, Apex, NC 27539, USA  
 Tel: +1.919.772.0115 Email: info@ati-ia.com  
 Fax: +1.919.772.8259 www.ati-ia.com  
 ISO 9001 Registered Company

DRAWN BY: K Potts 10/3/07		TITLE: SM19-M with GM19-T Module Drawing	
CHECKED BY: -----		SCALE: 1:1	SIZE: B
WEIGHT LBS: -----		DRAWING NUMBER: 9630-20-SM19M GM19T-01	
ASSEMBLY REF: -----		PRODUCT RELEASE # -----	DATE: SHEET 1 OF 1