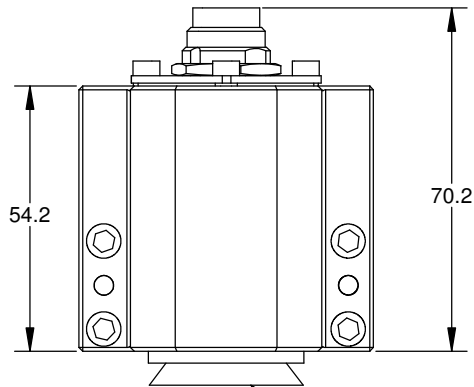
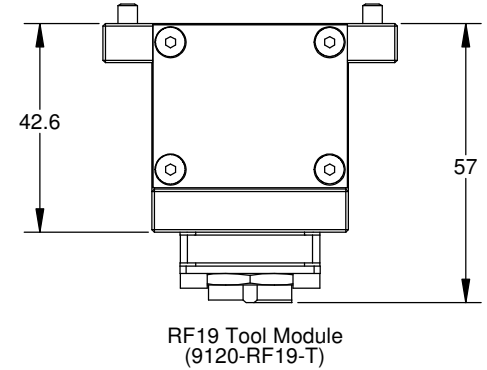
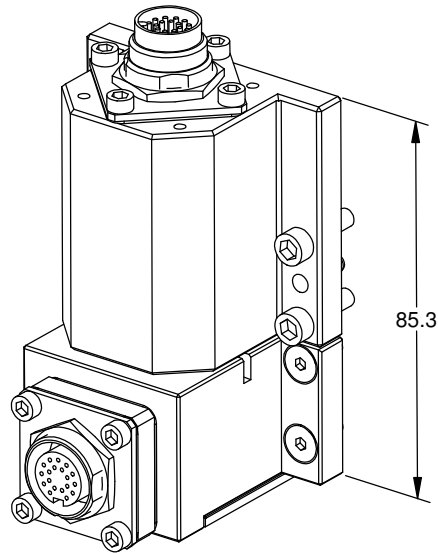
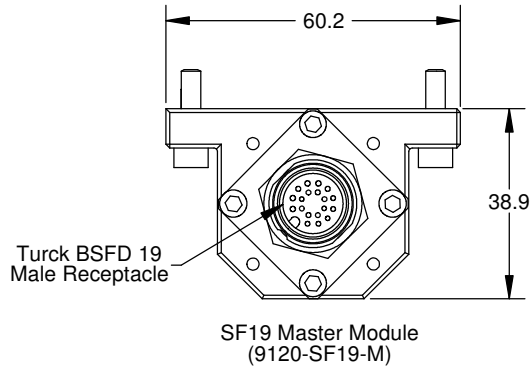
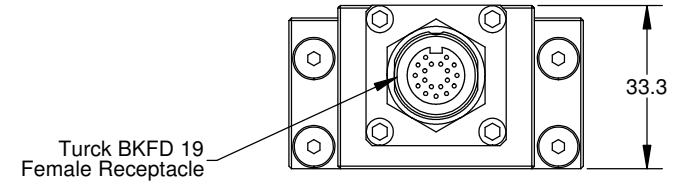


Rev.	Description	Initiator	Date
01	Initial Design	JEW	11/26/2007
02	Eco 8762; Changed overall dimension from 50.7 to 57 on RF19 Tool Side..	CF	8/19/2011



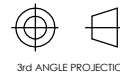
Serviceable Part:
(V-Ring)
4010-0000030-01



- Notes:
- See sheet 2 for wiring and pin out.

NOTES: UNLESS OTHERWISE SPECIFIED.

DO NOT SCALE DRAWING. ALL DIMENSIONS ARE IN MILLIMETERS.



1031 Goodworth Drive, Apex, NC 27539, USA
Tel: +1.919.772.0115 Email: info@ati-ia.com
Fax: +1.919.772.8259 www.ati-ia.com
ISO 9001 Registered Company

PROPERTY OF ATI INDUSTRIAL AUTOMATION, INC. NOT TO BE REPRODUCED IN ANY MANNER EXCEPT ON ORDER OR WITH PRIOR WRITTEN AUTHORIZATION OF ATI.

DRAWN BY: J. Williams, 11/26/07	TITLE			REVISION
CHECKED BY: D. Lawson, 11/26/07	SF19 Master with RF19 Tool Module Drawing			02
PROJECT # 071101-1 SHEET 1 OF 2	SCALE 1:1	SIZE B	DRAWING NUMBER 9630-20-SF19M RF19T	