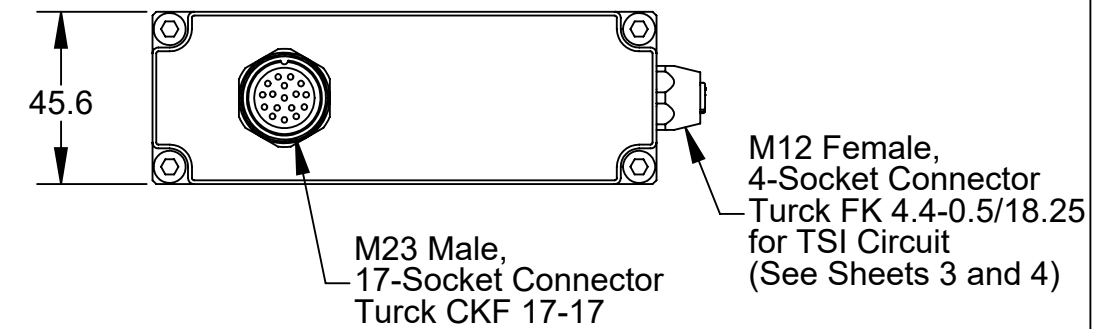
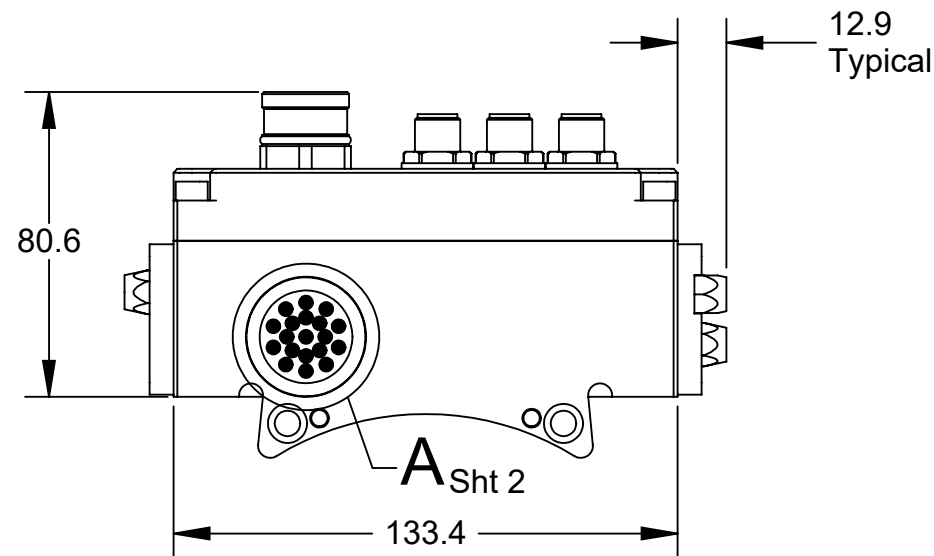
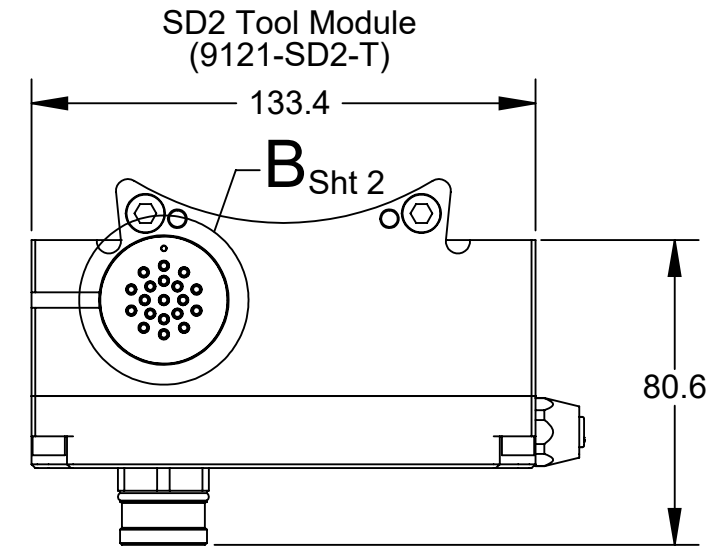
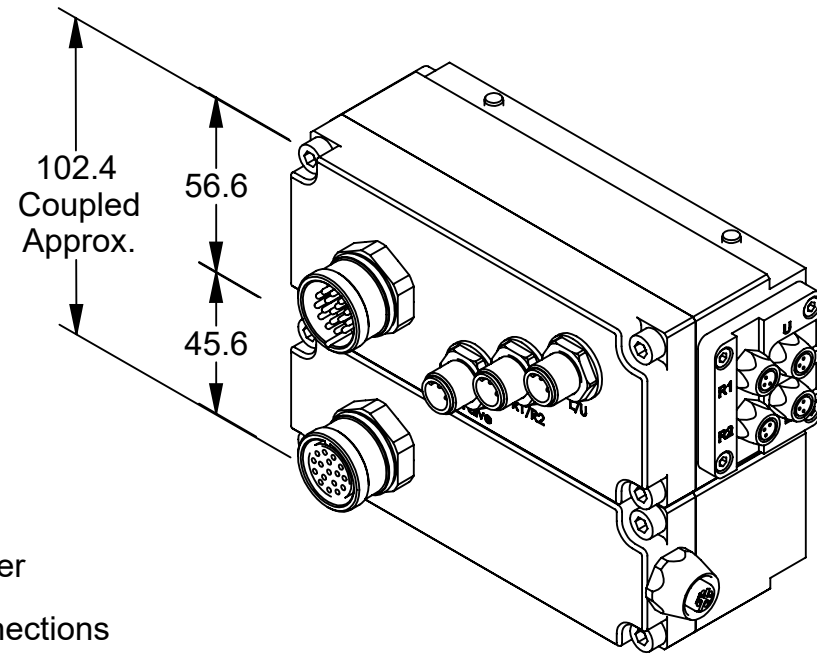
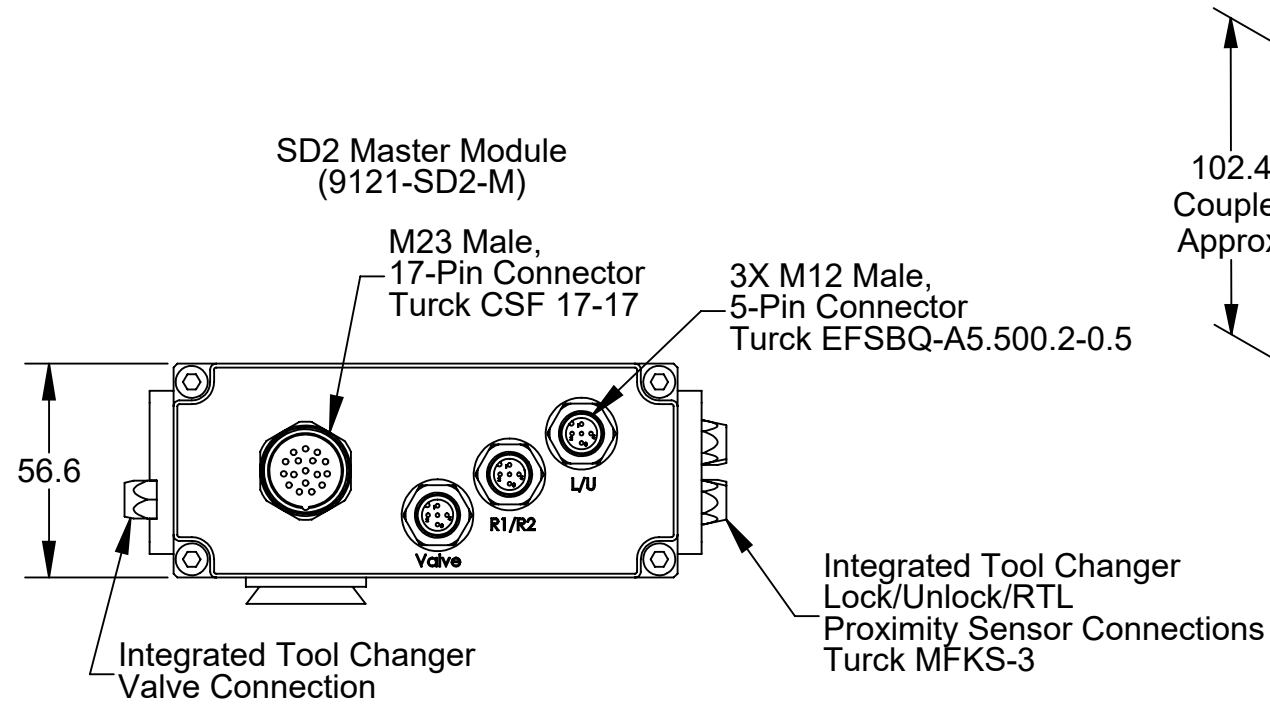


**"DANGER!" - Electrical Shock Hazard**

This module has a Voltage of 50V or greater, NO contact should be attempted before removing power. This especially includes separation or insertion of the mating connectors or any contact with the tool changer or its components.

Rev.	Description	Initiator	Date
05	ECO 19300: Sheet 1: 9121-SD2-M: Updated Part Number. Sheet 3: 5-pin EuroFast view: Updated Part Number. Upper Front View: Updated Part Number. Sheet 4: Updated Part Numbers.	TBC	10/7/2020

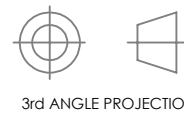


**Sheet Descriptions:**

- Sheet 1: SD2 Dimensions
- Sheet 2: 19-Pin Block Signal Designation and SD2 Spare Parts
- Sheet 3: SD2 Connector Details
- Sheet 4: SD2 Electrical Schematic

NOTES: UNLESS OTHERWISE SPECIFIED.

DO NOT SCALE DRAWING. ALL DIMENSIONS ARE IN MILLIMETERS.



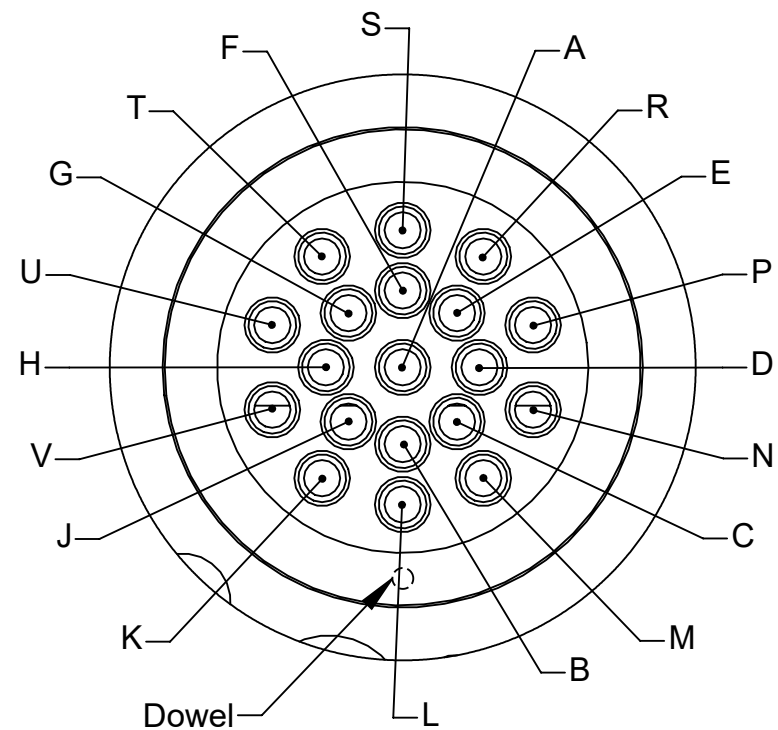
3rd ANGLE PROJECTION



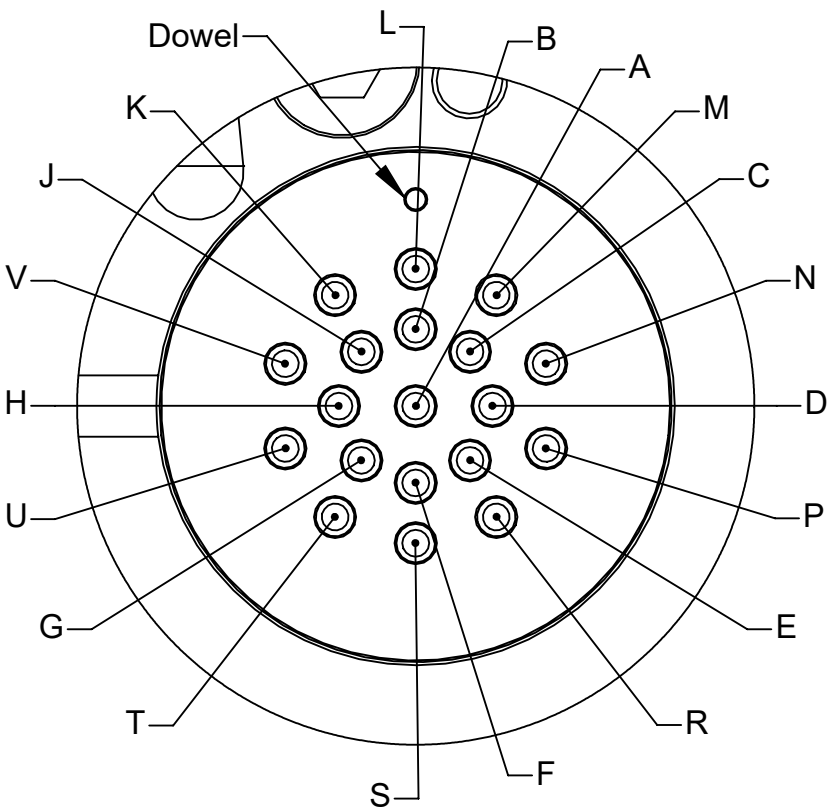
1031 Goodworth Drive, Apex, NC 27539, USA  
 Tel: +1.919.772.0115 www.ati-ia.com  
 Fax: +1.919.772.8259 ISO 9001 Registered Company

PROPERTY OF ATI INDUSTRIAL AUTOMATION, INC. NOT TO BE REPRODUCED IN ANY MANNER EXCEPT ON ORDER OR WITH PRIOR WRITTEN AUTHORIZATION OF ATI.

DRAWN BY: R. Heavner, 7/20/07		TITLE	
CHECKED BY: B. Digeso, 12/15/07		SD2 Customer Drawing	
PROJECT # 070206-4	SHEET 1 OF 4	SCALE 1:2	SIZE B
		DRAWING NUMBER 9630-20-SD2	REVISION 05



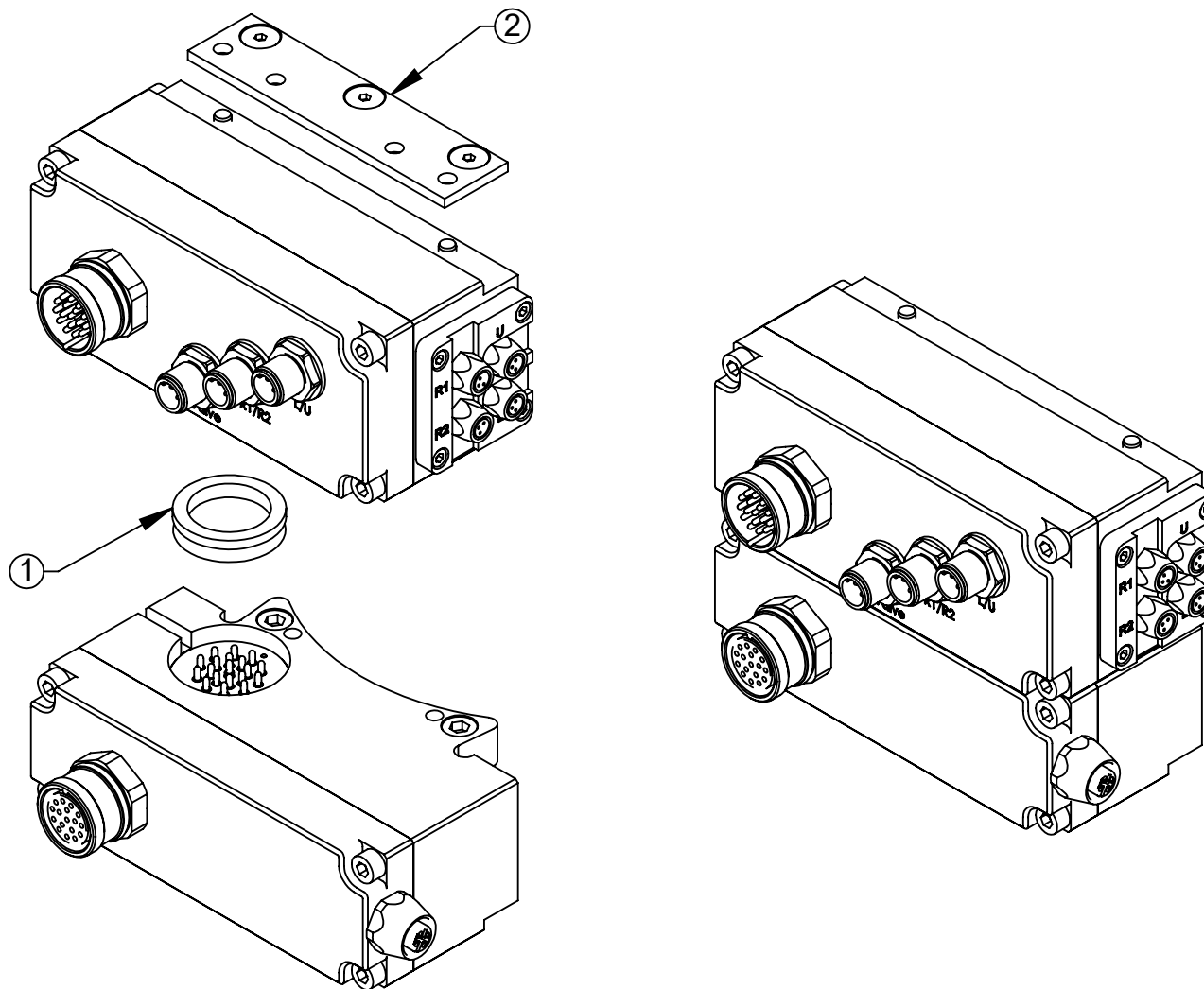
DETAIL A  
SCALE 2 : 1  
19-Pin Block Master



DETAIL B  
SCALE 2 : 1  
19-Pin Block Tool

Table 1: 19-Pin Block	
Pin	Description
A	0V (US1)
B	0V (US2)
C	+24 V (US2)
D	+24 V (US1)
E	PE
F	Profibus B-Line
G	Interbus Data Output +
H	Interbus Data Output -
J	Interbus Data Input +
K	Interbus Data Input -
L	Profibus A-Line
M	CAN1
N	CAN high
P	CAN low
R	N/A
S	N/A
T	CAN2
U	TSI Out
V	TSI In

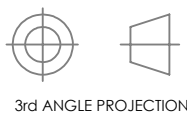
### SD2 Serviceable Parts



ITEM NO.	QTY.	PART NUMBER	DESCRIPTION
1	1	4010-000030-01	V-Ring Seal
2	1	9005-20-1198	Master Cleat Sub-Assembly

NOTES: UNLESS OTHERWISE SPECIFIED.

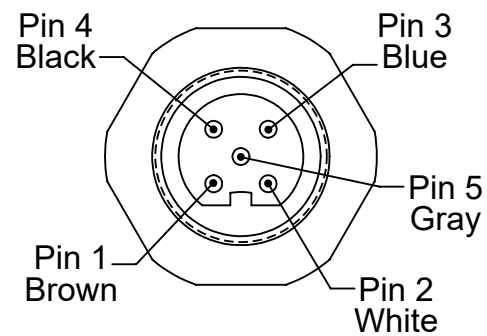
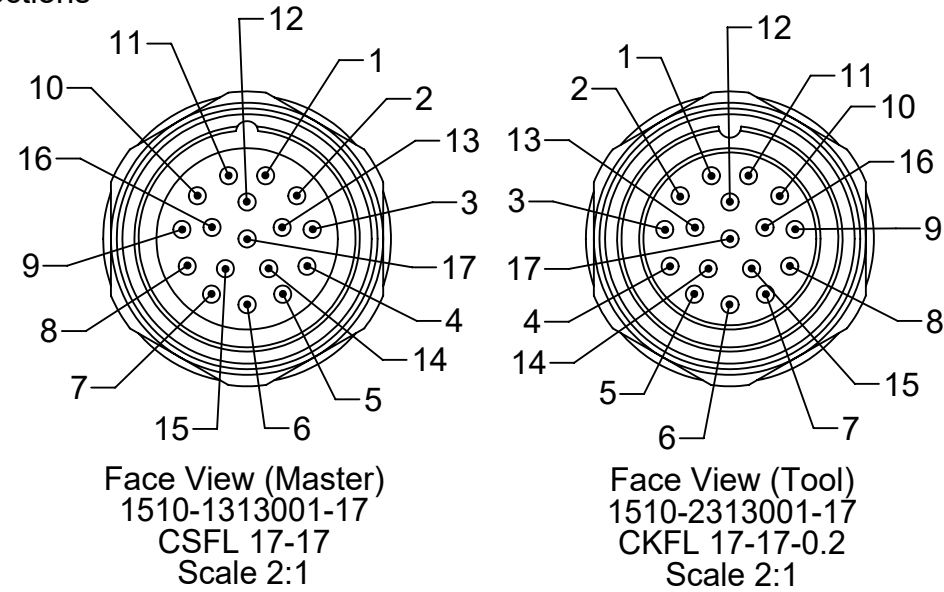
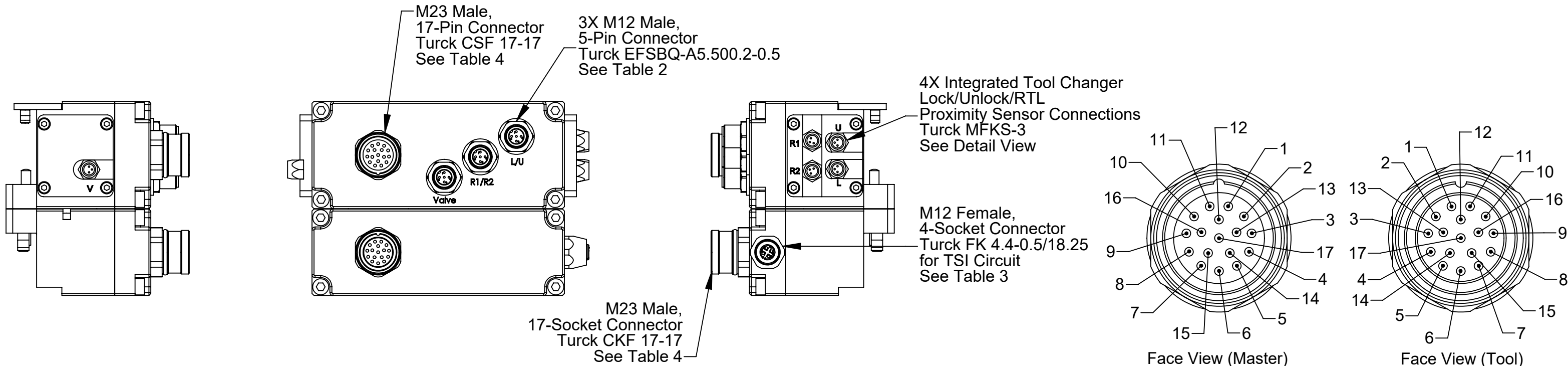
DO NOT SCALE DRAWING. ALL DIMENSIONS ARE IN MILLIMETERS.



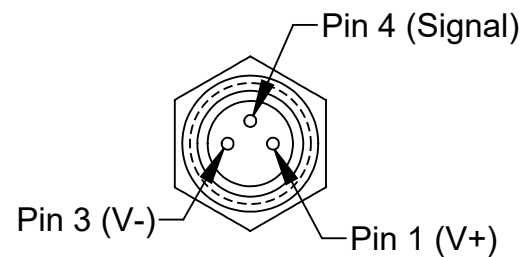
1031 Goodworth Drive, Apex, NC 27539, USA  
Tel: +1.919.772.0115 www.ati-ia.com  
Fax: +1.919.772.8259 ISO 9001 Registered Company

PROPERTY OF ATI INDUSTRIAL AUTOMATION, INC. NOT TO BE REPRODUCED IN ANY MANNER EXCEPT ON ORDER OR WITH PRIOR WRITTEN AUTHORIZATION OF ATI.

DRAWN BY: R. Heavner, 7/20/07		TITLE	
CHECKED BY: B. Digeso, 12/15/07		SD2 Customer Drawing	
PROJECT # 070206-4	SHEET 2 OF 4	SCALE 1:2	SIZE B
DRAWING NUMBER 9630-20-SD2		REVISION 05	

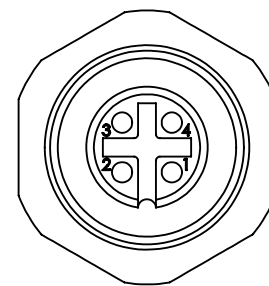


5-pin EuroFast EFSBQ-A5.500.2-0.5  
1510-1313008-05  
Face View, Scale 2:1



3 Pin Pico Female  
1510-2323001-03  
Face View, Scale 2:1

Note: Common Wiring/Color Scheme  
for all Pico Female Connectors  
(R1,R2,L,U,V)



4-pin EuroFast FK 4.4-0.5/18.25  
1510-2313001-04  
Face View, Scale 2:1

Table 3	
4-Pin TSI Connector	
1	N/C
2	TSI In
3	TSI Out
4	N/C

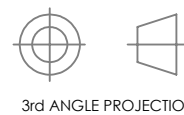
Table 2			
R1/R2 and L/U Connectors		Valve Connector	
1	V+	1	N/C
2	RTL2 or Unlocked	2	Latch
3	V-	3	V-
4	RTL1 or Locked	4	Unlatch
5	PE	5	PE

Note: Common Wiring/Color Scheme  
for all Euro Male Connectors  
(Valve, L/U, R1/R2)

Table 4: M23, 17-Pin Connector	
Pin	Description
1	0V (US1)
2	0V (US2)
3	+24 V (US2)
4	+24 V (US1)
5	PE
6	Profibus B-Line
7	Interbus Data Output +
8	Interbus Data Output -
9	Interbus Data Input +
10	Interbus Data Input -
11	Profibus A-Line
12	CAN1
13	CAN high
14	CAN low
15	N/A
16	N/A
17	CAN2

NOTES: UNLESS OTHERWISE SPECIFIED.

DO NOT SCALE DRAWING. ALL DIMENSIONS ARE IN MILLIMETERS.



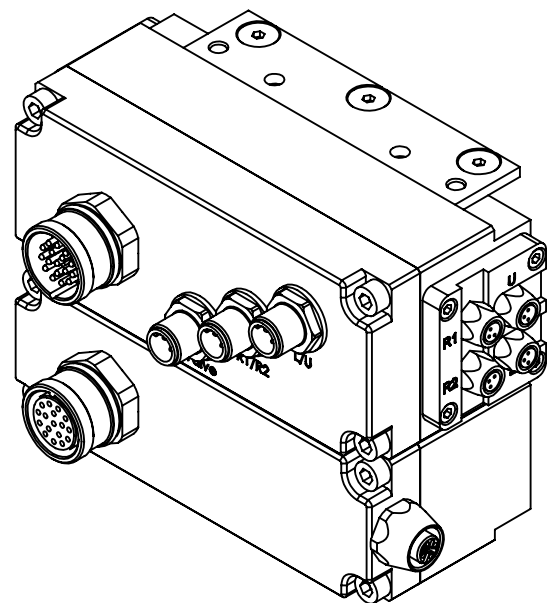
3rd ANGLE PROJECTION



1031 Goodworth Drive, Apex, NC 27539, USA  
Tel: +1.919.772.0115 www.ati-ia.com  
Fax: +1.919.772.8259 ISO 9001 Registered Company

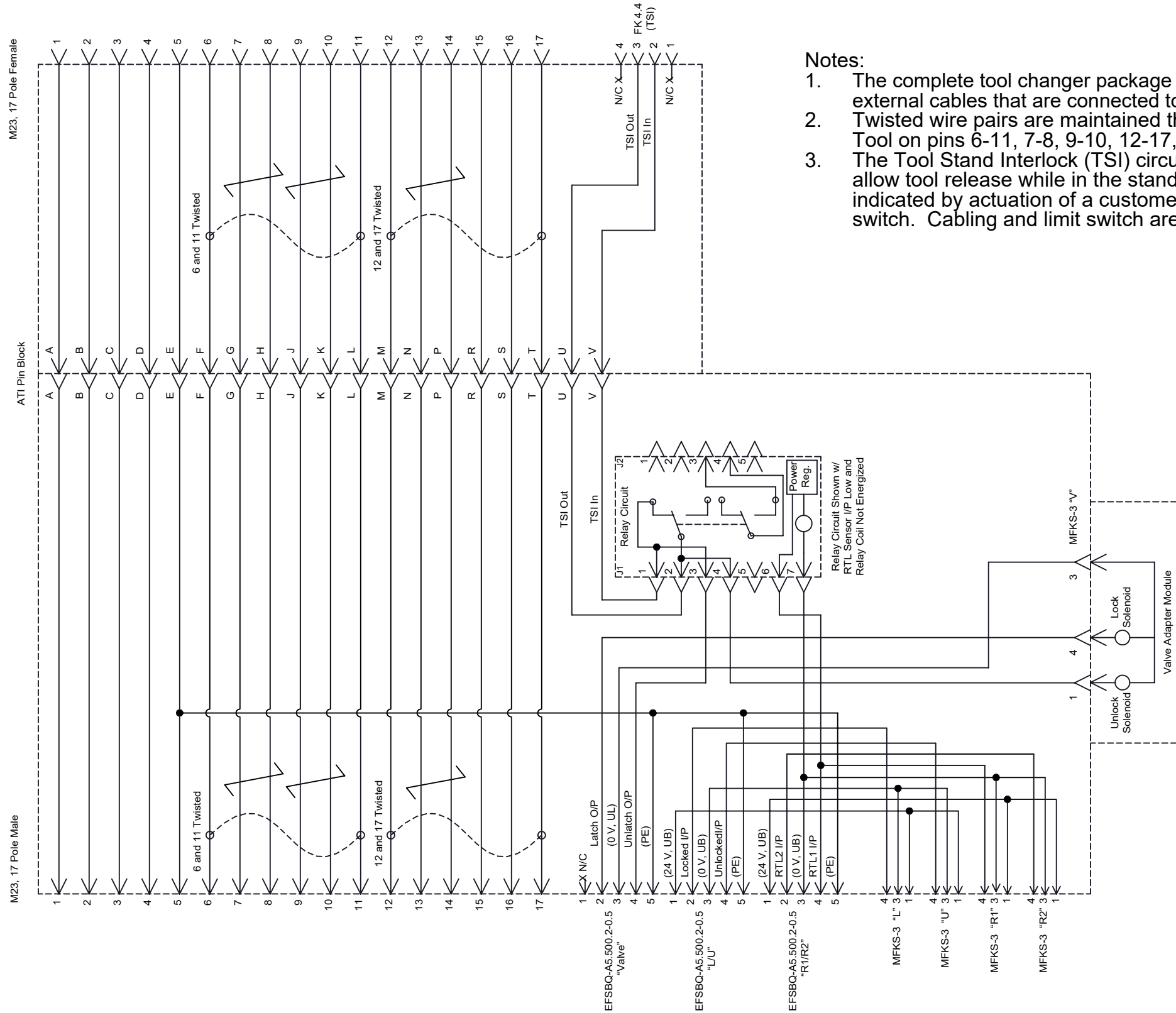
PROPERTY OF ATI INDUSTRIAL AUTOMATION, INC. NOT TO BE REPRODUCED IN ANY MANNER EXCEPT ON ORDER OR WITH PRIOR WRITTEN AUTHORIZATION OF ATI.

DRAWN BY: R. Heavner, 7/20/07		TITLE	
CHECKED BY: B. Digeso, 12/15/07		SD2 Customer Drawing	
PROJECT # 070206-4	SHEET 3 OF 4	SCALE 1:2	SIZE B
DRAWING NUMBER 9630-20-SD2		REVISION 05	



Control/Signal Module, Master  
(9121-SD2-M)

Control/Signal Module, Tool  
(9121-SD2-T)

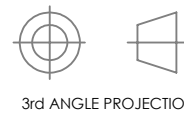


Notes:

1. The complete tool changer package comes equipped with external cables that are connected to the sensors.
2. Twisted wire pairs are maintained through the Master and Tool on pins 6-11, 7-8, 9-10, 12-17, and 13-14.
3. The Tool Stand Interlock (TSI) circuit is provided to ONLY allow tool release while in the stand or storage location as indicated by actuation of a customer-intergrated limit switch. Cabling and limit switch are available from ATI.

NOTES: UNLESS OTHERWISE SPECIFIED.

DO NOT SCALE DRAWING. ALL DIMENSIONS ARE IN MILLIMETERS.



1031 Goodworth Drive, Apex, NC 27539, USA  
Tel: +1.919.772.0115 www.ati-ia.com  
Fax: +1.919.772.8259 ISO 9001 Registered Company

PROPERTY OF ATI INDUSTRIAL AUTOMATION, INC. NOT TO BE REPRODUCED IN ANY MANNER EXCEPT ON ORDER OR WITH PRIOR WRITTEN AUTHORIZATION OF ATI.

DRAWN BY: R. Heavner, 7/20/07		TITLE SD2 Customer Drawing	
CHECKED BY: B. Digeso, 12/15/07		SCALE 1:1	SIZE B
PROJECT # 070206-4	SHEET 4 OF 4	DRAWING NUMBER 9630-20-SD2	REVISION 05