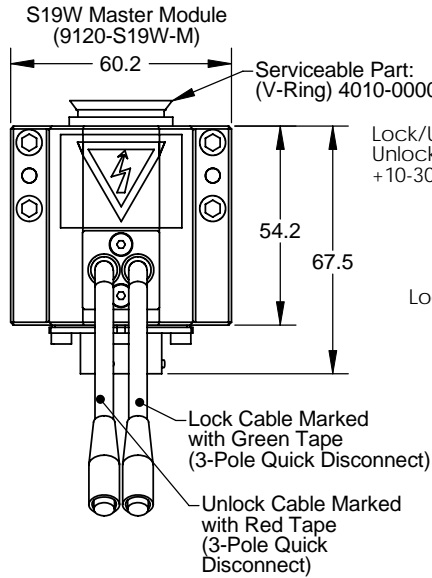
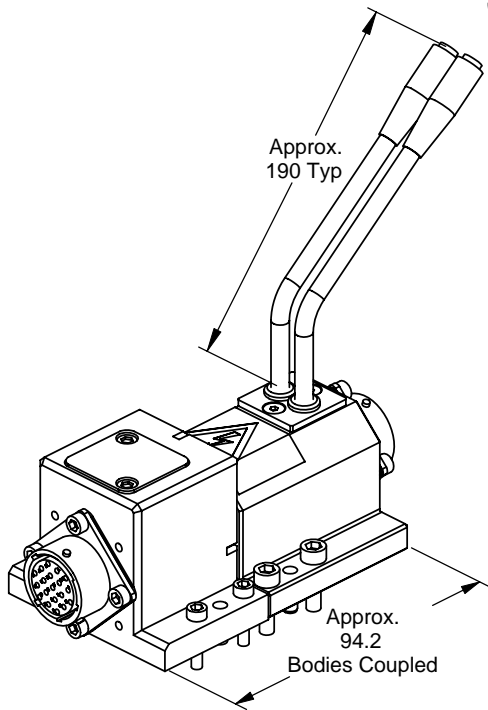


**"DANGER! - For electrical modules using > 60VDC or 42 VAC, NO contact should be attempted before removing power. This especially includes separation or insertion of the mating connectors or any contact with the tool changer or its components."**

Rev.	Description	Initiator	Date
03	Eco 5942: Added "Danger! remove power" note.	CDM	12/13/2007
04	Eco 8320: Corrected orientation of Tool ID PCB and Tool ID Switch.	CF	2/14/2011



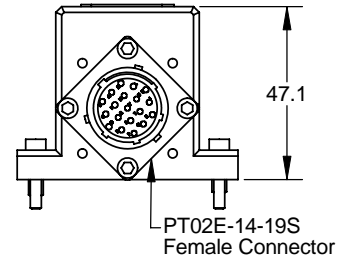
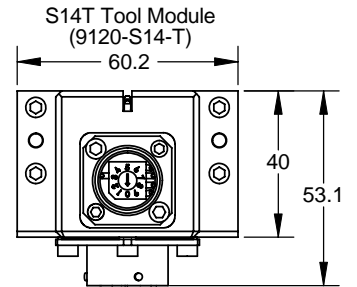
Pin Out

S19W Master PT02E-14-19P	S14 Tool PT02E-14-19S
A	A
B	B
C	C No Connect
D	D No Connect
E	E
F	F
G	G
H	H No Connect
J	J
K	K No Connect
L	L
M	M
N	N
P	P No Connect
R	R No Connect
S	S No Connect
T	T No Connect
U	U No Connect
V	V

Lock/Unlock Cables  
Unlock signal ----- +10-30 VDC-----  
0 VDC-----  
Lock signal -----

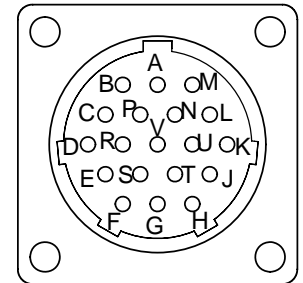
Lock Cable Marked with Green Tape (3-Pole Quick Disconnect)  
Unlock Cable Marked with Red Tape (3-Pole Quick Disconnect)

See Tool ID  
+ Truth  
+ Table  
- Below  
Common  
Ground

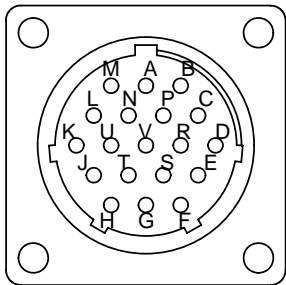


Switch Position	Pin P	Pin S	Pin R	Pin T	Pin U
0	0	0	0	0	C
1	0	0	0	1	COMMON
2	0	0	1	0	COMMON
3	0	0	1	1	COMMON
4	0	1	0	0	COMMON
5	0	1	0	1	COMMON
6	0	1	1	0	COMMON
7	0	1	1	1	COMMON
8	1	0	0	0	COMMON
9	1	0	0	1	COMMON

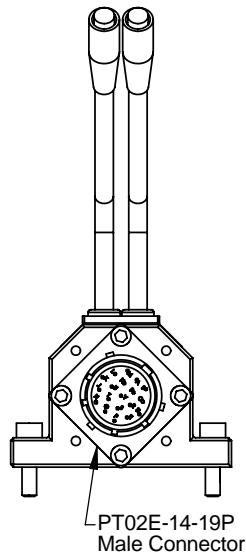
Tool ID Selector Switch Truth Table  
Binary Selector Switch Outputs  
(10 unique settings)  
Common  
50 VDC @ 100ma Max



Bendix Connector  
PT02E-14-19S  
Face Side



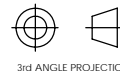
Bendix Connector  
PT02E-14-19P  
Face Side  
(Master)



PT02E-14-19P  
Male Connector

NOTES: UNLESS OTHERWISE SPECIFIED.

DO NOT SCALE DRAWING. ALL DIMENSIONS ARE IN MILLIMETERS.



3rd ANGLE PROJECTION



1031 Goodworth Drive, Apex, NC 27539, USA  
Tel: +1.919.772.0115 Email: info@ati-ia.com  
Fax: +1.919.772.8259 www.ati-ia.com  
ISO 9001 Registered Company

PROPERTY OF ATI INDUSTRIAL AUTOMATION, INC. NOT TO BE REPRODUCED IN ANY MANNER EXCEPT ON ORDER OR WITH PRIOR WRITTEN AUTHORIZATION OF ATI.

DRAWN BY: J.Snape, 7/22/04	TITLE	S19W-M with S14-T Module Drawing		
CHECKED BY: DKL, 7/23/04	SCALE	SIZE	DRAWING NUMBER	REVISION
PROJECT # 040706-1 SHEET 1 OF 1	3:4	B	9630-20-S19W-M, S14-T	04