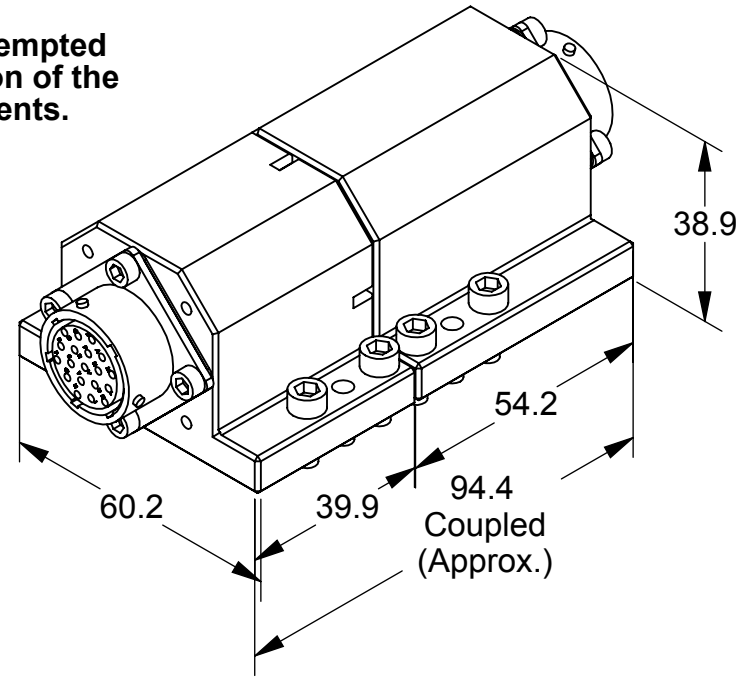
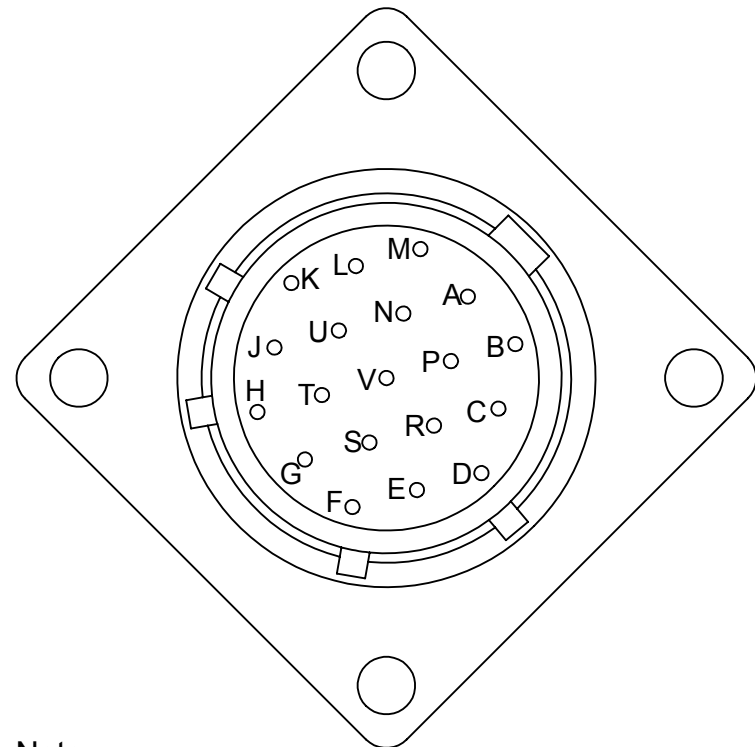
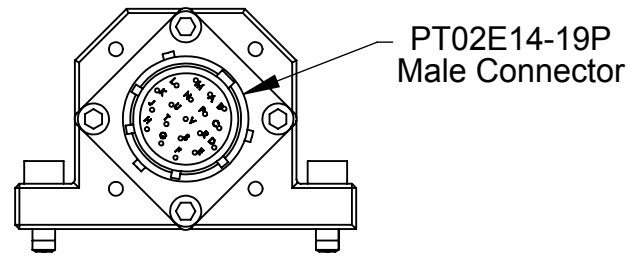
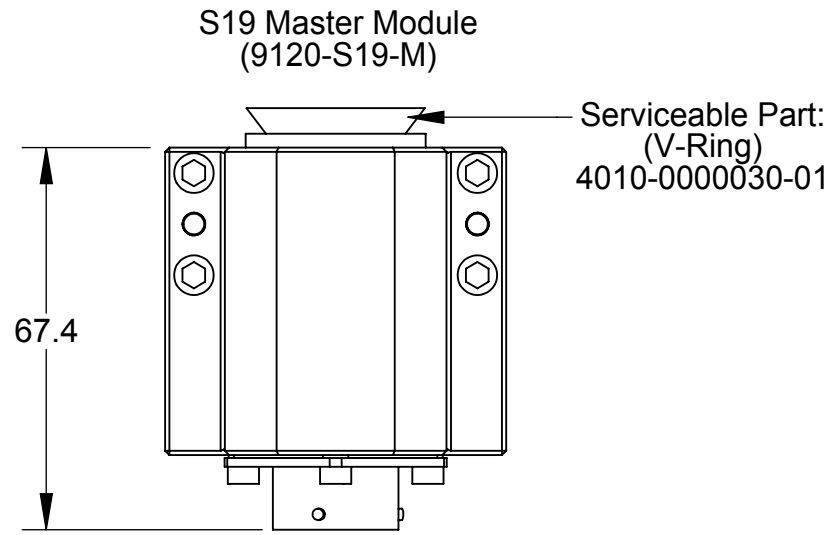


**"DANGER!" - Electrical Shock Hazard**

This module has a Voltage of 50V or greater, NO contact should be attempted before removing power. This especially includes separation or insertion of the mating connectors or any contact with the tool changer or its components.

Rev.	Description	Initiator	Date
06	Eco 13795; Updated to add dowel mounting pattern to tool side module. Updated pin out table.	LJH	9/14/2015



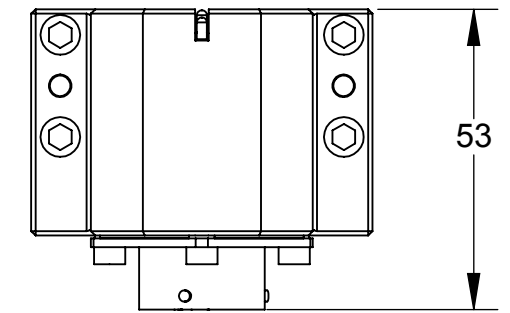
S19 Pin Out

S19 Master  
PT02E14-19P  
Male Connector

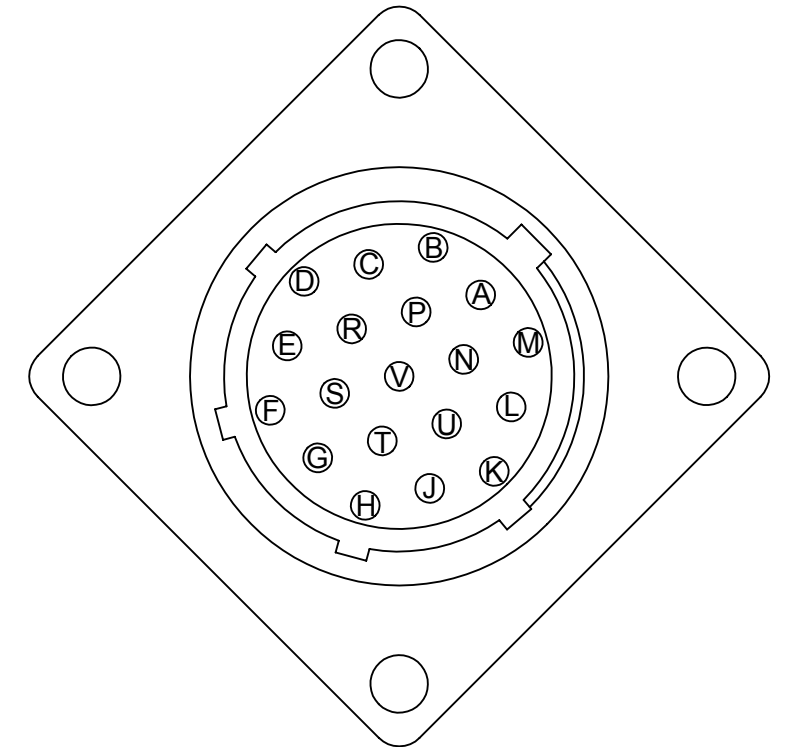
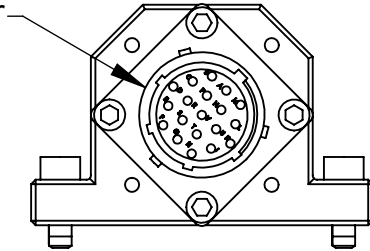
S19 Tool  
PT02E14-19S  
Female Connector

A	-----	A
B	-----	B
C	-----	C
D	-----	D
E	-----	E
F	-----	F
G	-----	G
H	-----	H
J	-----	J
K	-----	K
L	-----	L
M	-----	M
N	-----	N
P	-----	P
R	-----	R
S	-----	S
T	-----	T
U	-----	U
V	-----	V

S19 Tool Module  
(9120-S19-T)



PT02E14-19S  
Female Connector



- Note:
1. Large views of connectors are 2.5:1 scale.
  2. Pin "V" on the amphenol connectors is First-to-mate Last-to-break at the Tool Changer interface. This pin is recommended for use as ground.

NOTES: UNLESS OTHERWISE SPECIFIED.

DO NOT SCALE DRAWING. ALL DIMENSIONS ARE IN MILLIMETERS.



3rd ANGLE PROJECTION



1031 Goodworth Drive, Apex, NC 27539, USA  
Tel: +1.919.772.0115 Email: info@ati-ia.com  
Fax: +1.919.772.8259 www.ati-ia.com  
ISO 9001 Registered Company

PROPERTY OF ATI INDUSTRIAL AUTOMATION, INC. NOT TO BE REPRODUCED IN ANY MANNER EXCEPT ON ORDER OR WITH PRIOR WRITTEN AUTHORIZATION OF ATI.

DRAWN BY: P.Sparrow, 7/11/03

CHECKED BY: D.Swanson 8/10/04

PROJECT # 030725-3 SHEET 1 OF 1

TITLE  
S19 Module Drawing

SCALE	SIZE	DRAWING NUMBER	REVISION
3:4	B	9630-20-S19	06