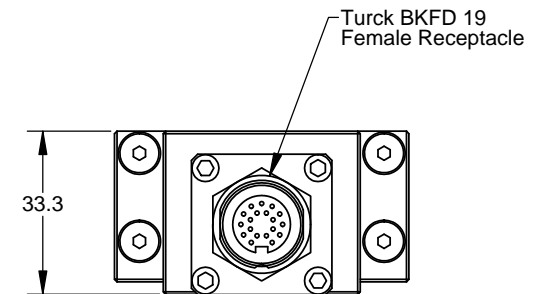
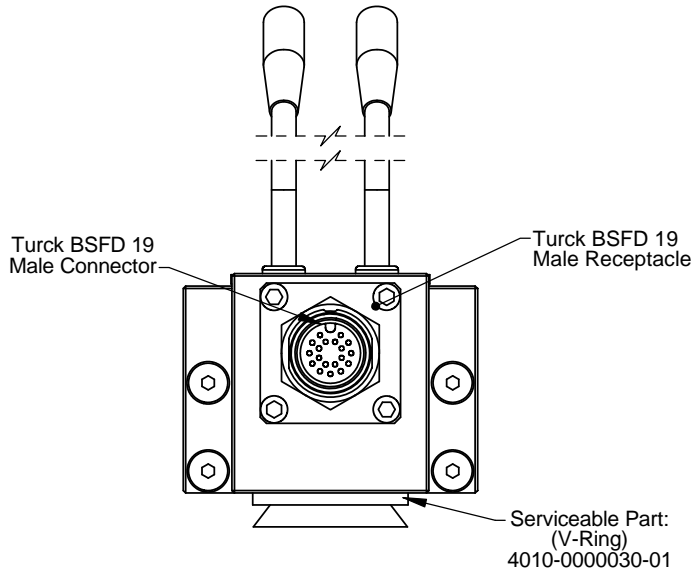
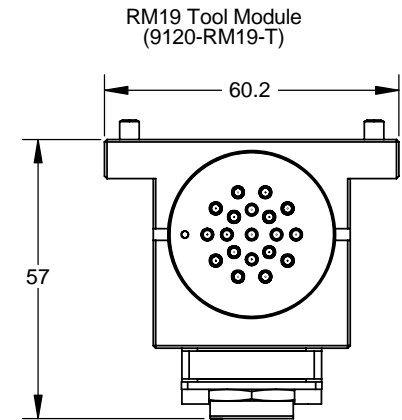
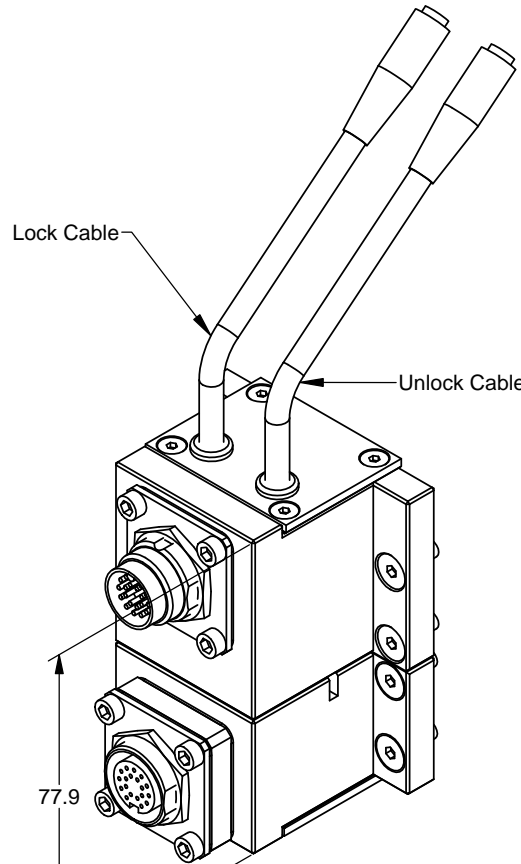
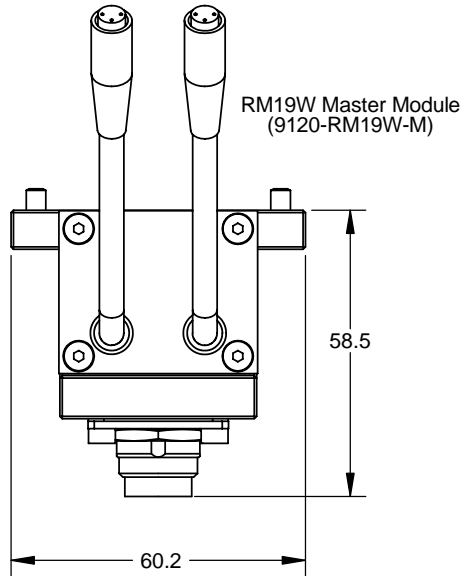
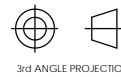


PROPERTY OF ATI INDUSTRIAL AUTOMATION, INC.
 NOT TO BE REPRODUCED IN ANY MANNER EXCEPT ON
 ORDER OR WITH PRIOR WRITTEN AUTHORIZATION OF ATI.

Rev.	Description	Initiator	Date
01	Initial Issue	KLP	10/4/07



NOTES: UNLESS OTHERWISE SPECIFIED
 DO NOT SCALE DRAWING. DRAWN IN SOLIDWORKS.
 ALL DIMENSIONS ARE IN MILLIMETERS.



1031 Goodworth Drive, Apex, NC 27539, USA
 Tel: +1.919.772.0115 Email: info@ati-ia.com
 Fax: +1.919.772.8259 www.ati-ia.com
 ISO 9001 Registered Company

DRAWN BY: K Potts 10/4/07	TITLE: RM19W-M with RM19-T Module Drawing		
CHECKED BY: -----	SCALE: 1:1	SIZE: B	DRAWING NUMBER: 9630-20-RM19W-M RM19-T-01
WEIGHT LBS: .90	PRODUCT RELEASE # -	DATE:	SHEET 1 OF 2
ASSEMBLY REF:			

