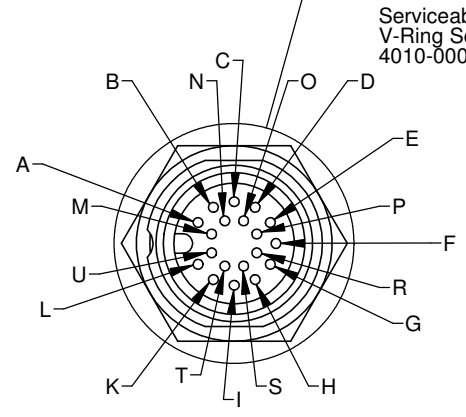
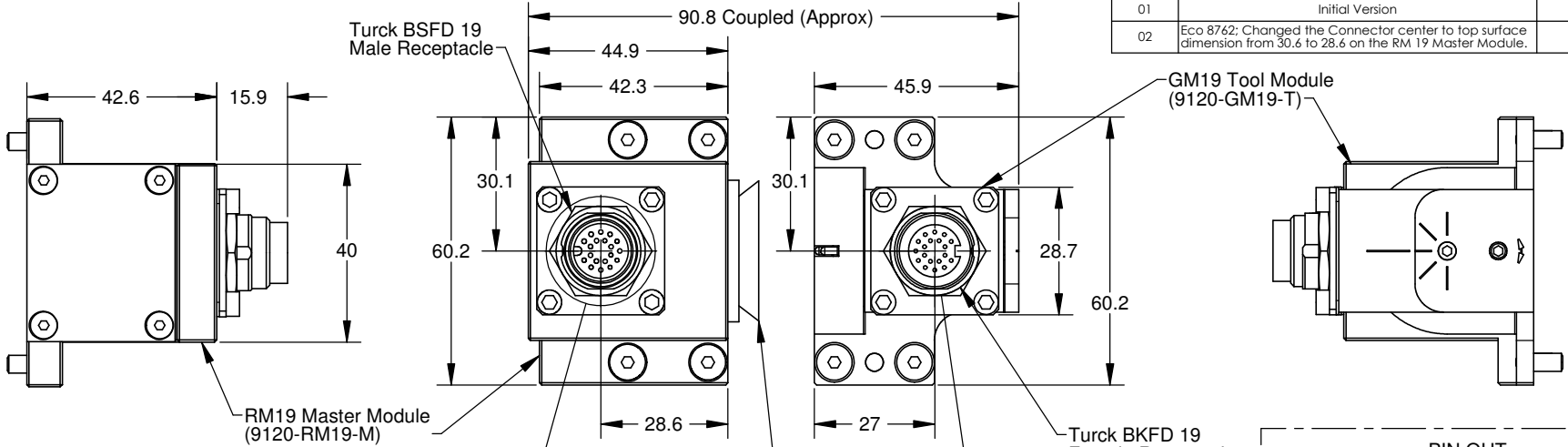
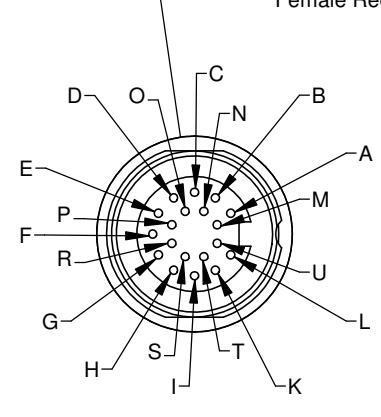


Rev.	Description	Initiator	Date
01	Initial Version	KLP	10/2/07
02	Eco 8742: Changed the Connector center to top surface dimension from 30.6 to 28.6 on the RM 19 Master Module.	CF	8/19/2011



DETAIL A  
SCALE 2 : 1  
MASTER



DETAIL B  
SCALE 2 : 1  
TOOL

PIN OUT	
RM19 MASTER Turck BSFD 19 Male Receptacle	GM19 TOOL Turck BKFD 19 Female Receptacle
A	----- A
B	----- B
C	----- C
D	----- D
E	----- E
F	----- F
G	----- G
H	----- H
I	----- I
K	----- K
L	----- L
M	----- M
N	----- N
O	----- O
P	----- P
R	----- R
S	----- S
T	----- T
U	----- U (SEE NOTE)
	GROUND

NOTES:

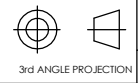
- 1) Pin "U" on the connectors is First-to-mate, Last-to-break at the Tool Changer interface. This pin is recommended for use as ground.
- 2) DANGER! - For electrical modules using > 60 VDC or 42 VAC, NO contact should be attempted before removing power. This especially includes separation or insertion of the mating connectors or any contact with the tool changer or its' components.

NOTES: UNLESS OTHERWISE SPECIFIED.  
DO NOT SCALE DRAWING. ALL DIMENSIONS ARE IN MILLIMETERS.



1031 Goodworth Drive, Apex, NC 27539, USA  
Tel: +1.919.772.0115 Email: info@ati-ia.com  
Fax: +1.919.772.8259 www.ati-ia.com  
ISO 9001 Registered Company

PROPERTY OF ATI INDUSTRIAL AUTOMATION, INC. NOT TO BE REPRODUCED IN ANY MANNER EXCEPT ON ORDER OR WITH PRIOR WRITTEN AUTHORIZATION OF ATI.



DRAWN BY: K Potts, 10/2/07	TITLE
CHECKED BY: DKL, 10/2/07	RM19-M with GM19-T Module Drawing
PROJECT # ----- SHEET 1 OF 1	SCALE SIZE DRAWING NUMBER REVISION
	1:1 B 9630-20-RM19M GM19T 02