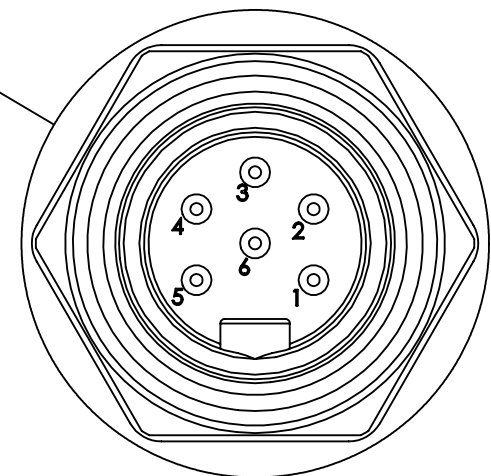
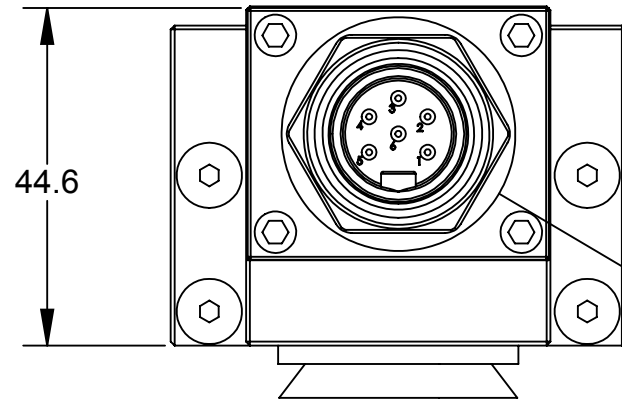
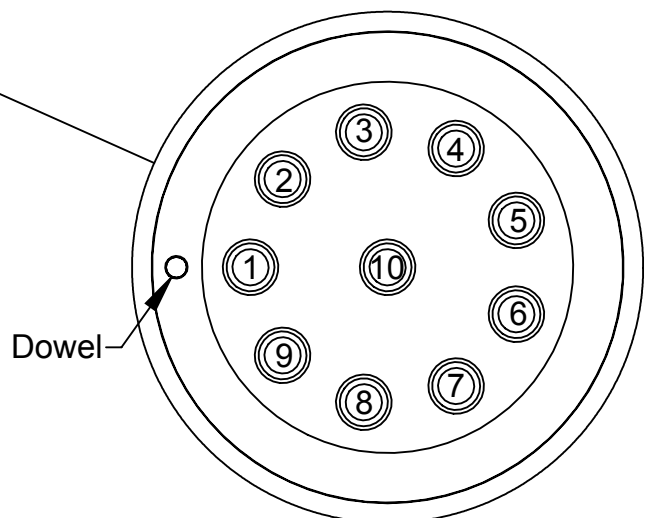
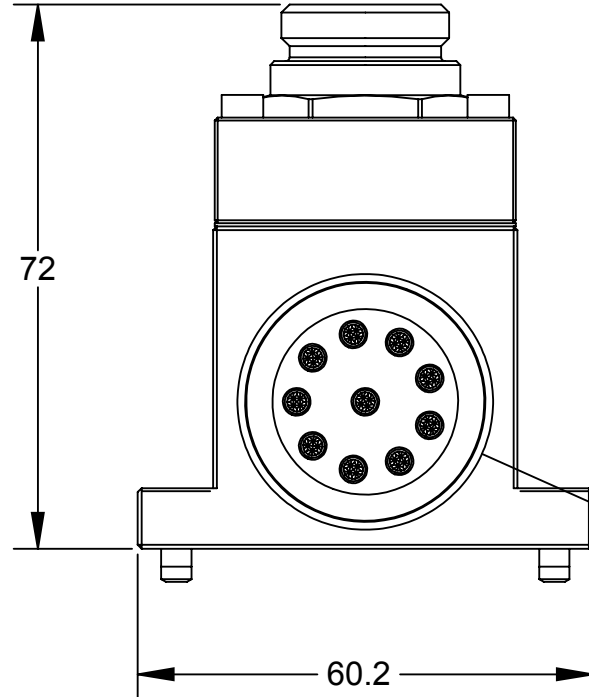


Rev.	Description	Initiator	Date
02	Initial Release	MN	6/1/2016

### 9120-RF6A-M Master Module

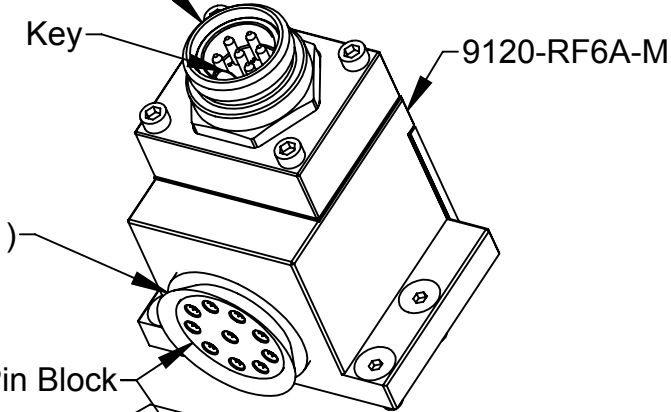


Turck RSFL66  
6-Pin Male Connector  
SCALE 2 : 1

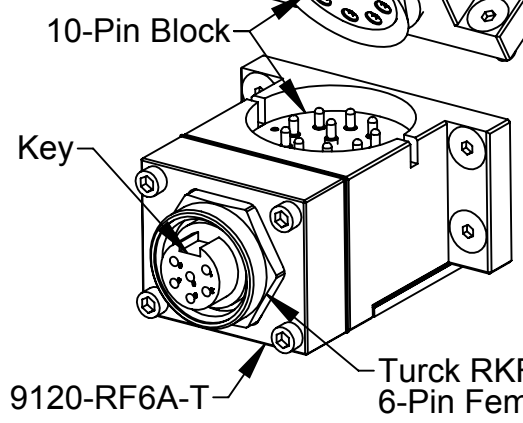


10-Pin Master Pin Block  
SCALE 2 : 1

Turck RSFL66  
6-Pin Male Connector

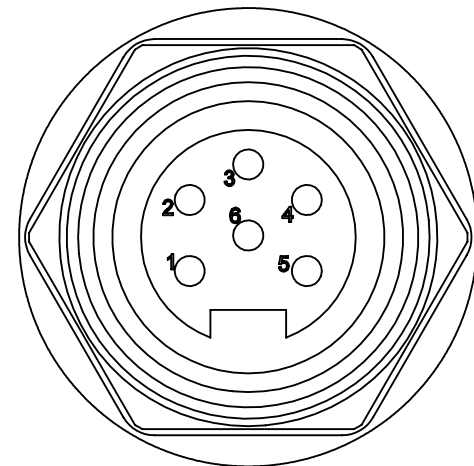
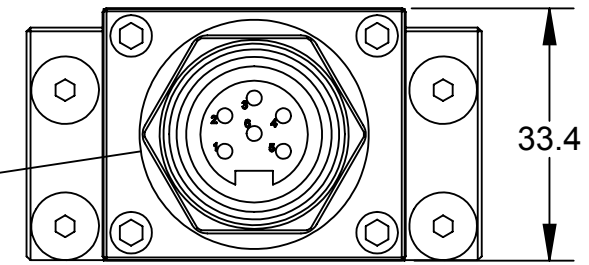


Serviceable Part:  
(V-Ring)  
(4010-0000030-01)

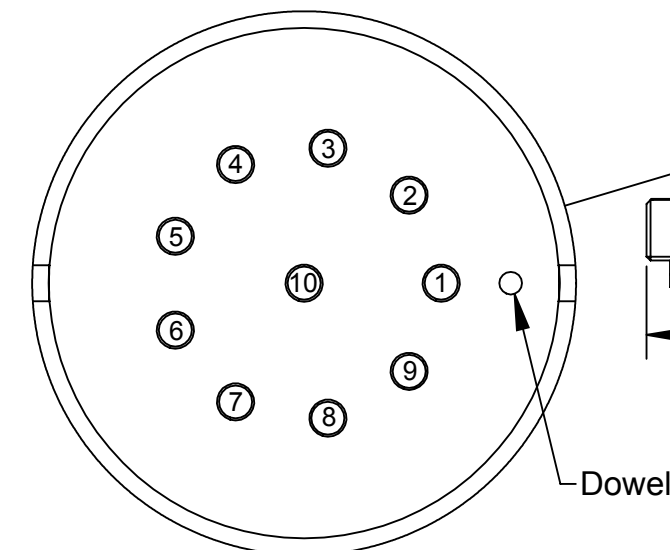
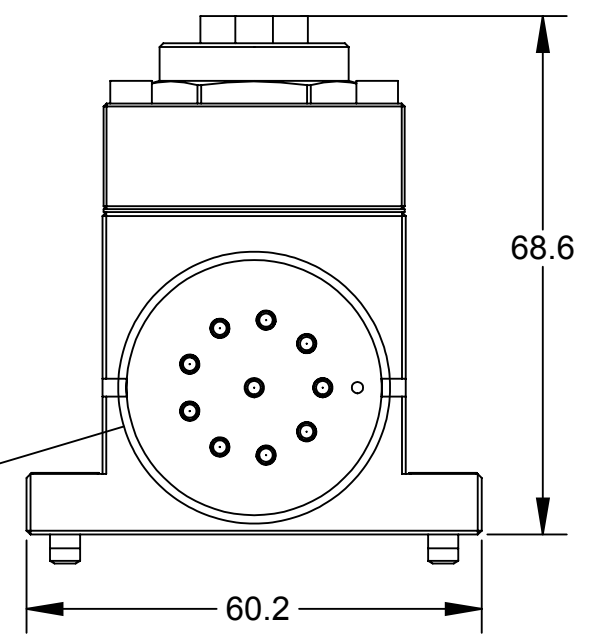


9120-RF6A-T  
Turck RKFL66  
6-Pin Female Connector

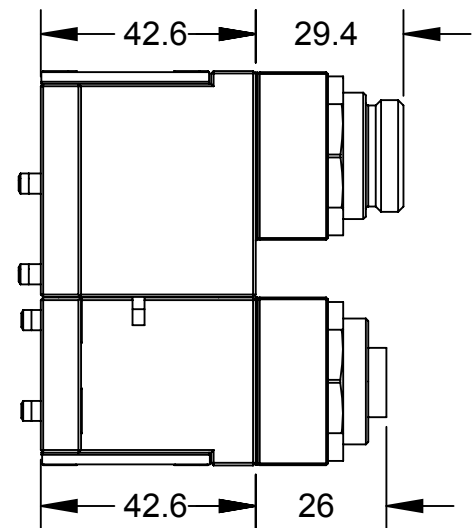
### 9120-RF6A-T Tool Module



Turck RKFL66  
6-Pin Female Connector  
SCALE 2 : 1



10-Pin Tool Pin Block  
SCALE 2 : 1



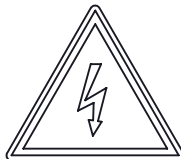
NOTES: UNLESS OTHERWISE SPECIFIED.

DO NOT SCALE DRAWING. ALL DIMENSIONS ARE IN MILLIMETERS.



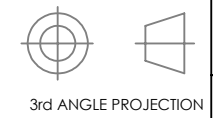
1031 Goodworth Drive, Apex, NC 27539, USA  
Tel: +1.919.772.0115 Email: info@ati-ia.com  
Fax: +1.919.772.8259 www.ati-ia.com  
ISO 9001 Registered Company

PROPERTY OF ATI INDUSTRIAL AUTOMATION, INC. NOT TO BE REPRODUCED IN ANY MANNER EXCEPT ON ORDER OR WITH PRIOR WRITTEN AUTHORIZATION OF ATI.



### "DANGER!" - Electrical Shock Hazard

This module has a Voltage of 50V or greater, NO contact should be attempted before removing power. This especially includes separation or insertion of the mating connectors or any contact with the tool changer or its components.

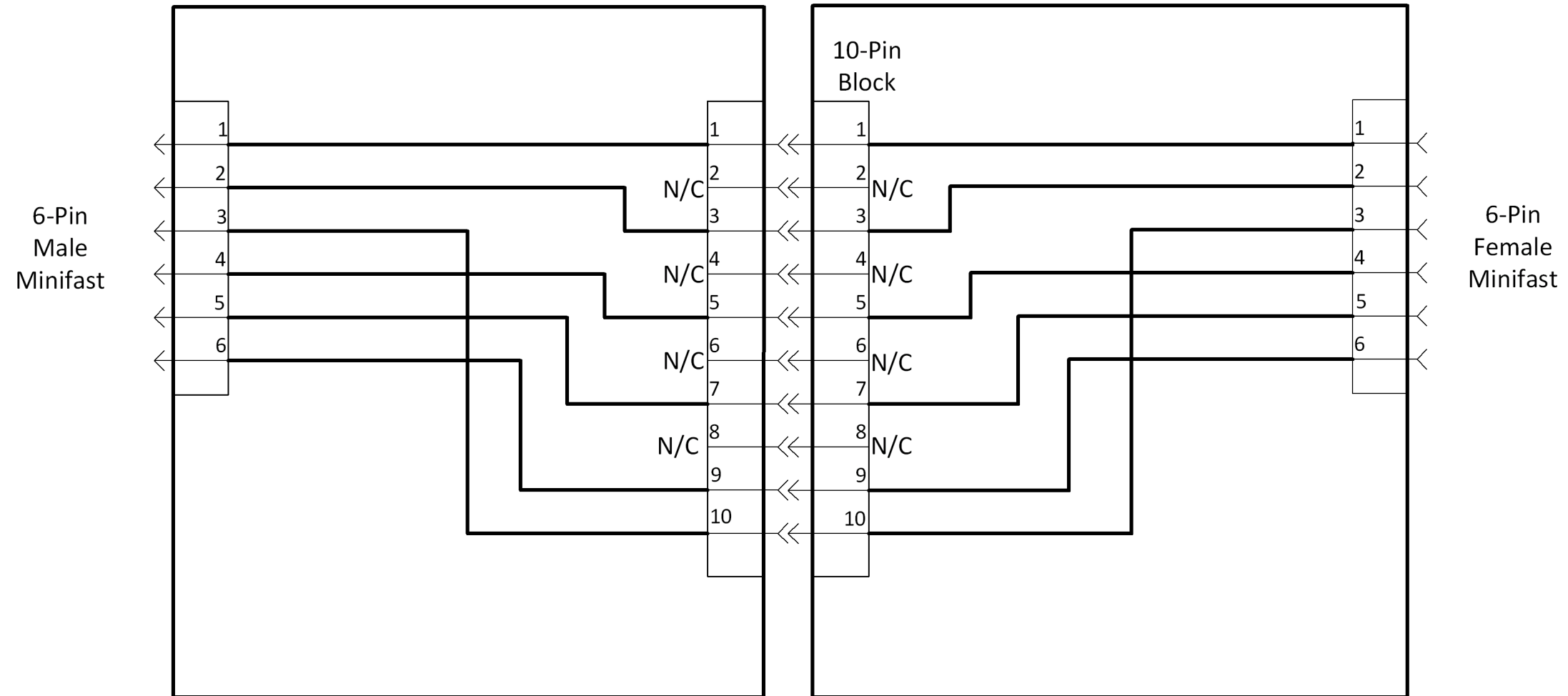


DRAWN BY: M. Newell, 4/21/16		TITLE	
CHECKED BY: W. Berrocal, 4/28/16 L. Jamshidi, 5/3/16		RF6A Electrical Module Drawing	
PROJECT # 160419-1	SHEET 1 OF 2	SCALE 1:1	SIZE B
		DRAWING NUMBER 9630-20-RF6A	REVISION 02

Rev.	Description	Initiator	Date
-	See Sheet1	-	-

## 9120-RF6A-M

## 9120-RF6A-T



**Notes:**

1. Pin 10 of the Pin Block is first-to-make, last-to-break, and is recommended for Ground.
2. Rating: 9A / 250VAC

NOTES: UNLESS OTHERWISE SPECIFIED.

DO NOT SCALE DRAWING. ALL DIMENSIONS ARE IN MILLIMETERS.



3rd ANGLE PROJECTION



1031 Goodworth Drive, Apex, NC 27539, USA  
 Tel: +1.919.772.0115 Email: info@ati-ia.com  
 Fax: +1.919.772.8259 www.ati-ia.com  
 ISO 9001 Registered Company

PROPERTY OF ATI INDUSTRIAL AUTOMATION, INC. NOT TO BE REPRODUCED IN ANY MANNER EXCEPT ON ORDER OR WITH PRIOR WRITTEN AUTHORIZATION OF ATI.

DRAWN BY: M. Newell, 4/21/16		TITLE	
CHECKED BY: W. Berrocal, 4/28/16 L. Jamshidi, 5/3/16		RF6A Electrical Module Drawing	
PROJECT #	160419-1	SHEET	OF 2
SCALE	1:1	SIZE	B
DRAWING NUMBER	9630-20-RF6A		REVISION
			02