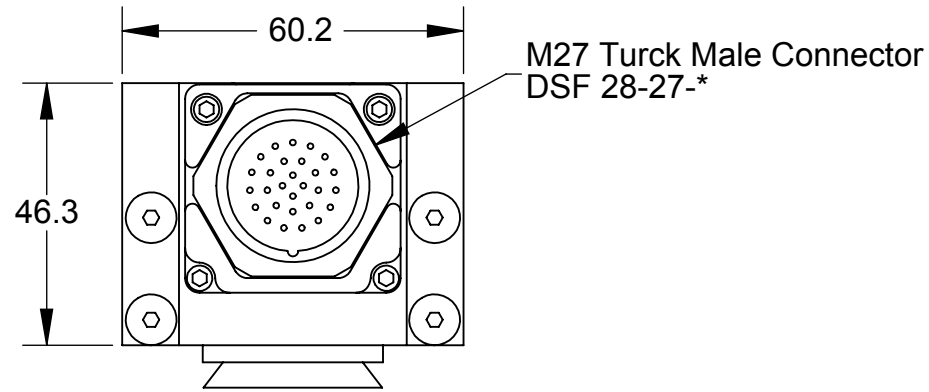
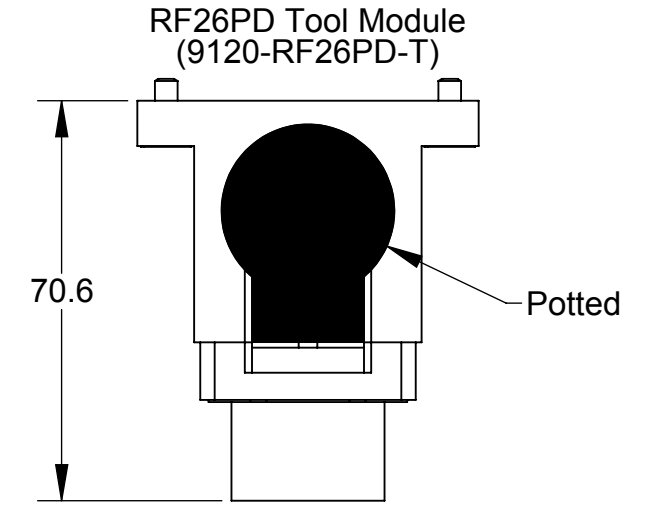
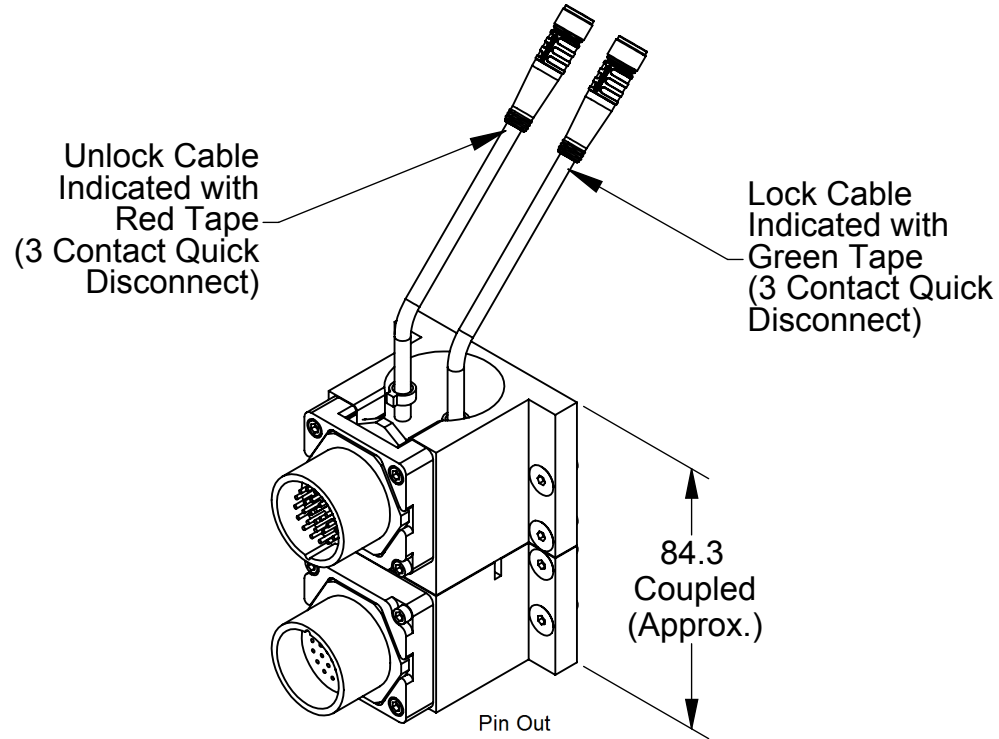
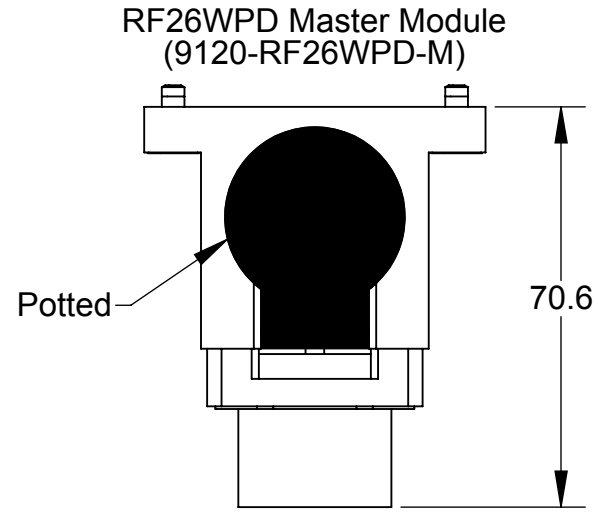
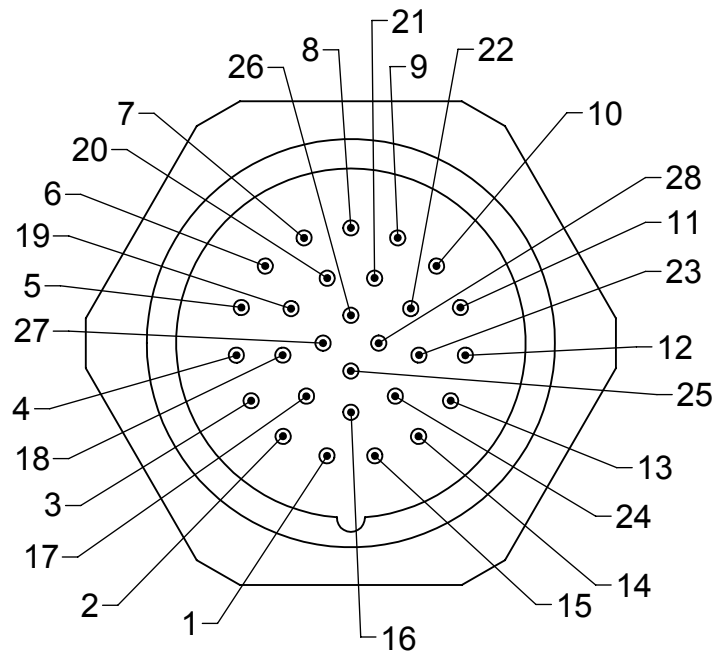
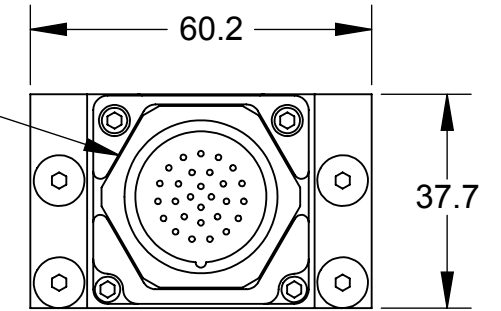


Rev.	Description	Initiator	Date
02	Eco 10391; Updated Pin Out chart to show Pins 4 & 8 as wired through.	CF	12/6/2012

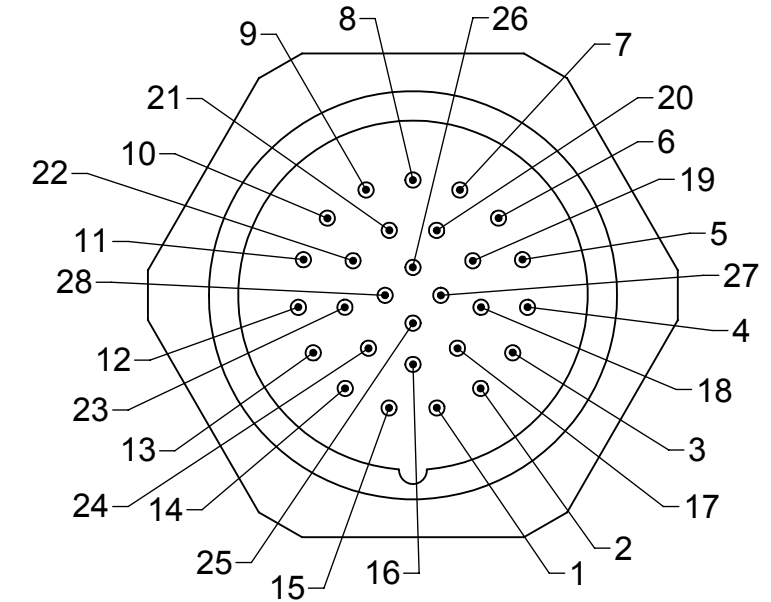


M27 Turck Female Connector DKF 28-27-*



Lock/Unlock Cables	Master Male Connector	Tool Female Connector
	1----->>-----1	
	2----->>-----2	
	3----->>-----3	
10-30 VDC	4----->>-----4	
	5----->>-----5	
	6----->>-----6	
	7----->>-----7	
0 VDC	8----->>-----8	
	9----->>-----9	
Lock Signal	10----->>-----10	(n/c)
	11----->>-----11	
	12----->>-----12	
	13----->>-----13	
	14----->>-----14	
	15----->>-----15	
	16----->>-----16	
	17----->>-----17	
	18----->>-----18	
	19----->>-----19	
	20----->>-----20	
	21----->>-----21	
	22----->>-----22	
	23----->>-----23	
	24----->>-----24	
	25----->>-----25	
	26----->>-----26	
Unlock Signal	27----->>-----27	(n/c)
	28----->>-----28	(n/c)

(See Note 2)



- Notes:
1. Large views of connectors are 2:1 scale.
 2. Pin 26 on the Turck connector is First-to-mate Last-to-break at the tool changer interface. This pin is recommended for use as ground.
 3. Lock/Unlock cables only shown in center view for clarity.
 4. DANGER! - For electrical modules using > 60 VDC or 42 VAC, NO contact should be attempted before removing power. This especially includes separation or insertion of the mating connectors or any contact with the tool changer or its' components.

NOTES: UNLESS OTHERWISE SPECIFIED.

DO NOT SCALE DRAWING. ALL DIMENSIONS ARE IN MILLIMETERS.



1031 Goodworth Drive, Apex, NC 27539, USA
 Tel: +1.919.772.0115 Email: info@ati-ia.com
 Fax: +1.919.772.8259 www.ati-ia.com
 ISO 9001 Registered Company

PROPERTY OF ATI INDUSTRIAL AUTOMATION, INC. NOT TO BE REPRODUCED IN ANY MANNER EXCEPT ON ORDER OR WITH PRIOR WRITTEN AUTHORIZATION OF ATI.

DRAWN BY: P.Sparrow, 3/12/09		TITLE	
CHECKED BY: D.Swanson, 3/16/09		RF26WPD-M with RF26PD-T Potted Module Drawing	
PROJECT # 081014-1	SHEET 1 OF 1	SCALE 3:4	SIZE B
DRAWING NUMBER 9630-20-RF26WPDM RF26PDT		REVISION 02	