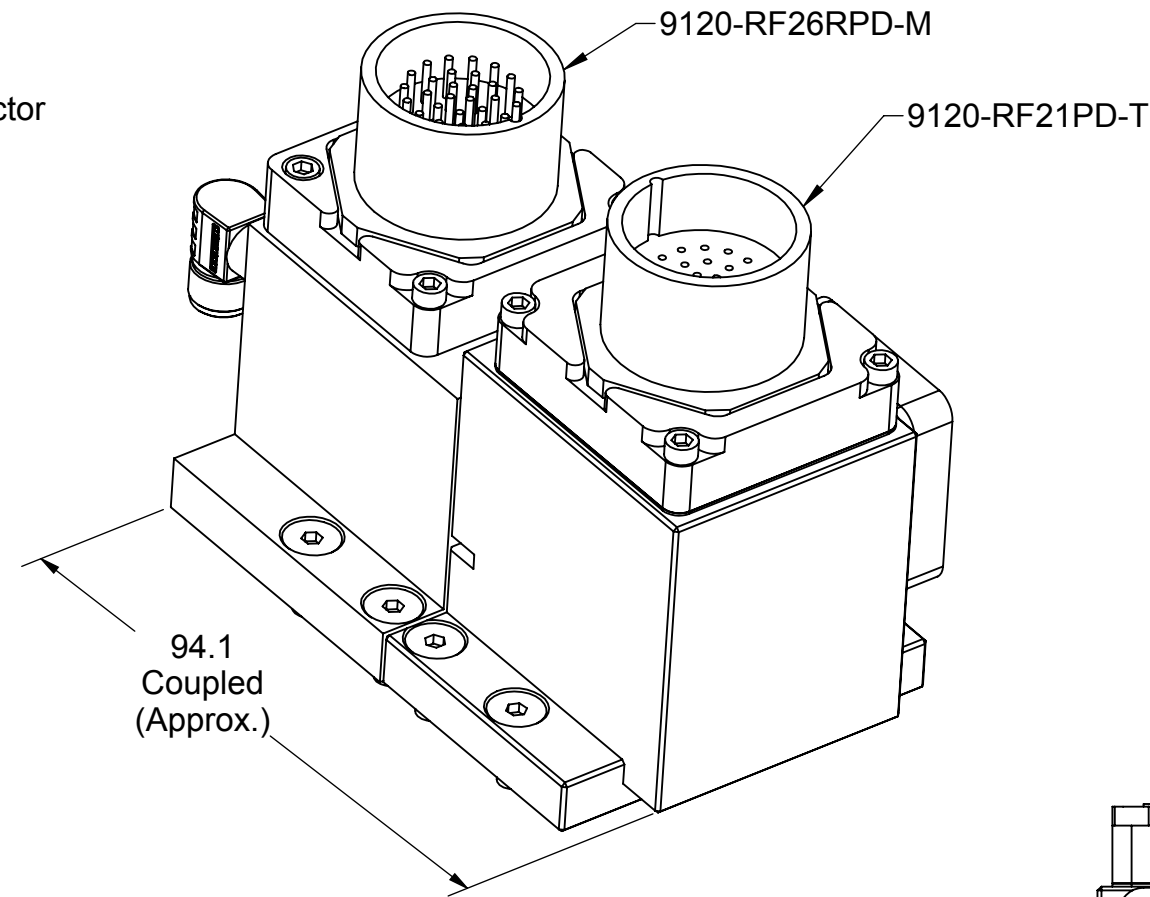
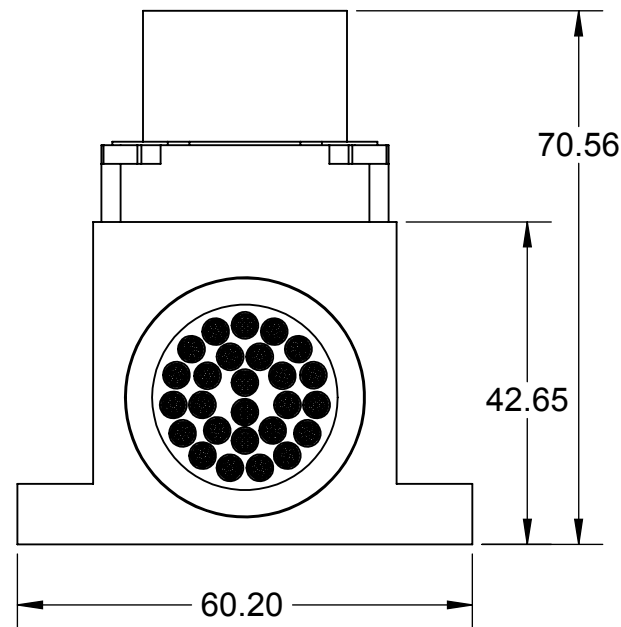
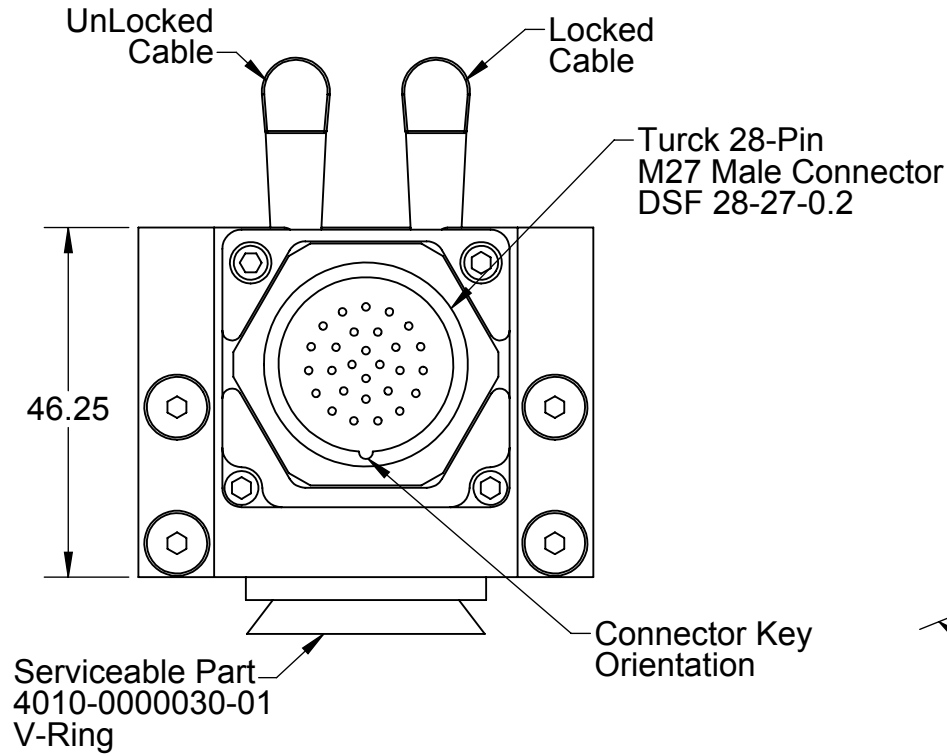


"DANGER! - For electrical modules using > 60VDC or 42 VAC, NO contact should be attempted before removing power. This especially includes separation or insertion of the mating connectors or any contact with the tool changer or its components."

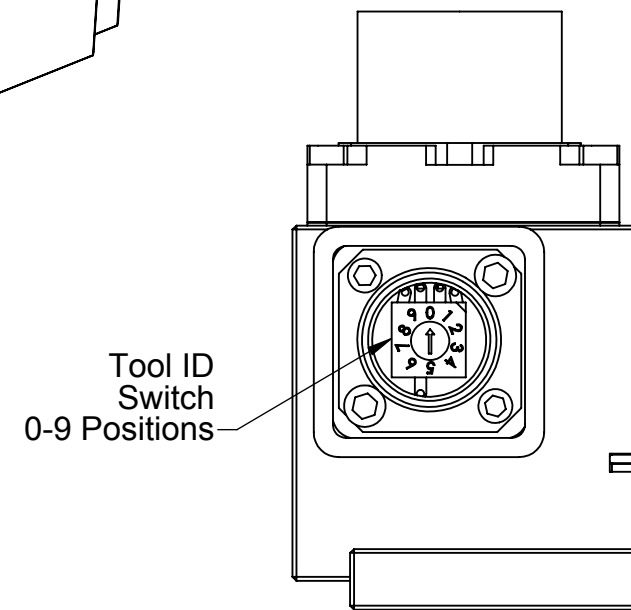
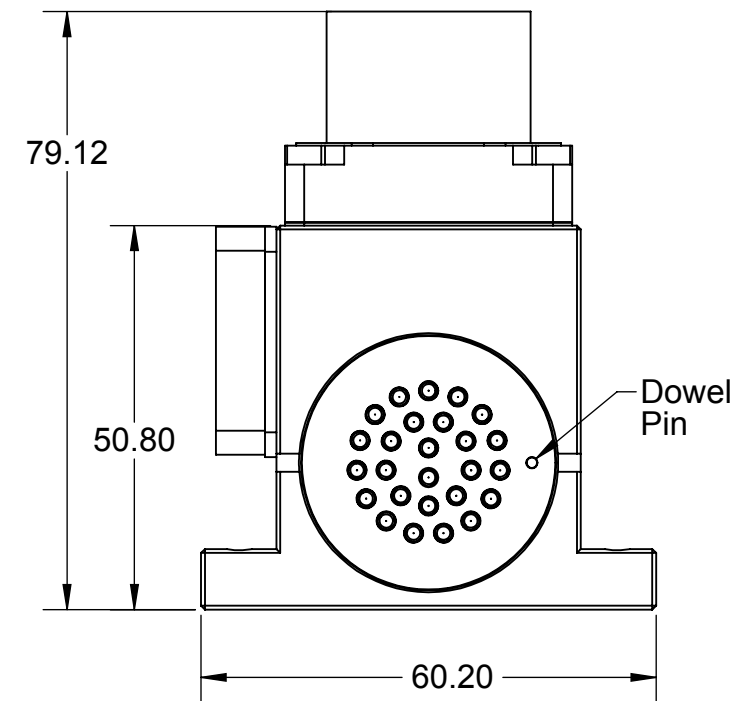
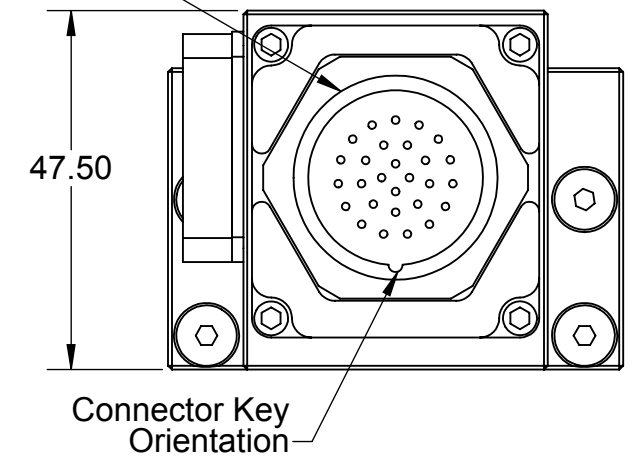
Rev.	Description	Initiator	Date
01	Initial release	PDL	7/21/2014

9120-RF26RPD-M



9120-RF21PD-T

Turck 28-Pin M27 Female connector DKF 28-27-0.2



- Notes:
1. Module Electrical rating: 3 AMPS/ 150 VAC
 2. Customer approval of electrical schematic is required.
 3. Customer is to approve connector selection and orientation.
 4. See sheet 3 for module wiring schematic.
 5. See Sheet 2 for Customer Interface information.

NOTES: UNLESS OTHERWISE SPECIFIED.

DO NOT SCALE DRAWING. ALL DIMENSIONS ARE IN MILLIMETERS.



3rd ANGLE PROJECTION



1031 Goodworth Drive, Apex, NC 27539, USA
 Tel: +1.919.772.0115 Email: info@ati-ia.com
 Fax: +1.919.772.8259 www.ati-ia.com
 ISO 9001 Registered Company

PROPERTY OF ATI INDUSTRIAL AUTOMATION, INC. NOT TO BE REPRODUCED IN ANY MANNER EXCEPT ON ORDER OR WITH PRIOR WRITTEN AUTHORIZATION OF ATI.

DRAWN BY: P.Luczka, 7/28/14		TITLE	
CHECKED BY: W.Berrocal, 7/30/14 M.Hallmark, 7/30/14		RF26RPD-M with RF21PD-T Potted Module Drawing	
PROJECT #	120111-1 SHEET 1 OF 3	SCALE	1:2
SIZE	B	DRAWING NUMBER	9630-20-RF26RPDM RF21PDT
			REVISION
			01

Rev.	Description	Initiator	Date
-	See Sheet1	-	-

9120-RF26RPD-M

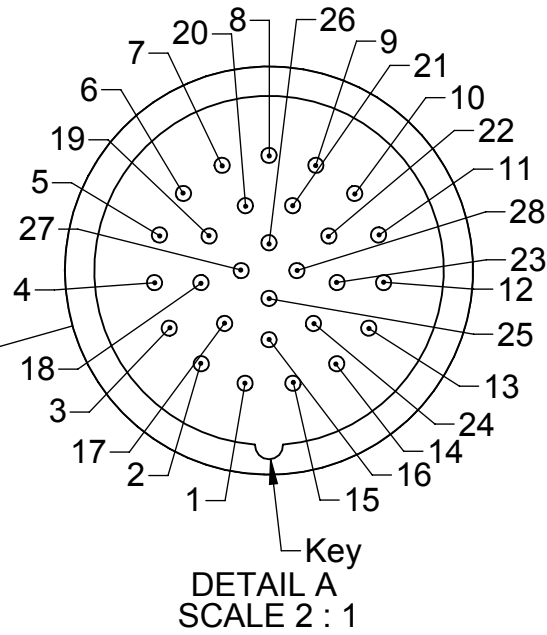
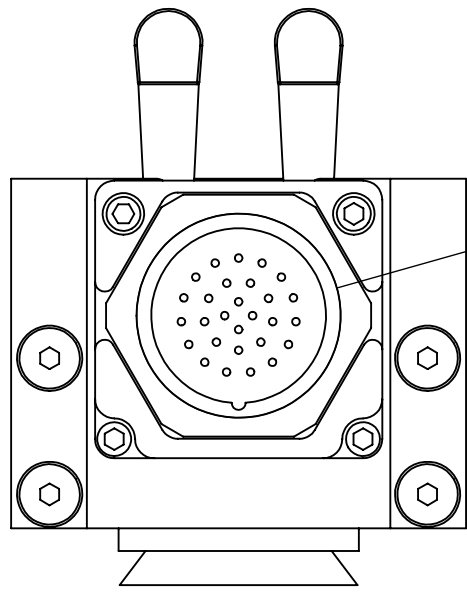
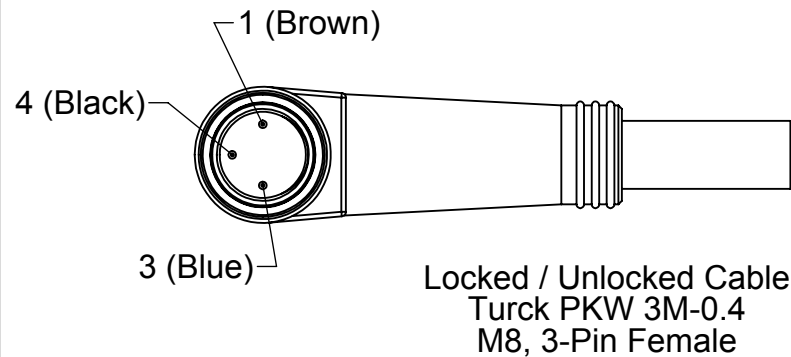
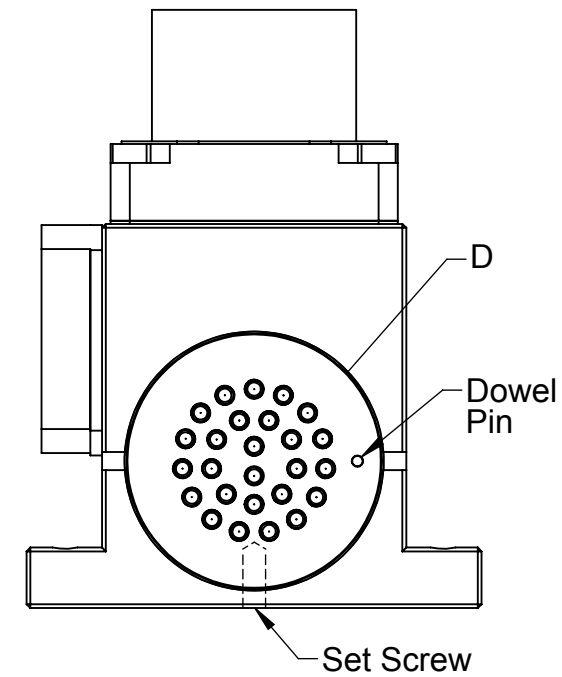
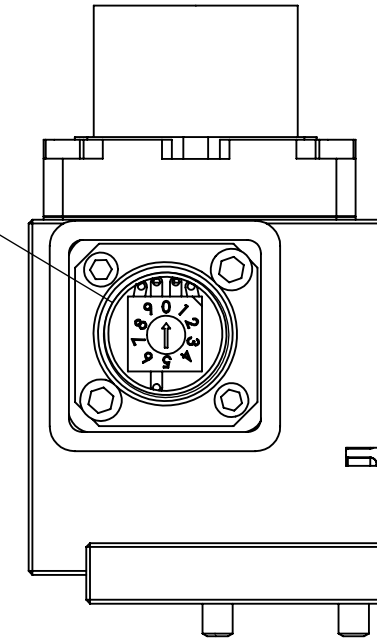
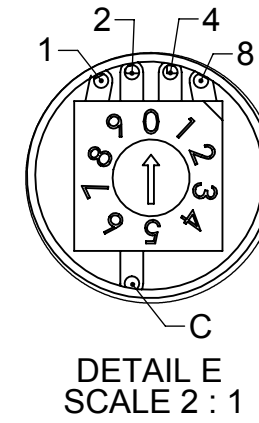
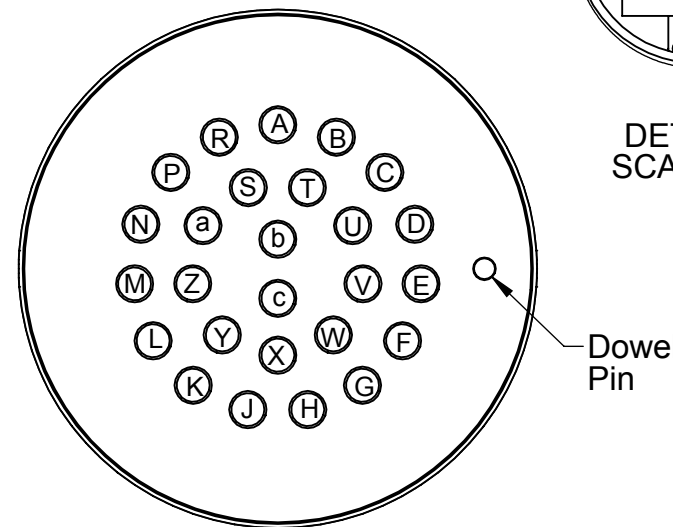
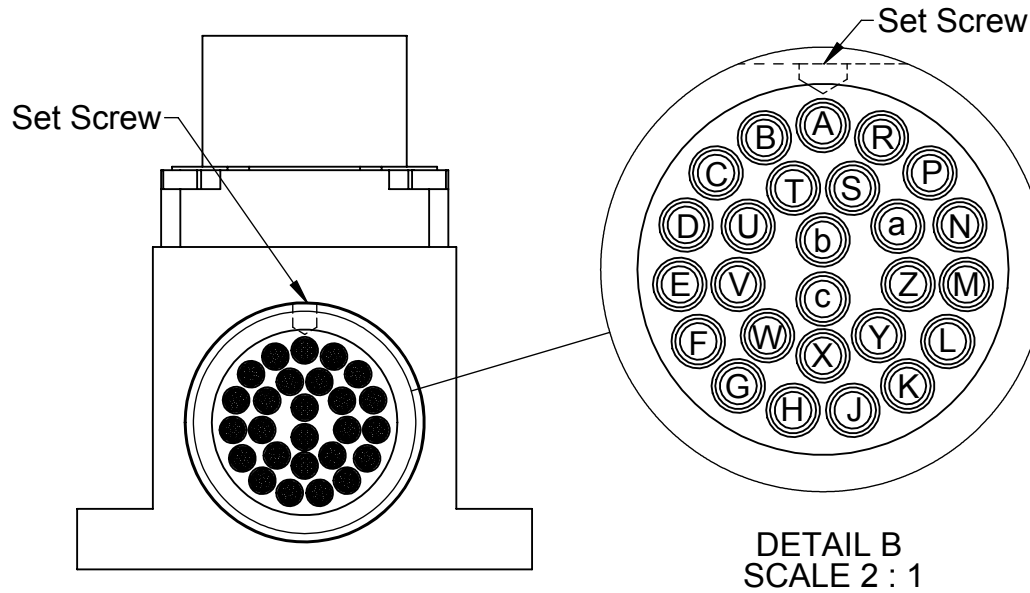
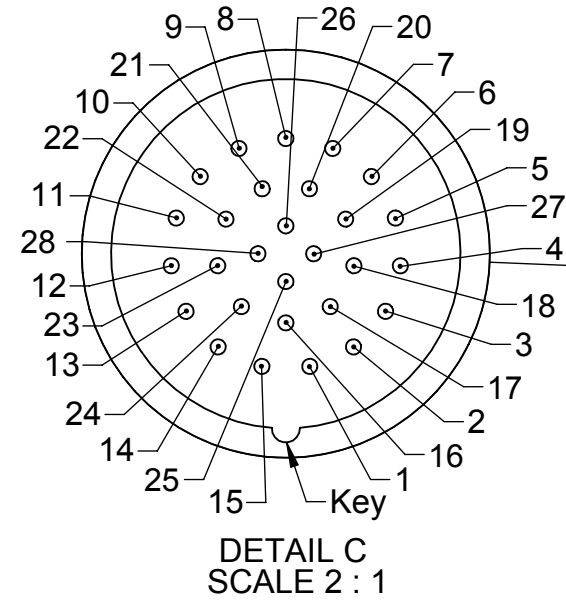
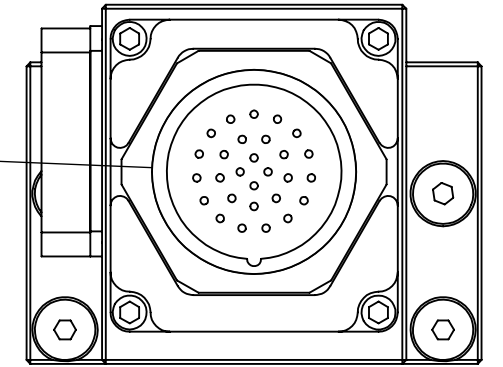


Table 1: Tool ID

Switch Position	28-Pin Connector				
	Pin 14	Pin 15	Pin 16	Pin 17	Pin 18
0	0	0	0	0	COMMON
1	0	0	0	1	
2	0	0	1	0	
3	0	0	1	1	
4	0	1	0	0	
5	0	1	0	1	
6	0	1	1	0	
7	0	1	1	1	
8	1	0	0	0	
9	1	0	0	1	

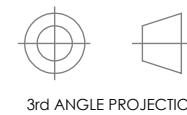
Binary o/p of Selector Switch
(10) Unique Settings

9120-RF21PD-T



NOTES: UNLESS OTHERWISE SPECIFIED.

DO NOT SCALE DRAWING. ALL DIMENSIONS ARE IN MILLIMETERS.



1031 Goodworth Drive, Apex, NC 27539, USA
Tel: +1.919.772.0115 Email: info@ati-ia.com
Fax: +1.919.772.8259 www.ati-ia.com
ISO 9001 Registered Company

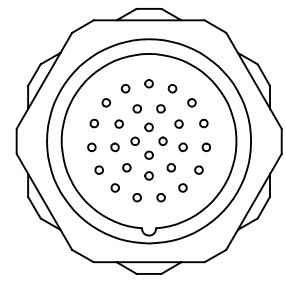
PROPERTY OF ATI INDUSTRIAL AUTOMATION, INC. NOT TO BE REPRODUCED IN ANY MANNER EXCEPT ON ORDER OR WITH PRIOR WRITTEN AUTHORIZATION OF ATI.

DRAWN BY: P.Luczka, 7/28/14		TITLE	
CHECKED BY: W.Berrocal, 7/30/14 M.Hallmark, 7/30/14		RF26RPD-M with RF21PD-T Potted Module Drawing	
PROJECT #	120111-1 SHEET 2 OF 3	SCALE	1:2
SIZE	B	DRAWING NUMBER	9630-20-RF26RPDM RF21PDT
			REVISION
			01

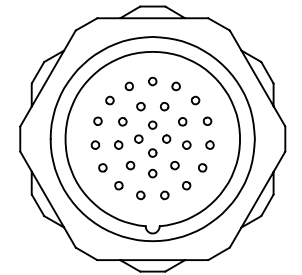
Rev.	Description	Initiator	Date
-	See Sheet1	-	-

ATI
26-Pin Block

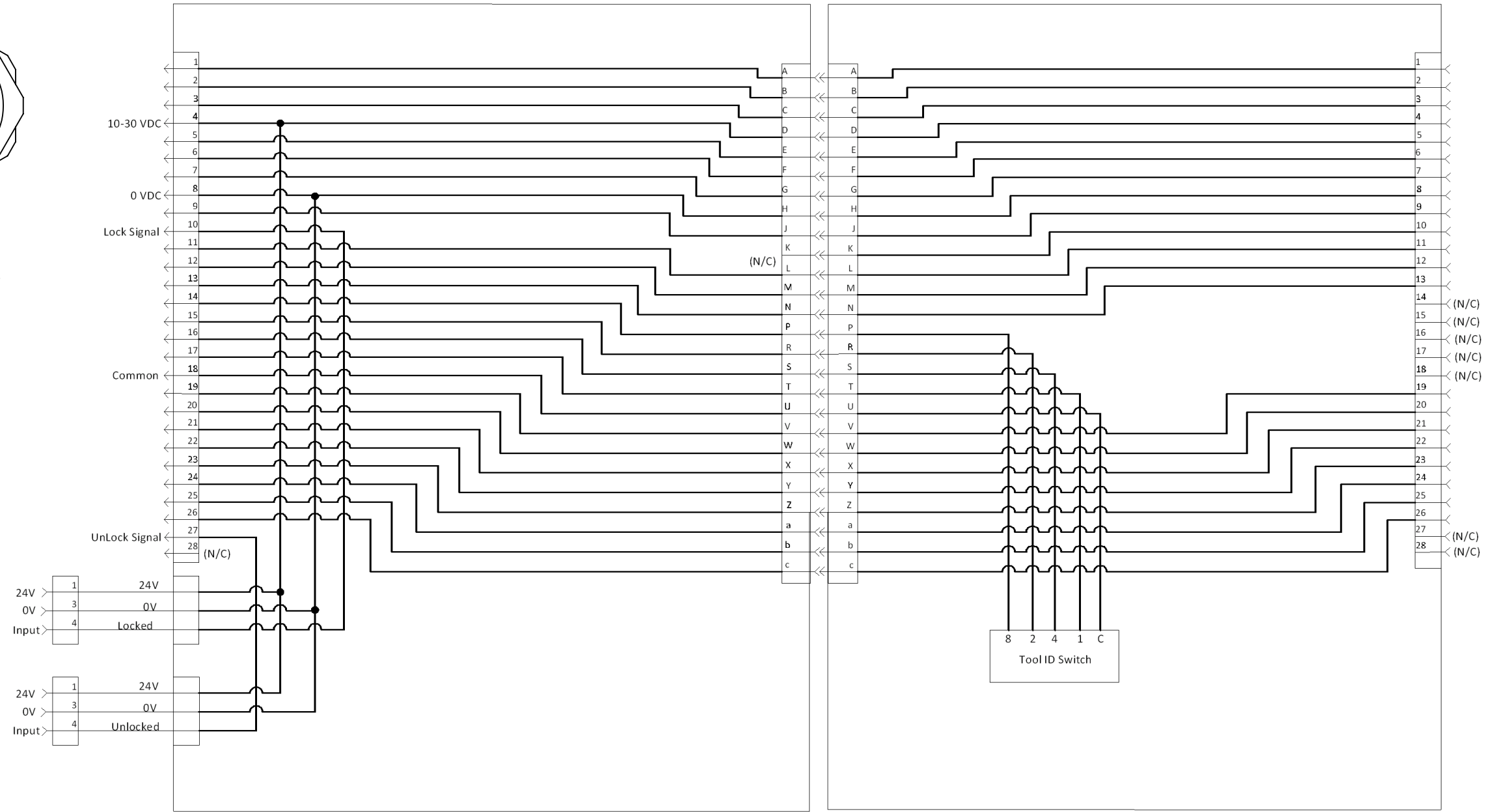
9120-RF26RPD-M **9120-R21PD-T**



Turck 28-Pin
Male Connector
DSF 28-27-0.2

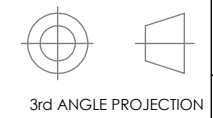


Turck 28-Pin
Female Connector
DKF 28-27-0.2



NOTES: UNLESS OTHERWISE SPECIFIED.

DO NOT SCALE DRAWING.
ALL DIMENSIONS ARE IN
MILLIMETERS.



1031 Goodworth Drive, Apex, NC 27539, USA
Tel: +1.919.772.0115 Email: info@ati-ia.com
Fax: +1.919.772.8259 www.ati-ia.com
ISO 9001 Registered Company

PROPERTY OF ATI INDUSTRIAL AUTOMATION, INC. NOT TO BE REPRODUCED IN ANY MANNER EXCEPT ON ORDER OR WITH PRIOR WRITTEN AUTHORIZATION OF ATI.

DRAWN BY: P.Luczka, 7/28/14		TITLE	
CHECKED BY: W.Berrocal, 7/30/14 M.Hallmark, 7/30/14		RF26RPD-M with RF21PD-T Potted Module Drawing	
PROJECT #	120111-1	SCALE	1:2
SHEET	3	SIZE	B
OF	3	DRAWING NUMBER	9630-20-RF26RPDM RF21PDT
			REVISION
			01