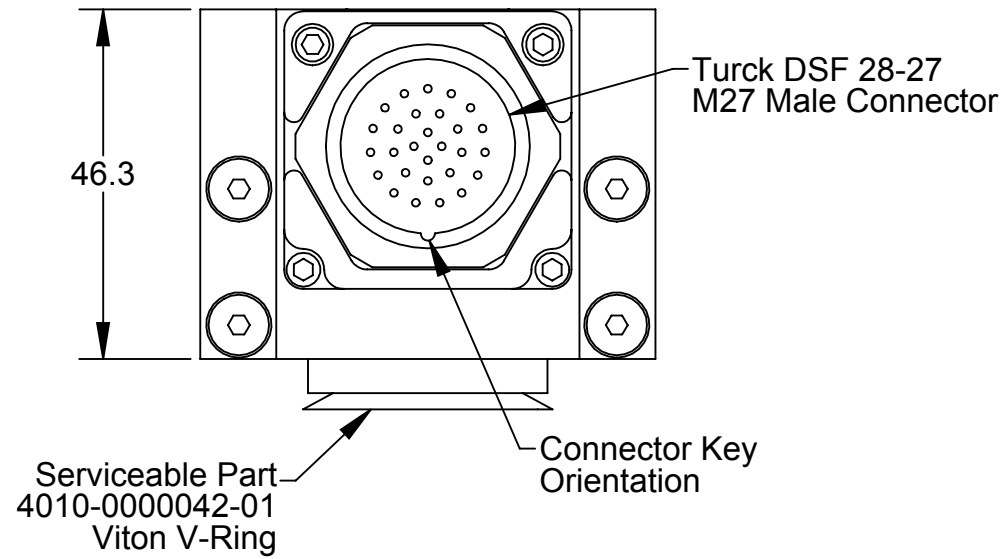
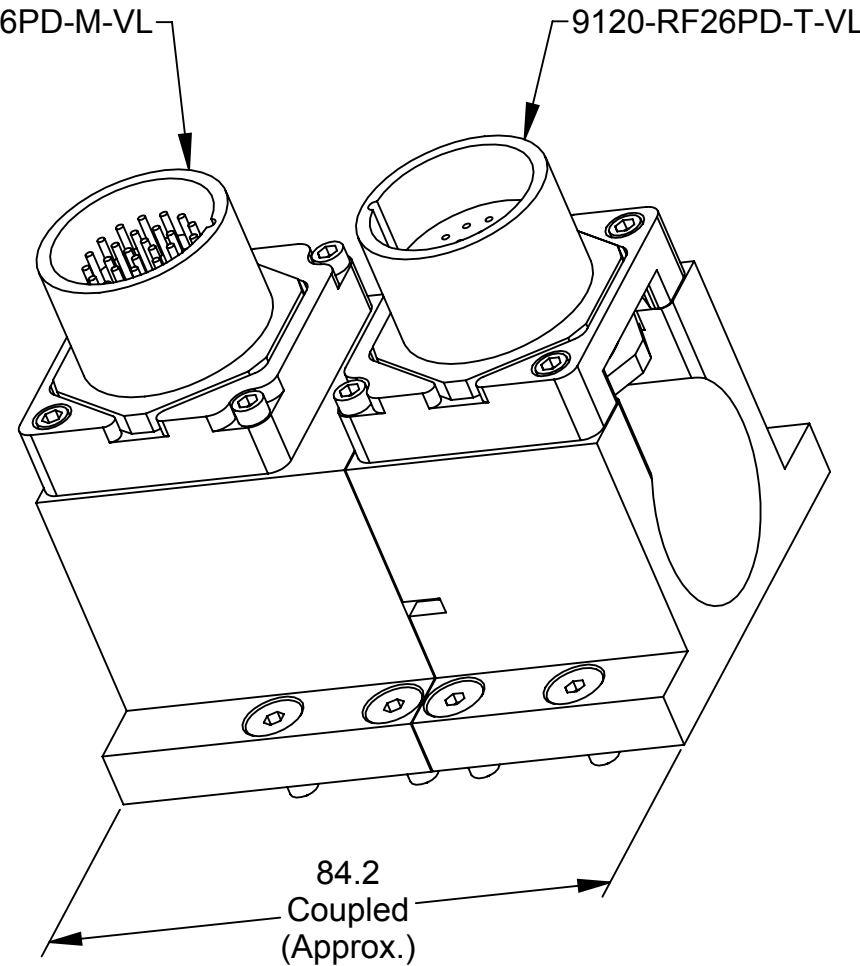


Rev.	Description	Initiator	Date
01	Initial Release	PDL	7/29/2014

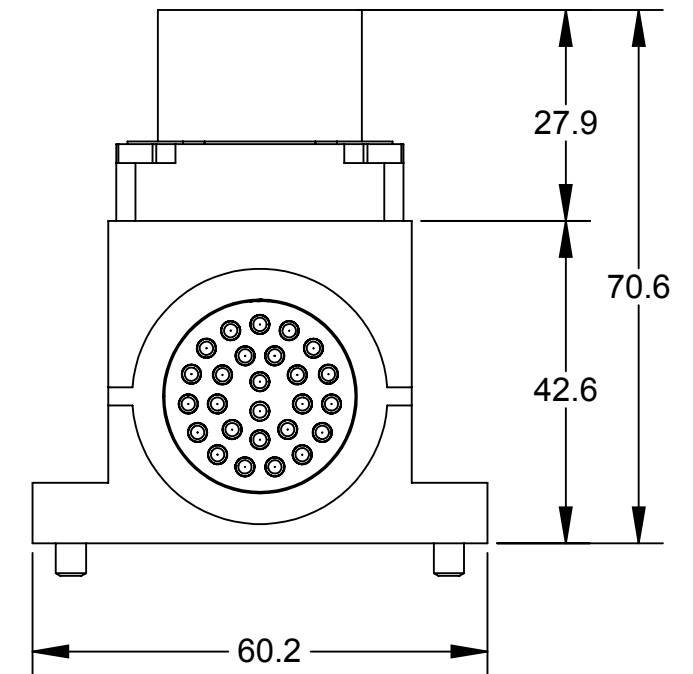
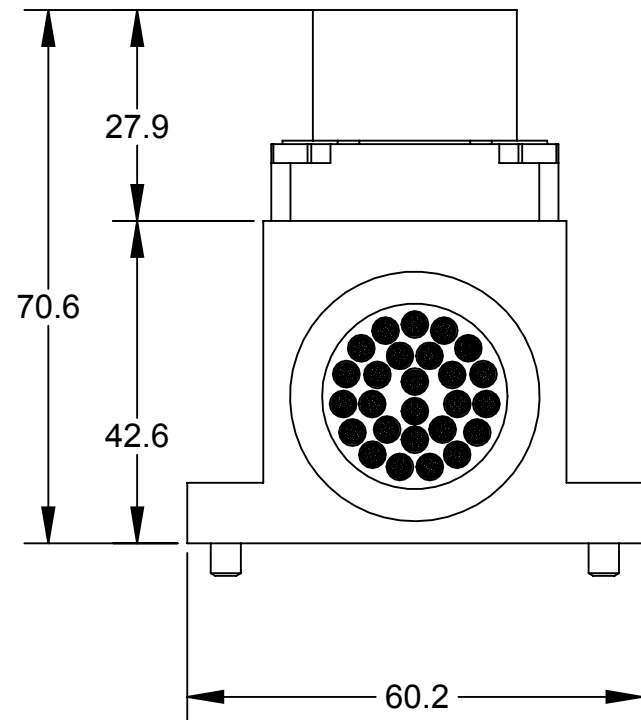
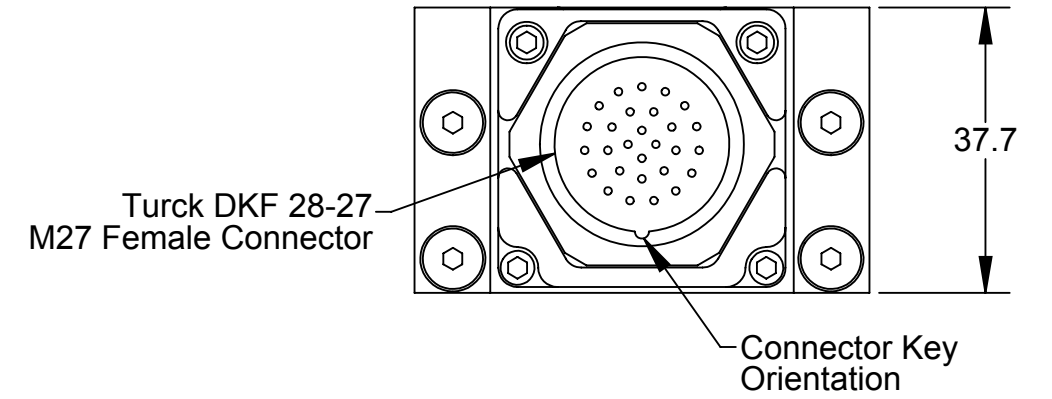
9120-RF26PD-M-VL



9120-RF26PD-M-VL



9120-RF26PD-T-VL



- Notes:
1. Module Electrical rating: 3 AMPS / 150 VAC
 2. Customer approval of electrical schematic is required.
 3. Customer is to approve connector selection and orientation.
 4. See Sheet 3 for module wiring schematic.
 5. See Sheet 2 for Customer Interface information.

NOTES: UNLESS OTHERWISE SPECIFIED.

DO NOT SCALE DRAWING. ALL DIMENSIONS ARE IN MILLIMETERS.



3rd ANGLE PROJECTION



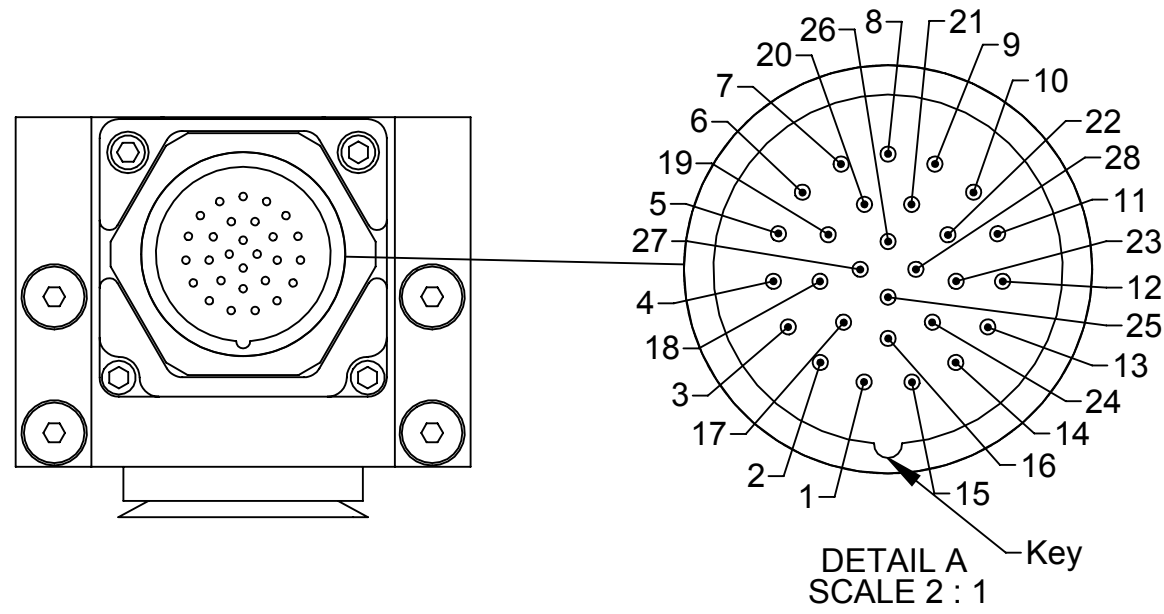
1031 Goodworth Drive, Apex, NC 27539, USA
 Tel: +1.919.772.0115 Email: info@ati-ia.com
 Fax: +1.919.772.8259 www.ati-ia.com
 ISO 9001 Registered Company

PROPERTY OF ATI INDUSTRIAL AUTOMATION, INC. NOT TO BE REPRODUCED IN ANY MANNER EXCEPT ON ORDER OR WITH PRIOR WRITTEN AUTHORIZATION OF ATI.

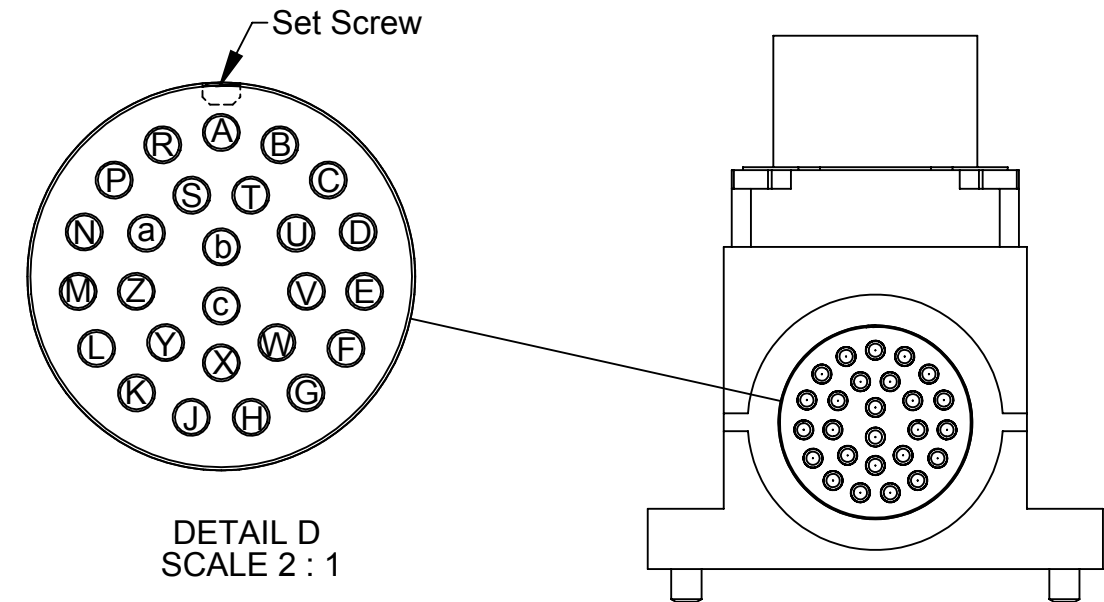
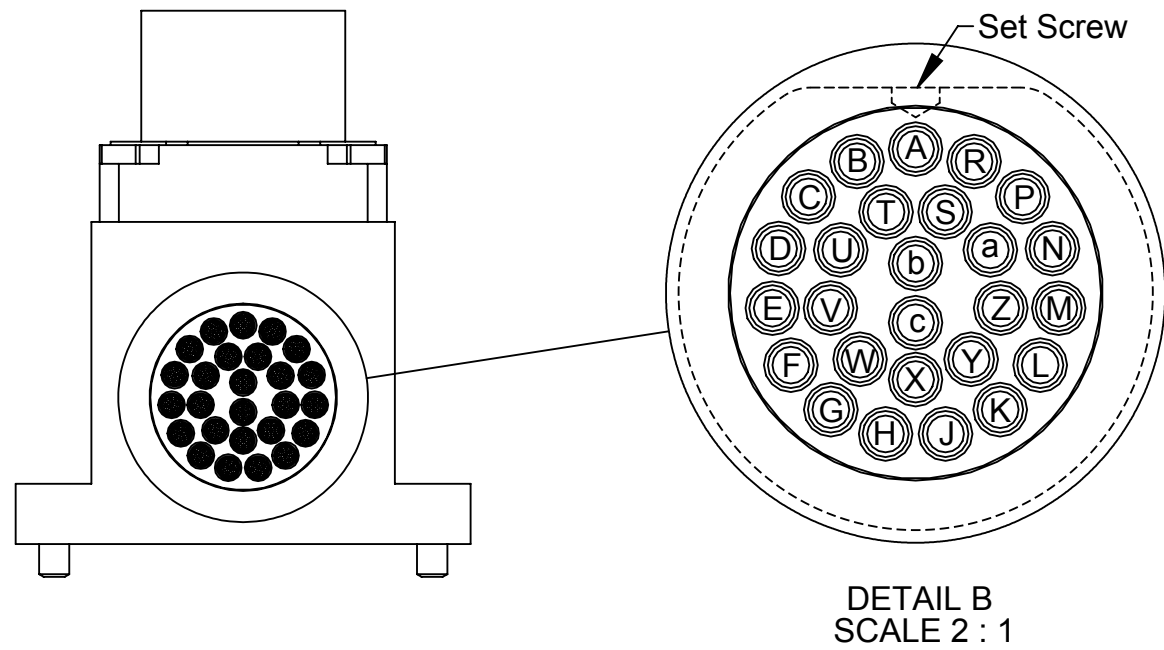
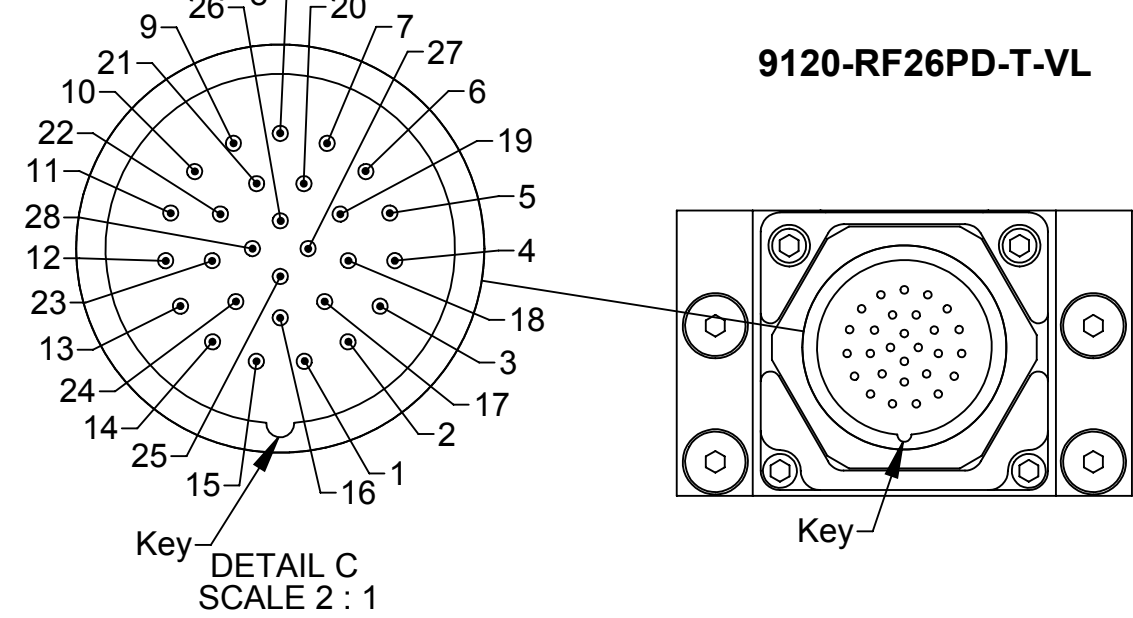
DRAWN BY: P.Luczka, 7/28/14		TITLE	
CHECKED BY: A.Takla, 8/1/14 M.Hallmark, 7/5/14		RF26 Electrical Module, Master, Viton Seals, Potted	
PROJECT # 140728-2 SHEET 1 OF 3	SCALE 1:1	SIZE B	DRAWING NUMBER 9630-20-RF26PDMVL RF26PDTVL
			REVISION 01

Rev.	Description	Initiator	Date
-	See Sheet1	-	-

9120-RF26PD-M-VL

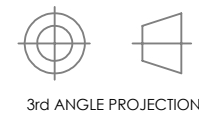


9120-RF26PD-T-VL



NOTES: UNLESS OTHERWISE SPECIFIED.

DO NOT SCALE DRAWING. ALL DIMENSIONS ARE IN MILLIMETERS.



1031 Goodworth Drive, Apex, NC 27539, USA
 Tel: +1.919.772.0115 Email: info@ati-ia.com
 Fax: +1.919.772.8259 www.ati-ia.com
 ISO 9001 Registered Company

PROPERTY OF ATI INDUSTRIAL AUTOMATION, INC. NOT TO BE REPRODUCED IN ANY MANNER EXCEPT ON ORDER OR WITH PRIOR WRITTEN AUTHORIZATION OF ATI.

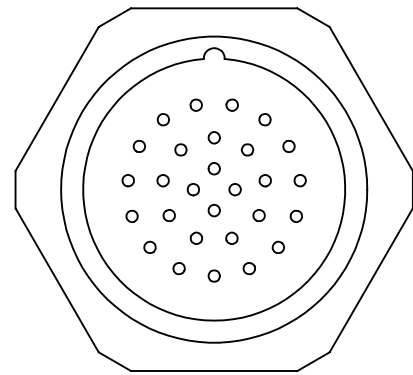
DRAWN BY: P.Luczka, 7/28/14		TITLE	
CHECKED BY: A.Takla, 8/1/14 M.Hallmark, 7/5/14		RF26 Electrical Module, Master, Viton Seals, Potted	
PROJECT # 140728-2 SHEET 2 OF 3	SCALE 1:1	SIZE B	DRAWING NUMBER 9630-20-RF26PDMVL RF26PDTVL
			REVISION 01

Rev.	Description	Initiator	Date
-	See Sheet1	-	-

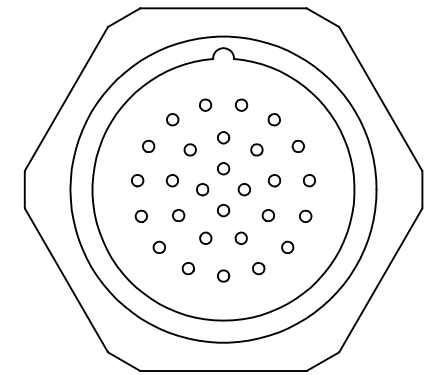
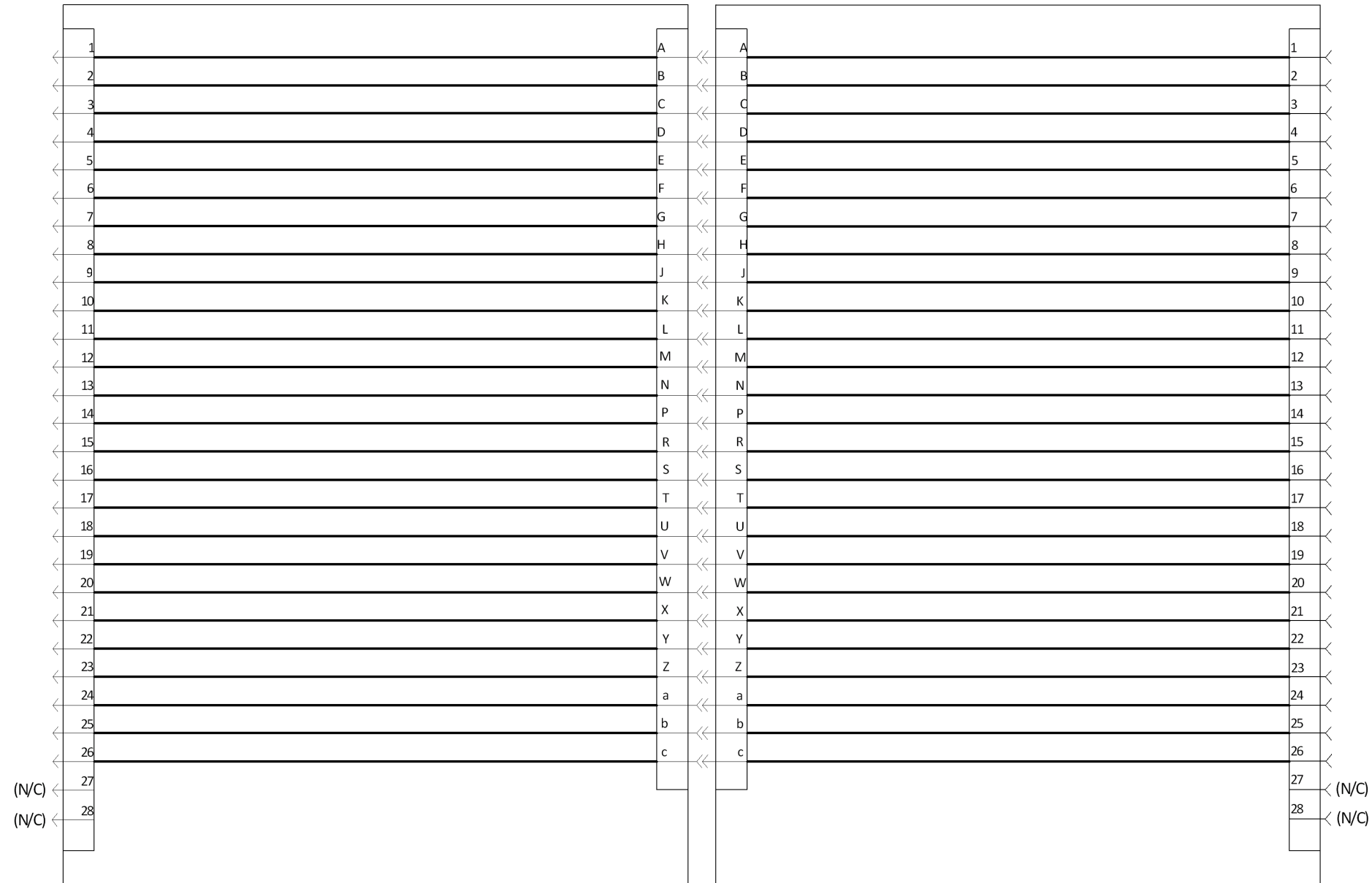
9120-RF26PD-M-VL

ATI
26-Pin Block

9120-RF26PD-T-VL



Turck DSF 28-27
M27 Male Connector



Turck DKF 28-27
M27 Female Connector

NOTES: UNLESS OTHERWISE SPECIFIED.

DO NOT SCALE DRAWING.
ALL DIMENSIONS ARE IN MILLIMETERS.



3rd ANGLE PROJECTION



1031 Goodworth Drive, Apex, NC 27539, USA
Tel: +1.919.772.0115 Email: info@ati-ia.com
Fax: +1.919.772.8259 www.ati-ia.com
ISO 9001 Registered Company

PROPERTY OF ATI INDUSTRIAL AUTOMATION, INC. NOT TO BE REPRODUCED IN ANY MANNER EXCEPT ON ORDER OR WITH PRIOR WRITTEN AUTHORIZATION OF ATI.

DRAWN BY: P.Luczka, 7/28/14		TITLE	
CHECKED BY: A.Takla, 8/1/14 M.Hallmark, 7/5/14		RF26 Electrical Module, Master, Viton Seals, Potted	
PROJECT #	140728-2 SHEET 3 OF 3	SCALE	1:1
SIZE	B	DRAWING NUMBER	9630-20-RF26PDMVL RF26PDTVL
			REVISION
			01