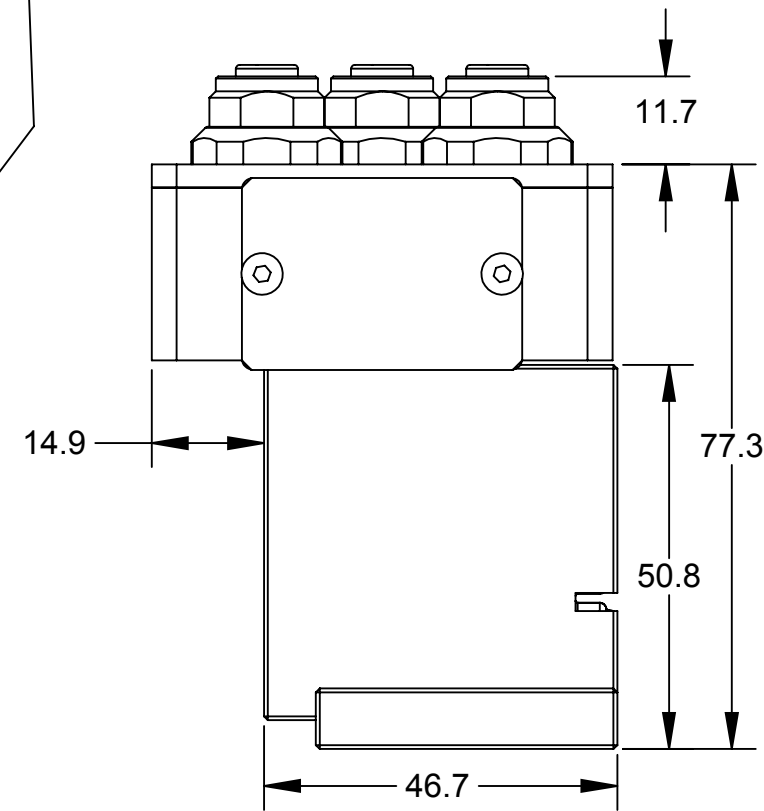
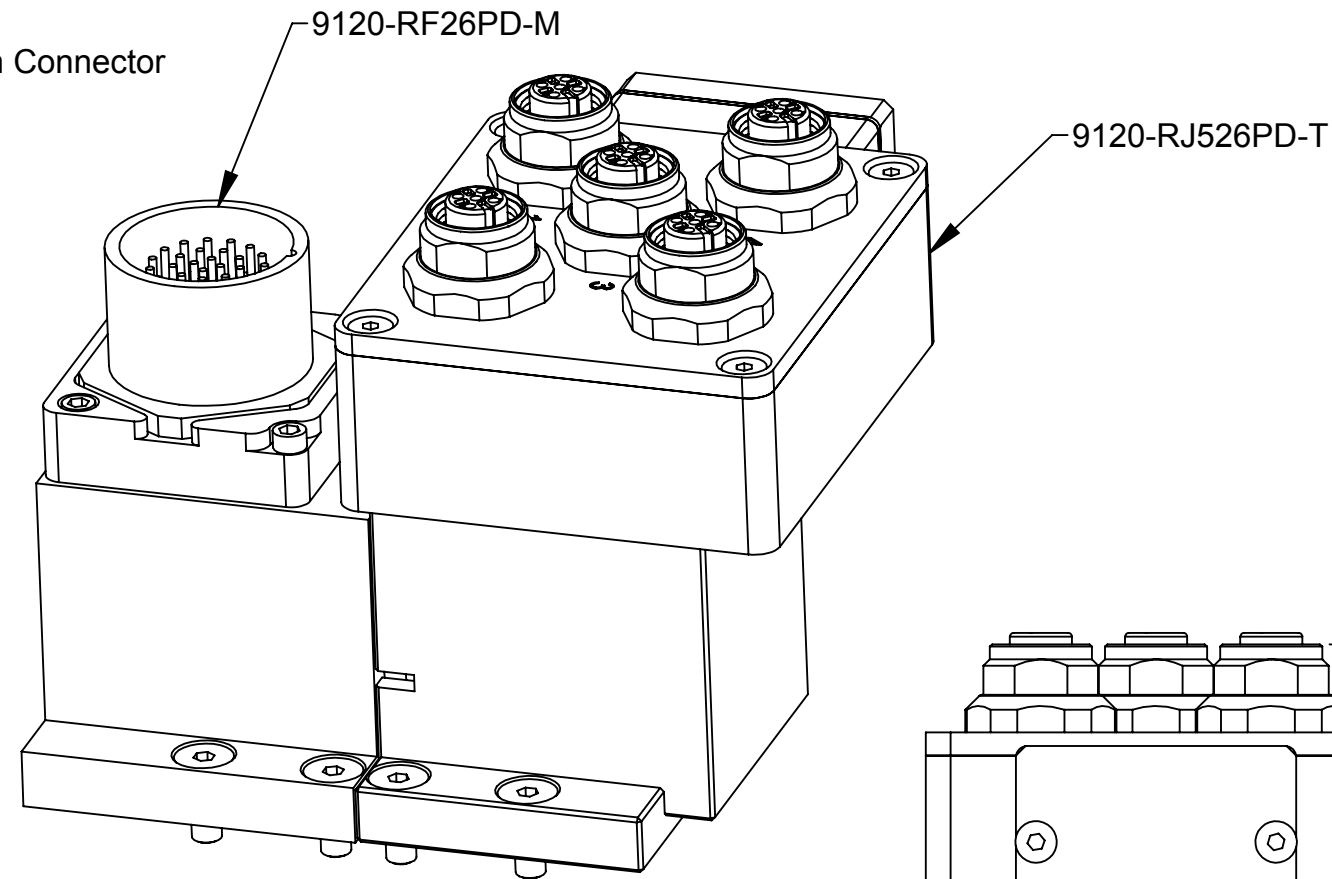
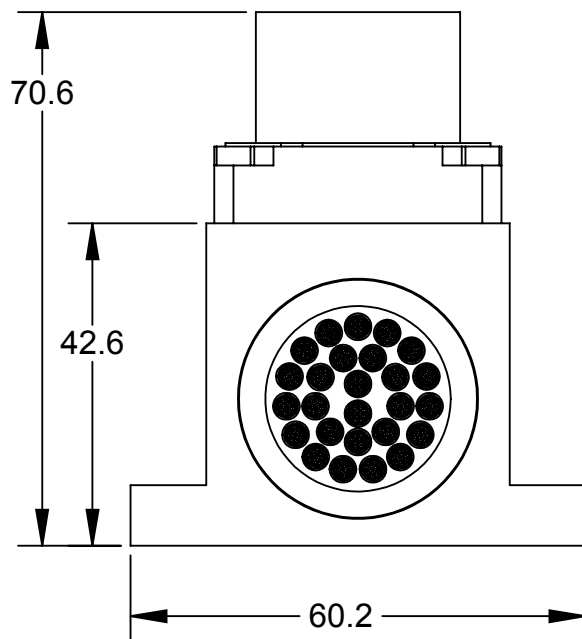
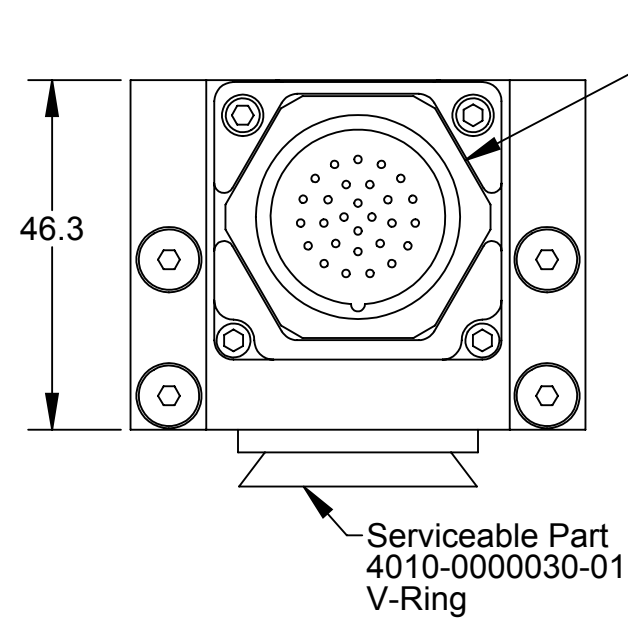


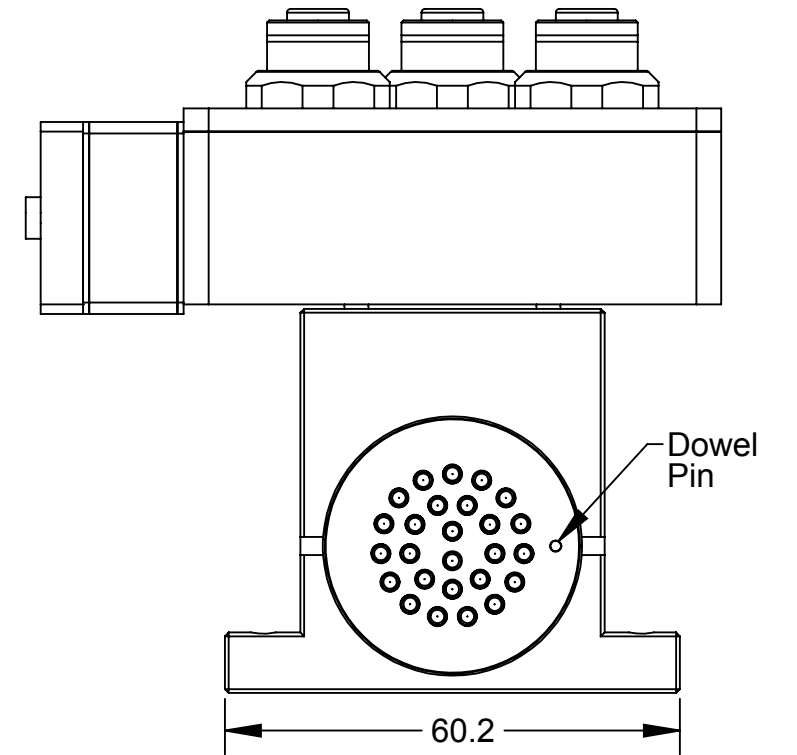
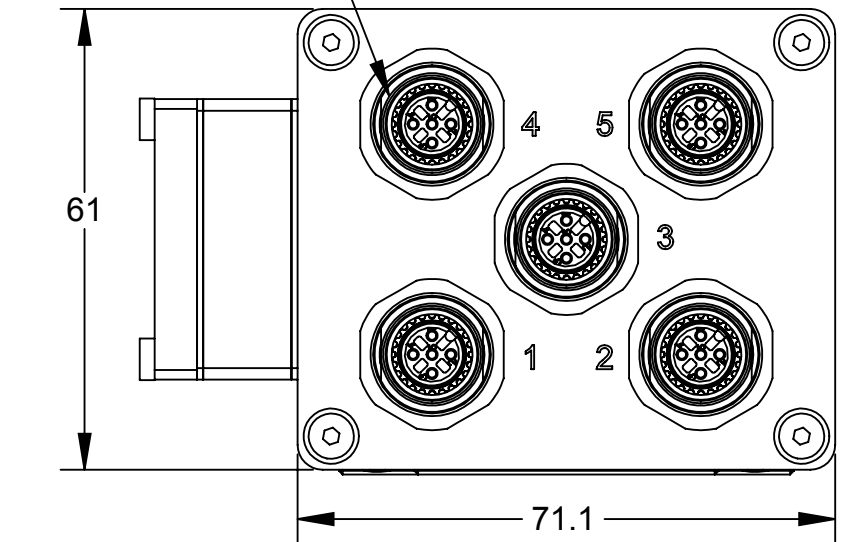
**"DANGER! - For electrical modules using > 60VDC or 42 VAC, NO contact should be attempted before removing power. This especially includes separation or insertion of the mating connectors or any contact with the tool changer or its components."**

Rev.	Description	Initiator	Date
03	Changed numbers to letters on Schematic for pin block	PDL	4/10/2014
04	Released on ECO-12347	PDL	8/29/2014

### 9120 RF26PD-M



### 9120-RJ526PD-T



**Notes:**

1. Module Electrical rating: 2 AMPS / 60 VAC/70 VDC
2. Customer approval of electrical schematic is required.
3. Customer is to approve connector selection and orientation.
4. See sheet 3 for module wiring schematic.
5. See Sheet 2 for Customer Interface information.

NOTES: UNLESS OTHERWISE SPECIFIED.

DO NOT SCALE DRAWING. ALL DIMENSIONS ARE IN MILLIMETERS.



3rd ANGLE PROJECTION

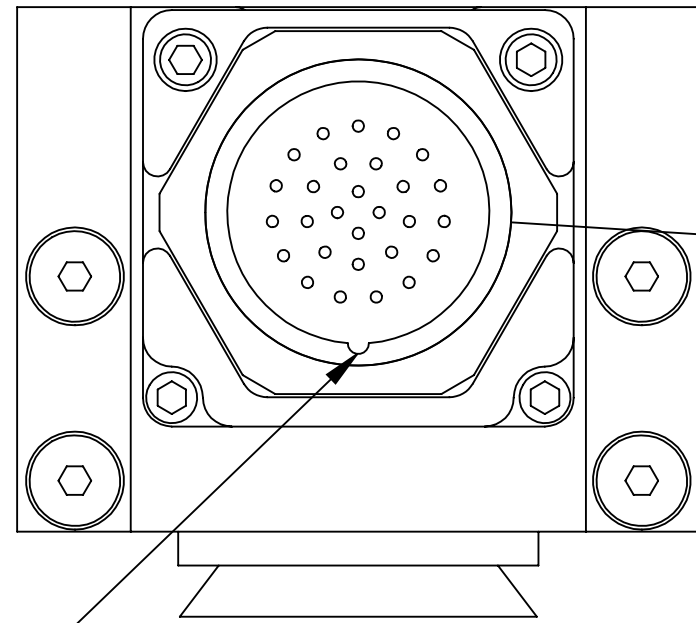


1031 Goodworth Drive, Apex, NC 27539, USA  
Tel: +1.919.772.0115 Email: info@ati-ia.com  
Fax: +1.919.772.8259 www.ati-ia.com  
ISO 9001 Registered Company

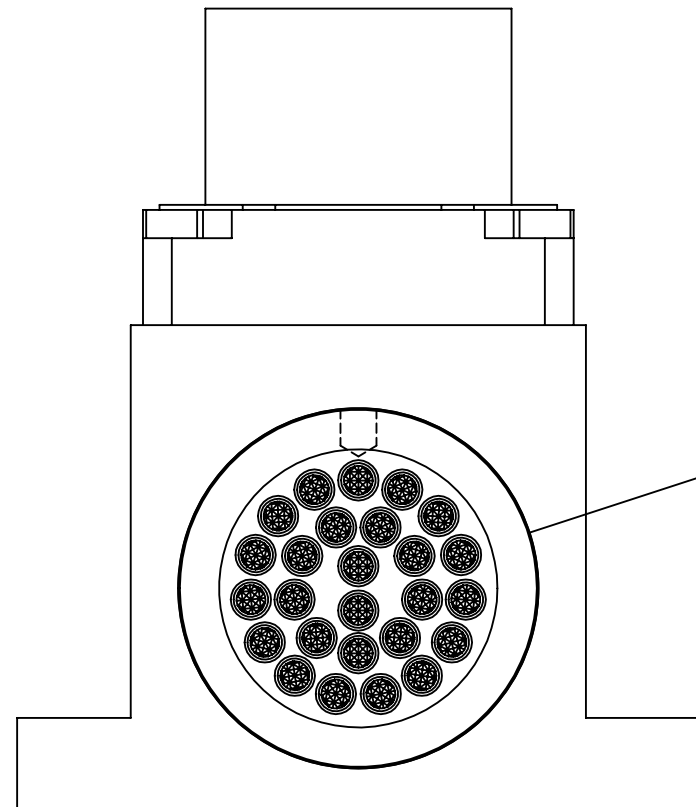
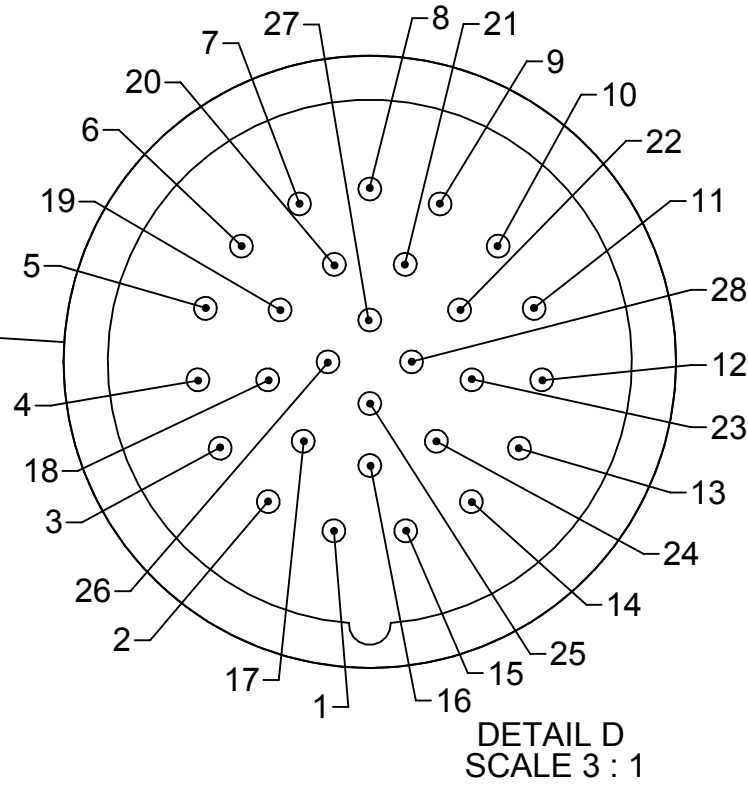
PROPERTY OF ATI INDUSTRIAL AUTOMATION, INC. NOT TO BE REPRODUCED IN ANY MANNER EXCEPT ON ORDER OR WITH PRIOR WRITTEN AUTHORIZATION OF ATI.

DRAWN BY: P.Luczka, 2/10/14		TITLE	
CHECKED BY: W.Berrocal, 2/10/14 M.Hallmark, 2/11/14		RF26PDM / RJ526PDT Electrical Module Drawing	
PROJECT #	140116-3	SHEET	1 OF 5
SCALE	1:2	SIZE	B
DRAWING NUMBER	9630-20-RF26PDM RJ526PDT		REVISION
			04

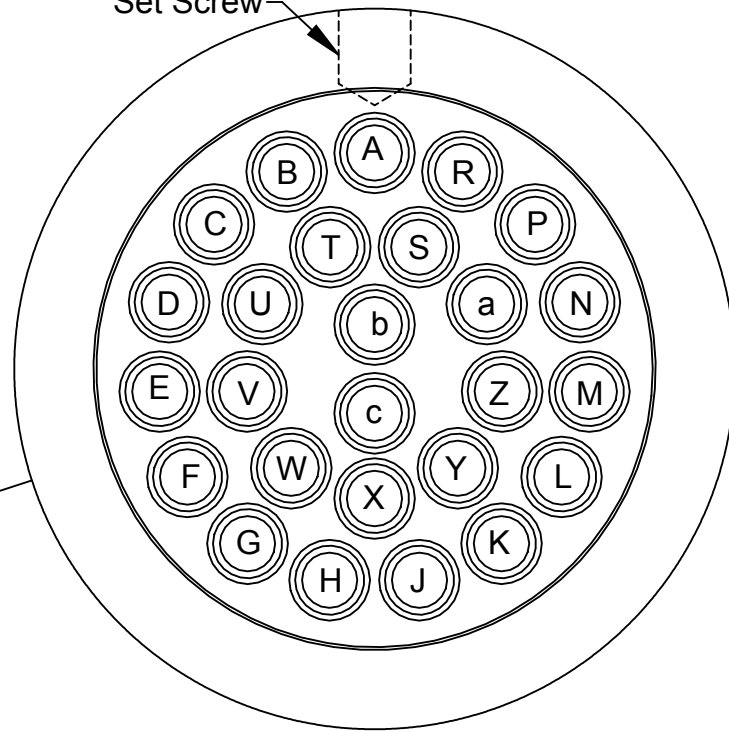
Rev.	Description	Initiator	Date
-	See Sheet1	-	-



Key Orientation



Set Screw



**9120-RF26PD-M**

NOTES: UNLESS OTHERWISE SPECIFIED.

DO NOT SCALE DRAWING. ALL DIMENSIONS ARE IN MILLIMETERS.



3rd ANGLE PROJECTION



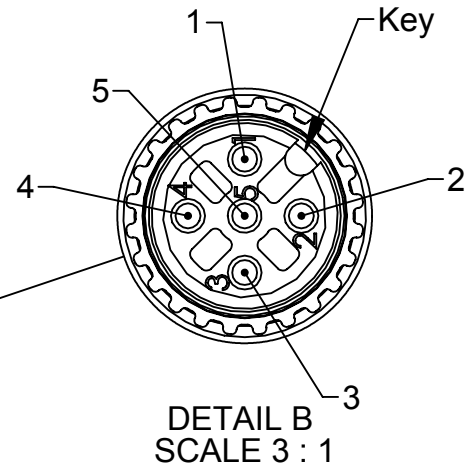
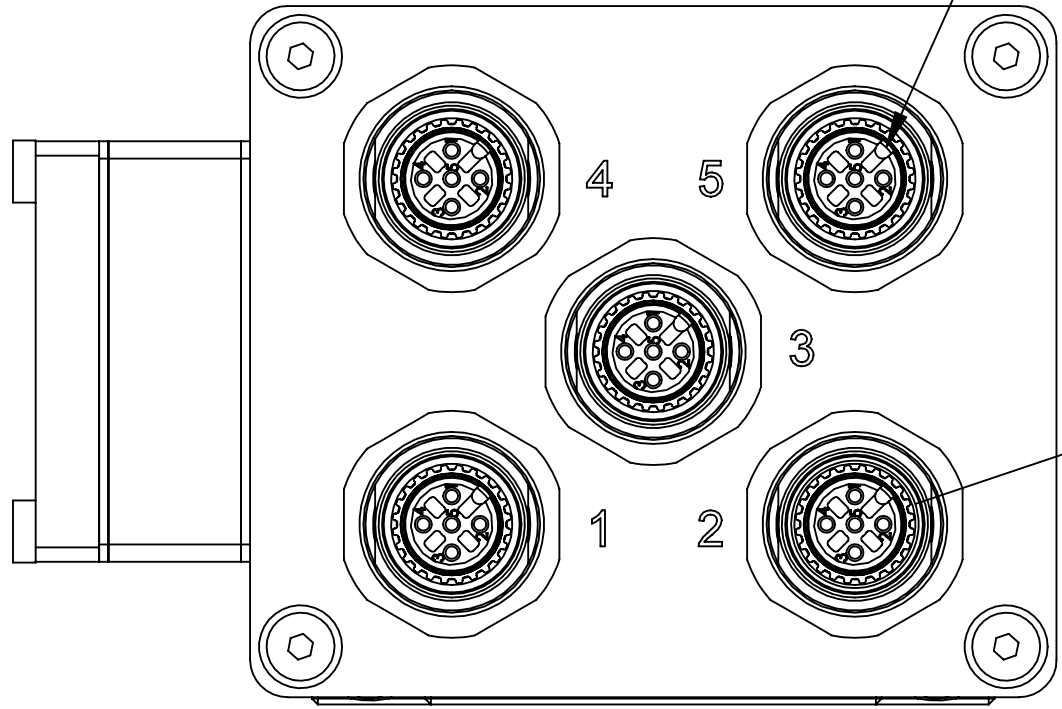
1031 Goodworth Drive, Apex, NC 27539, USA  
 Tel: +1.919.772.0115 Email: info@ati-ia.com  
 Fax: +1.919.772.8259 www.ati-ia.com  
 ISO 9001 Registered Company

PROPERTY OF ATI INDUSTRIAL AUTOMATION, INC. NOT TO BE REPRODUCED IN ANY MANNER EXCEPT ON ORDER OR WITH PRIOR WRITTEN AUTHORIZATION OF ATI.

DRAWN BY: P.Luczka, 2/10/14		TITLE	
CHECKED BY: W.Berrocal, 2/10/14 M.Hallmark, 2/11/14		RF26PDM / RJ526PDT Electrical Module Drawing	
PROJECT #	140116-3 SHEET 2 OF 5	SCALE	1:2
SIZE	B	DRAWING NUMBER	9630-20-RF26PDM RJ526PDT
REVISION	04		

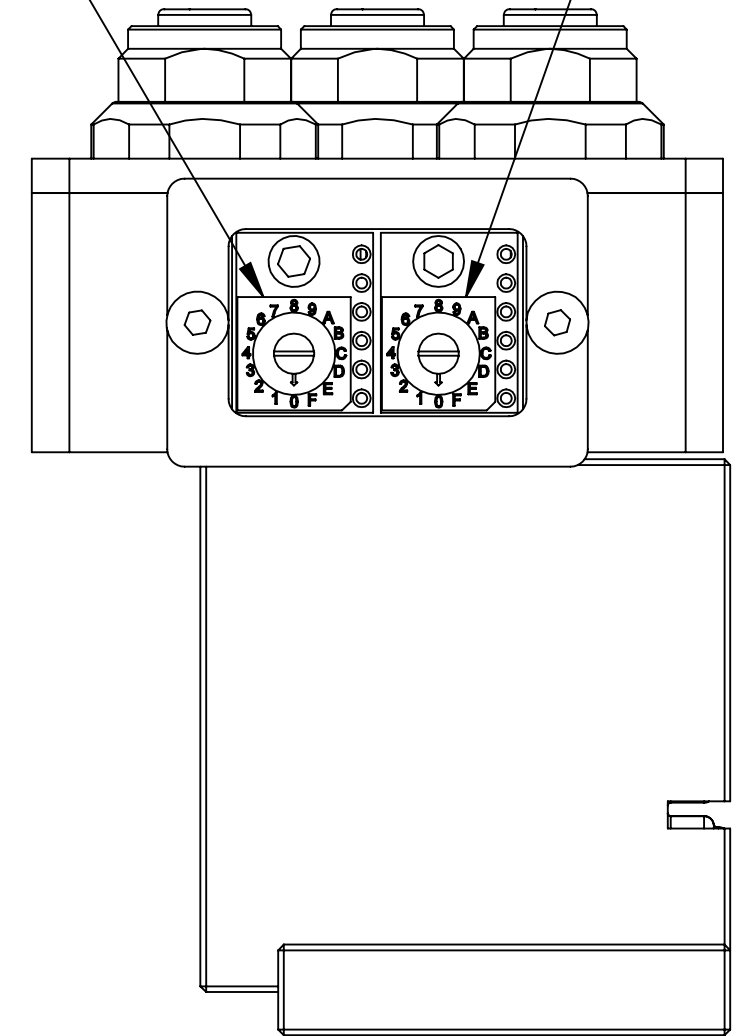
Rev.	Description	Initiator	Date
-	See Sheet1	-	-

5X Key Orientation

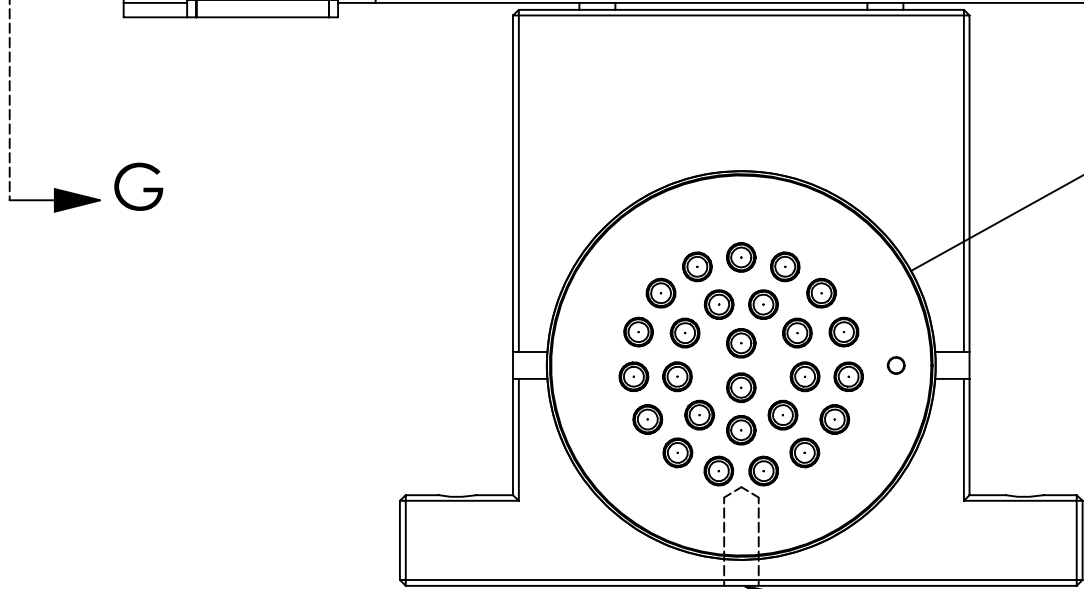
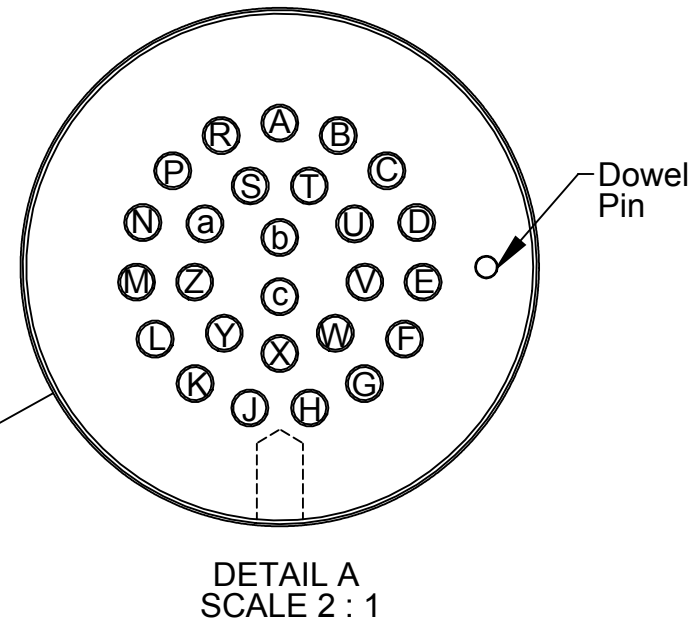
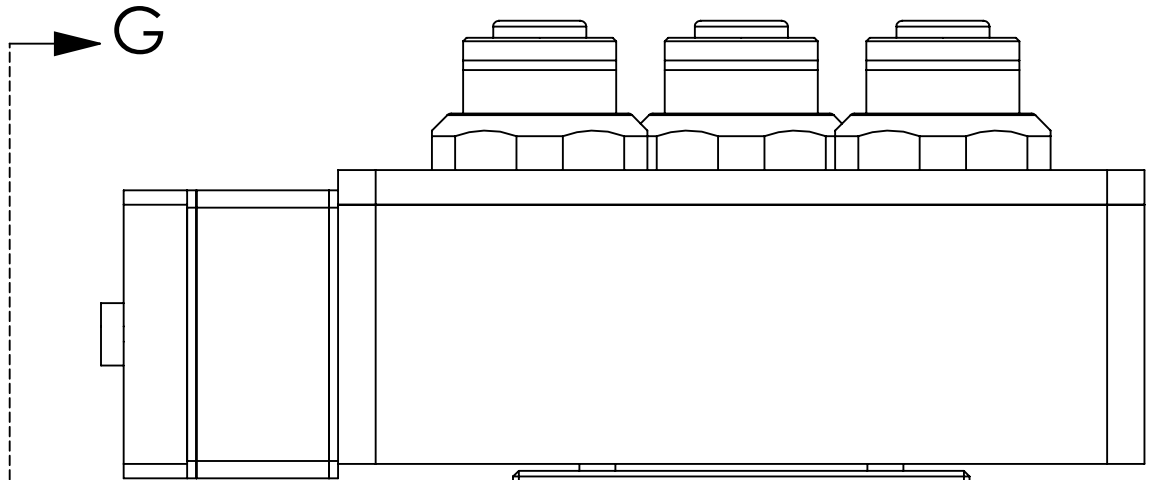


Tool ID  
Switch 1  
0-F positions

Tool ID  
Switch 2  
0-F positions



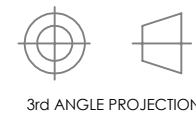
VIEW G-G  
SCALE 1.5 : 1



9120-RJ526PD-T

NOTES: UNLESS OTHERWISE SPECIFIED.

DO NOT SCALE DRAWING.  
ALL DIMENSIONS ARE IN MILLIMETERS.



1031 Goodworth Drive, Apex, NC 27539, USA  
Tel: +1.919.772.0115 Email: info@ati-ia.com  
Fax: +1.919.772.8259 www.ati-ia.com  
ISO 9001 Registered Company

PROPERTY OF ATI INDUSTRIAL AUTOMATION, INC. NOT TO BE REPRODUCED IN ANY MANNER EXCEPT ON ORDER OR WITH PRIOR WRITTEN AUTHORIZATION OF ATI.

DRAWN BY: P.Luczka, 2/10/14

CHECKED BY: W.Berrocal, 2/10/14

M.Hallmark, 2/11/14

PROJECT # 140116-3 SHEET 3 OF 5

TITLE

RF26PDM / RJ526PDT Electrical Module Drawing

SCALE  
1:2

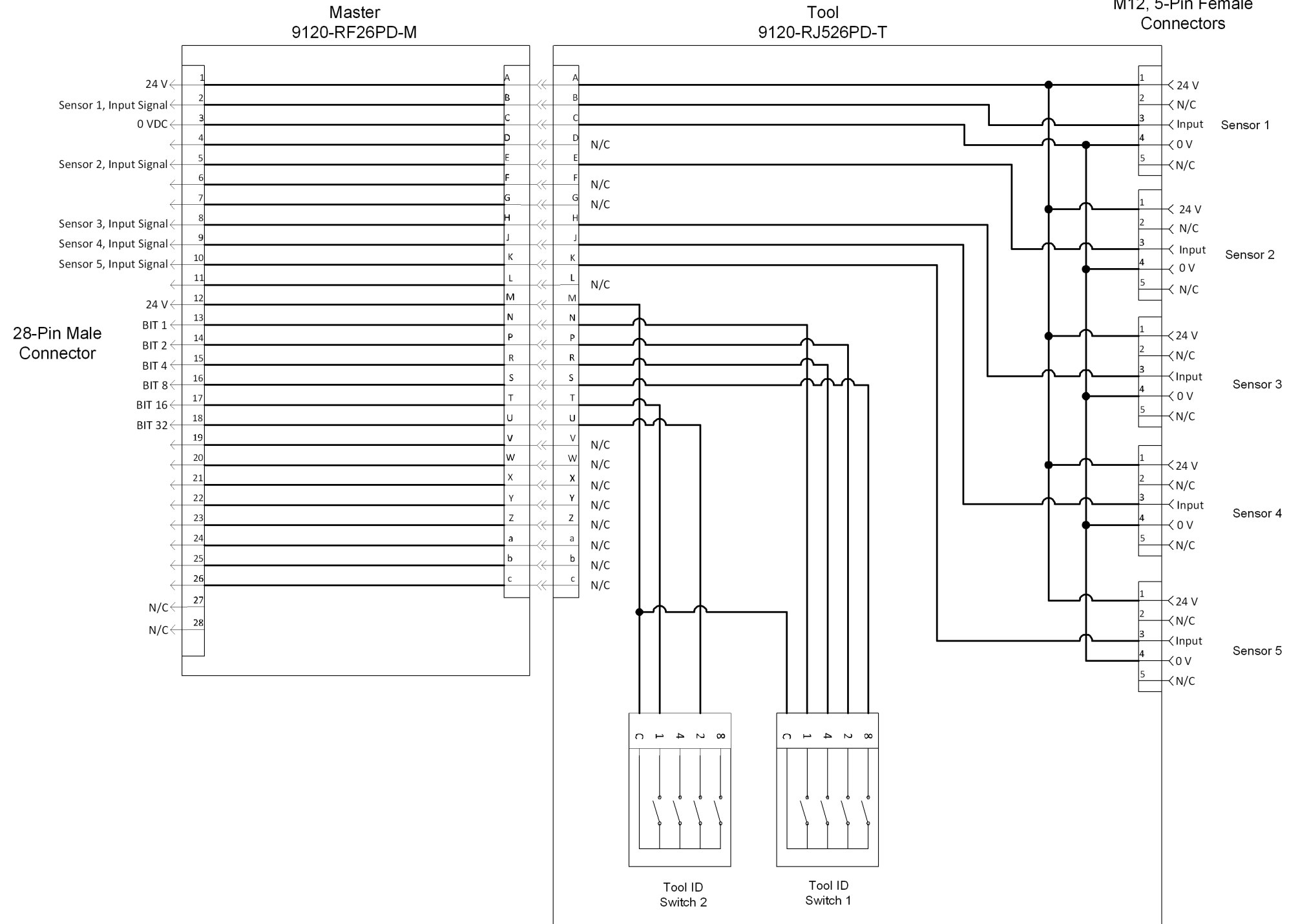
SIZE  
B

DRAWING NUMBER  
9630-20-RF26PDM RJ526PDT

REVISION  
04

Rev.	Description	Initiator	Date
-	See Sheet1	-	-

### Electrical Schematic



- Notes:**
- Pin number 26 on the ATI Pin Block is First-To-Mate and Last-To-Break contact and is recommended as ground.
  - See Table 1 for decimal Tool ID outputs to Binary values.
  - Total sensor current not to exceed 2 AMPS.

NOTES: UNLESS OTHERWISE SPECIFIED.

DO NOT SCALE DRAWING. ALL DIMENSIONS ARE IN MILLIMETERS.



1031 Goodworth Drive, Apex, NC 27539, USA  
 Tel: +1.919.772.0115 Email: info@ati-ia.com  
 Fax: +1.919.772.8259 www.ati-ia.com  
 ISO 9001 Registered Company

PROPERTY OF ATI INDUSTRIAL AUTOMATION, INC. NOT TO BE REPRODUCED IN ANY MANNER EXCEPT ON ORDER OR WITH PRIOR WRITTEN AUTHORIZATION OF ATI.

DRAWN BY: P.Luczka, 2/10/14		TITLE	
CHECKED BY: W.Berrocal, 2/10/14 M.Hallmark, 2/11/14		RF26PDM / RJ526PDT Electrical Module Drawing	
PROJECT #	140116-3	SHEET	OF 5
SCALE	1:2	SIZE	B
DRAWING NUMBER		REVISION	
9630-20-RF26PDM RJ526PDT		04	

Rev.	Description	Initiator	Date
-	See Sheet1	-	-

Truth Table								
Switch1 Position (16)	Switch2 Position (16)	Binary Value						Decimal Equivalent
		32	16	8	4	2	1	
0	0	0	0	0	0	0	0	0
1	0	0	0	0	0	0	1	1
2	0	0	0	0	0	1	0	2
3	0	0	0	0	0	1	1	3
4	0	0	0	0	1	0	0	4
5	0	0	0	0	1	0	1	5
6	0	0	0	0	1	1	0	6
7	0	0	0	0	1	1	1	7
8	0	0	0	1	0	0	0	8
9	0	0	0	1	0	0	1	9
A	0	0	0	1	0	1	0	10
B	0	0	0	1	0	1	1	11
C	0	0	0	1	1	0	0	12
D	0	0	0	1	1	0	1	13
E	0	0	0	1	1	1	0	14
F	0	0	0	1	1	1	1	15
0	1	0	1	0	0	0	0	16
1	1	0	1	0	0	0	1	17
2	1	0	1	0	0	1	0	18
3	1	0	1	0	0	1	1	19
4	1	0	1	0	1	0	0	20
5	1	0	1	0	1	0	1	21
6	1	0	1	0	1	1	0	22
7	1	0	1	0	1	1	1	23
8	1	0	1	1	0	0	0	24
9	1	0	1	1	0	0	1	25
A	1	0	1	1	0	1	0	26
B	1	0	1	1	0	1	1	27
C	1	0	1	1	1	0	0	28
D	1	0	1	1	1	0	1	29
E	1	0	1	1	1	1	0	30
F	1	0	1	1	1	1	1	31

Truth Table - Continued								
Switch1 Position (16)	Switch2 Position (16)	Binary Value						Decimal Equivalent
		32	16	8	4	2	1	
0	2	1	0	0	0	0	0	32
1	2	1	0	0	0	0	1	33
2	2	1	0	0	0	1	0	34
3	2	1	0	0	0	1	1	35
4	2	1	0	0	1	0	0	36
5	2	1	0	0	1	0	1	37
6	2	1	0	0	1	1	0	38
7	2	1	0	0	1	1	1	39
8	2	1	0	1	0	0	0	40
9	2	1	0	1	0	0	1	41
A	2	1	0	1	0	1	0	42
B	2	1	0	1	0	1	1	43
C	2	1	0	1	1	0	0	44
D	2	1	0	1	1	0	1	45
E	2	1	0	1	1	1	0	46
F	2	1	0	1	1	1	1	47
0	3	1	1	0	0	0	0	48
1	3	1	1	0	0	0	1	49
2	3	1	1	0	0	1	0	50
3	3	1	1	0	0	1	1	51
4	3	1	1	0	1	0	0	52
5	3	1	1	0	1	0	1	53
6	3	1	1	0	1	1	0	54
7	3	1	1	0	1	1	1	55
8	3	1	1	1	1	0	0	56
9	3	1	1	1	1	0	1	57
A	3	1	1	1	1	1	0	58
B	3	1	1	1	1	1	1	59
C	3	1	1	1	1	0	0	60
D	3	1	1	1	1	0	1	61
E	3	1	1	1	1	1	0	62
F	3	1	1	1	1	1	1	63

NOTES: UNLESS OTHERWISE SPECIFIED.

DO NOT SCALE DRAWING. ALL DIMENSIONS ARE IN MILLIMETERS.



3rd ANGLE PROJECTION



1031 Goodworth Drive, Apex, NC 27539, USA  
 Tel: +1.919.772.0115 Email: info@ati-ia.com  
 Fax: +1.919.772.8259 www.ati-ia.com  
 ISO 9001 Registered Company

PROPERTY OF ATI INDUSTRIAL AUTOMATION, INC. NOT TO BE REPRODUCED IN ANY MANNER EXCEPT ON ORDER OR WITH PRIOR WRITTEN AUTHORIZATION OF ATI.

DRAWN BY: P.Luczka, 2/10/14		TITLE	
CHECKED BY: W.Berrocal, 2/10/14 M.Hallmark, 2/11/14		RF26PDM / RJ526PDT Electrical Module Drawing	
PROJECT #	140116-3	SHEET	5 OF 5
SCALE	1:2	SIZE	B
DRAWING NUMBER		REVISION	
9630-20-RF26PDM RJ526PDT		04	