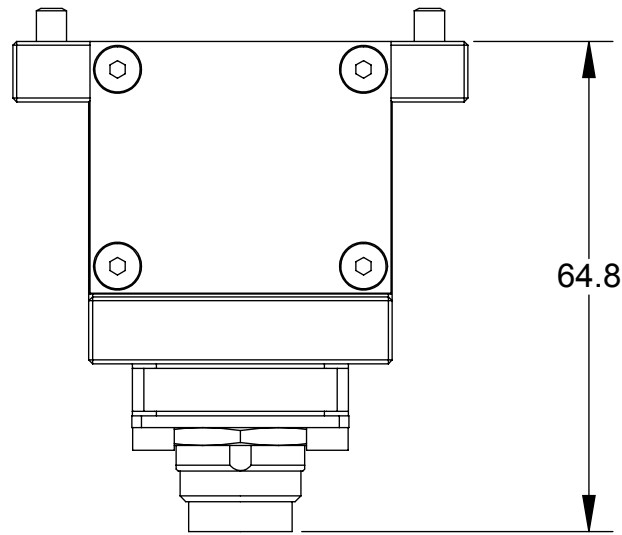
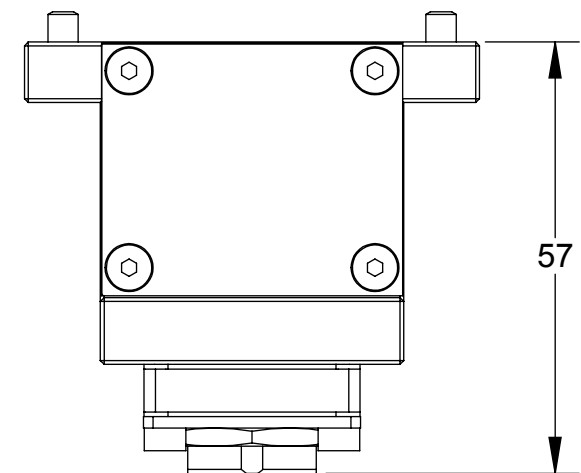
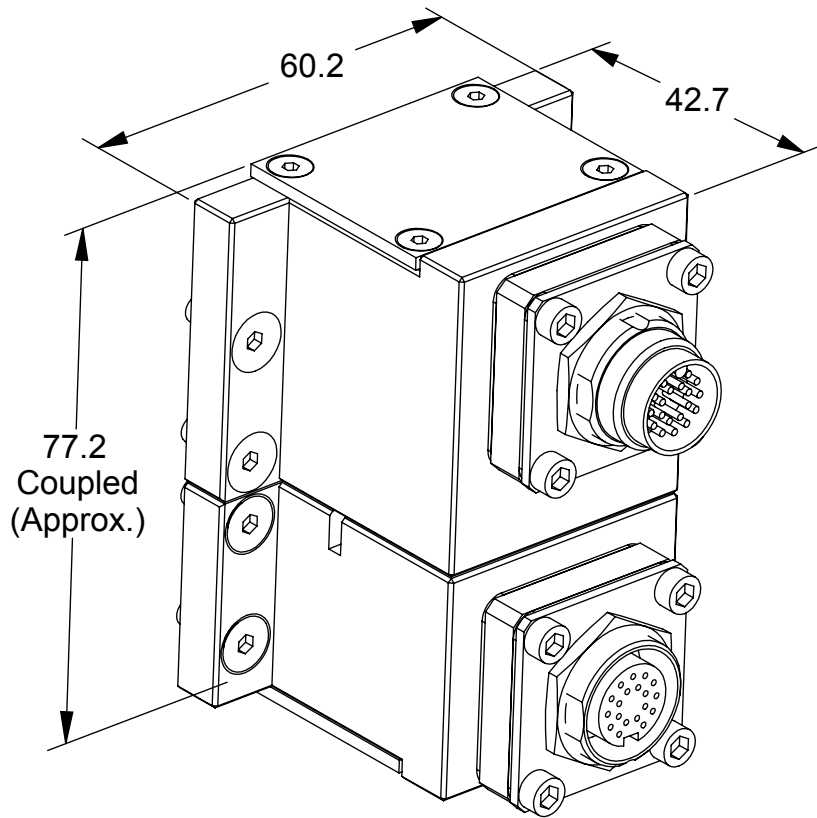


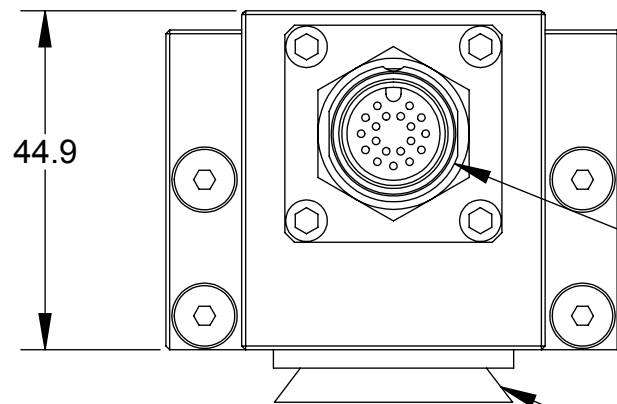
Rev.	Description	Initiator	Date
01	ECO# 6545 Initial Issue	PS	7/24/2008
02	Eco 8762; Changed the Master overall height dimension 58.5 to 64.8 & Tool overall height from 47.3 to 57. Fixed Pin Block Assembly & Connector mates in Model.	CF	8/19/2011



RF19PD Master Module  
(9120-RF19PD-M)

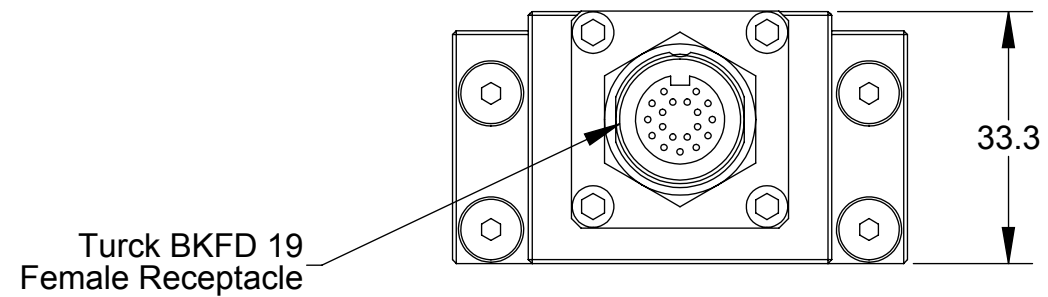


RF19PD Tool Module  
(9120-RF19PD-T)



Turck BSFD 19  
Male Receptacle

Servicable Part:  
(V-Ring)  
4010-0000030-01



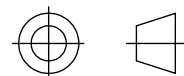
Turck BKFD 19  
Female Receptacle

Notes:

- See sheet 2 for wiring and pin out.

NOTES: UNLESS OTHERWISE SPECIFIED.

DO NOT SCALE DRAWING. ALL DIMENSIONS ARE IN MILLIMETERS.



3rd ANGLE PROJECTION



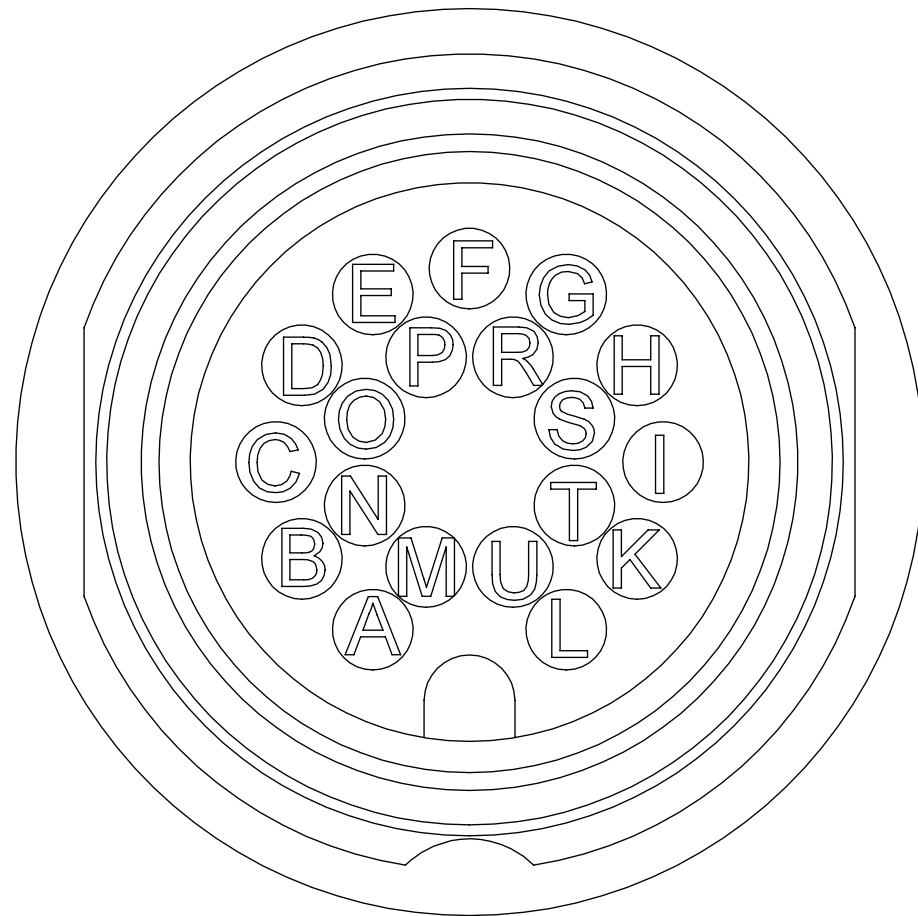
1031 Goodworth Drive, Apex, NC 27539, USA  
Tel: +1.919.772.0115 Email: info@ati-ia.com  
Fax: +1.919.772.8259 www.ati-ia.com  
ISO 9001 Registered Company

PROPERTY OF ATI INDUSTRIAL AUTOMATION, INC. NOT TO BE REPRODUCED IN ANY MANNER EXCEPT ON ORDER OR WITH PRIOR WRITTEN AUTHORIZATION OF ATI.

DRAWN BY: P.Sparrow, 7/24/08		TITLE	
CHECKED BY: D.Swanson, 7/24/08		RF19PD Potted Module Drawing	
PROJECT # -	SHEET 1 OF 2	SCALE	REVISION
		1:1	02
SIZE	DRAWING NUMBER		
B	9630-20-RF19PD		

Rev.	Description	Initiator	Date
-	See Sheet1	-	-

Master Connector

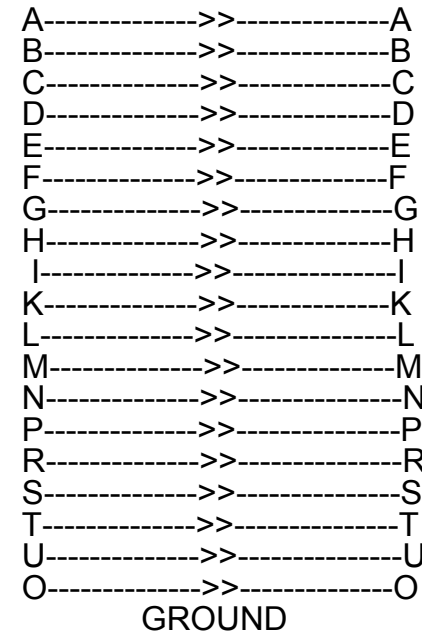


Turck BSFD 19

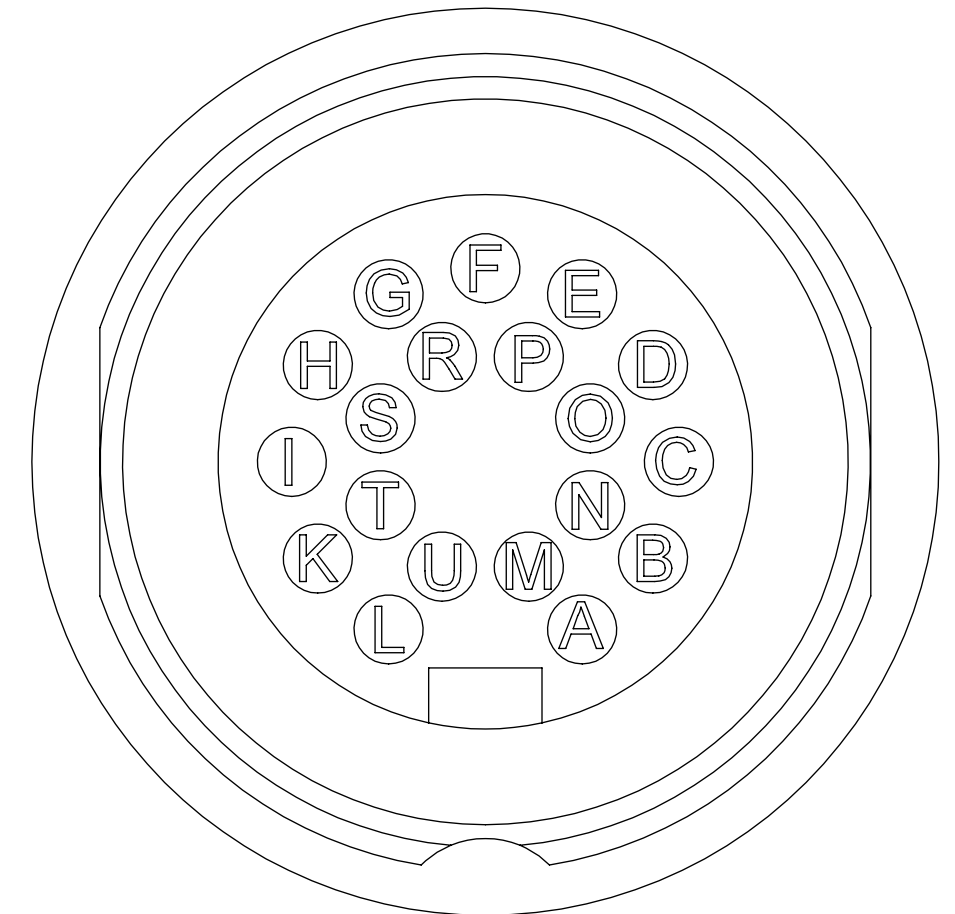
RF19PD Pin Out

RF19PD Master  
Turck BSFD 19  
Male Connector

RF19PD Tool  
Turck BKFD 19  
Female Connector



Tool Connector



Turck BKFD 19

Notes:


- 1) Pin "O" on the Turck receptacle is first to mate, last to break at the tool changer interface. This pin is recommended for use as a VDC and/or ground service.
- 2) DANGER! -For electrical modules using >60 VDC or 42 VAC, NO contact should be attempted before removing power. This especially includes separation or insertion of the mating connectors or any contact with the tool changer or its' components.

NOTES: UNLESS OTHERWISE SPECIFIED.

DO NOT SCALE DRAWING. ALL DIMENSIONS ARE IN MILLIMETERS.



3rd ANGLE PROJECTION



1031 Goodworth Drive, Apex, NC 27539, USA  
 Tel: +1.919.772.0115 Email: info@ati-ia.com  
 Fax: +1.919.772.8259 www.ati-ia.com  
 ISO 9001 Registered Company

PROPERTY OF ATI INDUSTRIAL AUTOMATION, INC. NOT TO BE REPRODUCED IN ANY MANNER EXCEPT ON ORDER OR WITH PRIOR WRITTEN AUTHORIZATION OF ATI.

DRAWN BY: P.Sparrow, 7/24/08		TITLE	
CHECKED BY: D.Swanson, 7/24/08		RF19PD Potted Module Drawing	
PROJECT # -	SHEET 2 OF 2	SCALE	REVISION
		1:1	02
SIZE	DRAWING NUMBER		
B	9630-20-RF19PD		