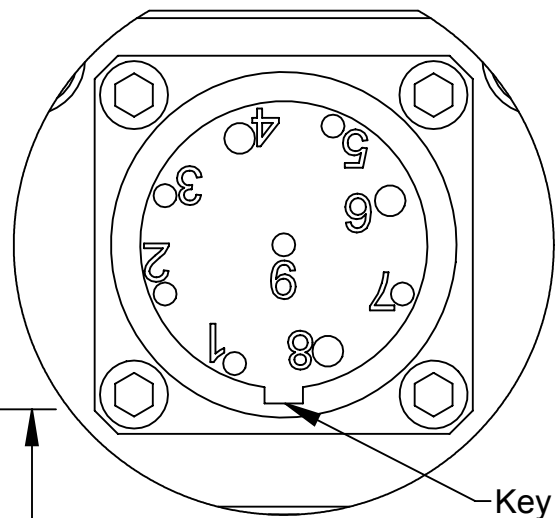
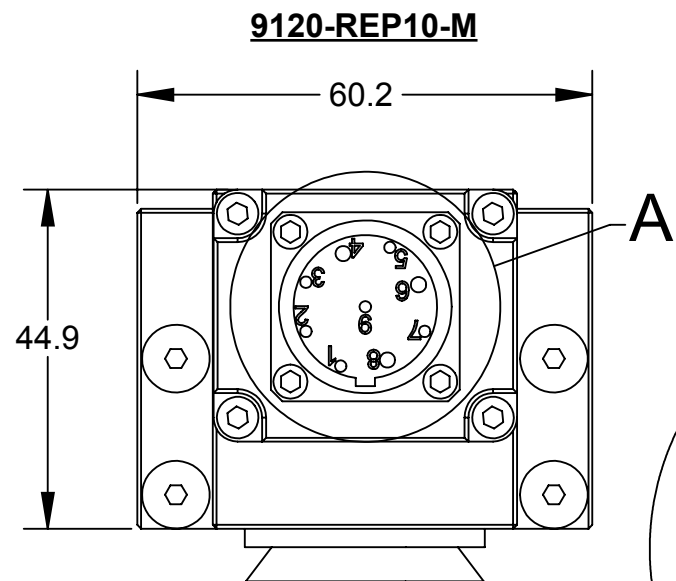


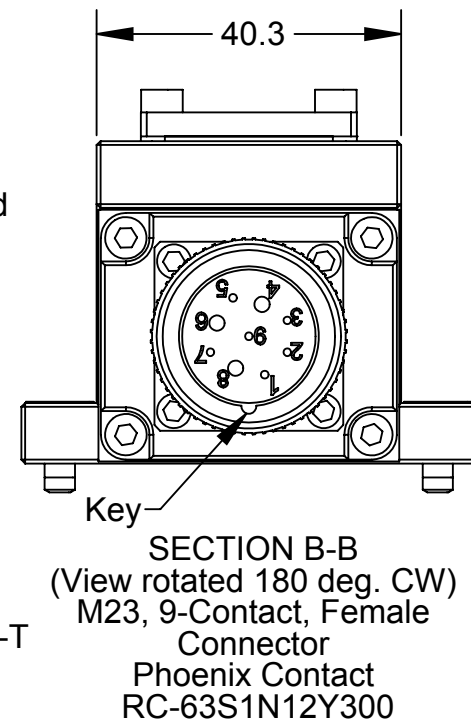
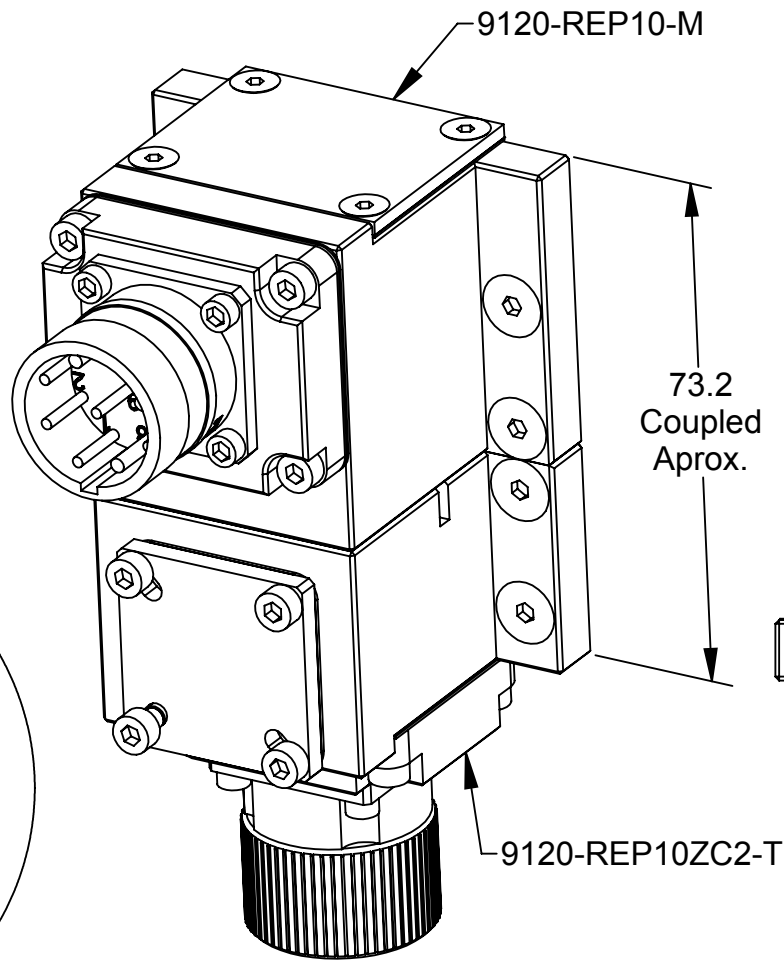
"DANGER!" - Electrical Shock Hazard

This module has a Voltage of 50V or greater, NO contact should be attempted before removing power. This especially includes separation or insertion of the mating connectors or any contact with the tool changer or its components.

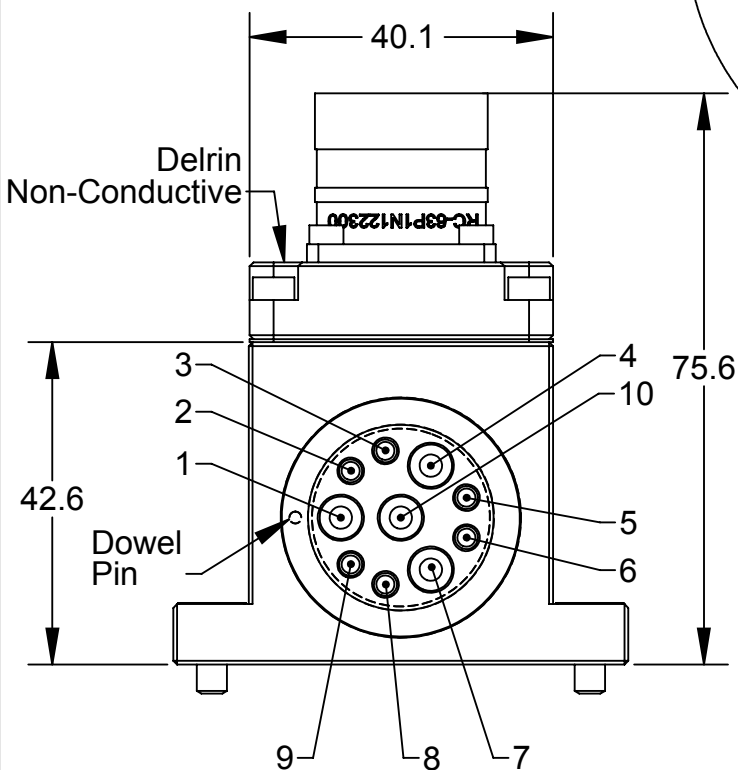
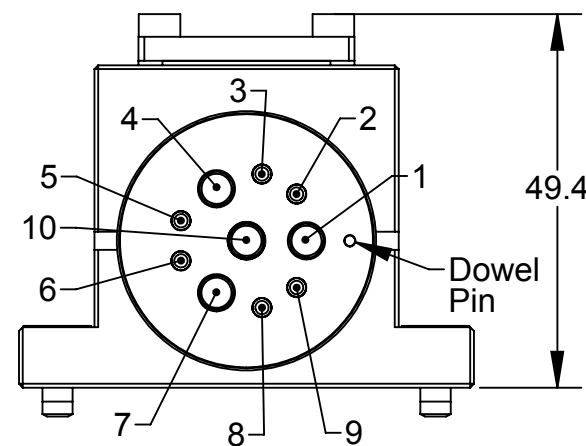
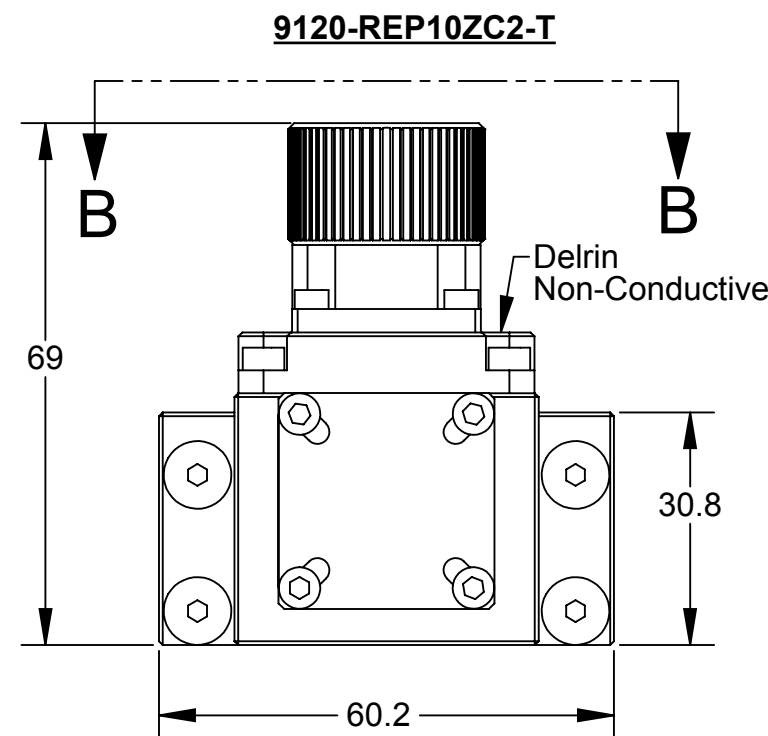
Rev.	Description	Initiator	Date
05	Eco 16425; Changed voltage rating to 150V.	CF	1/4/2018



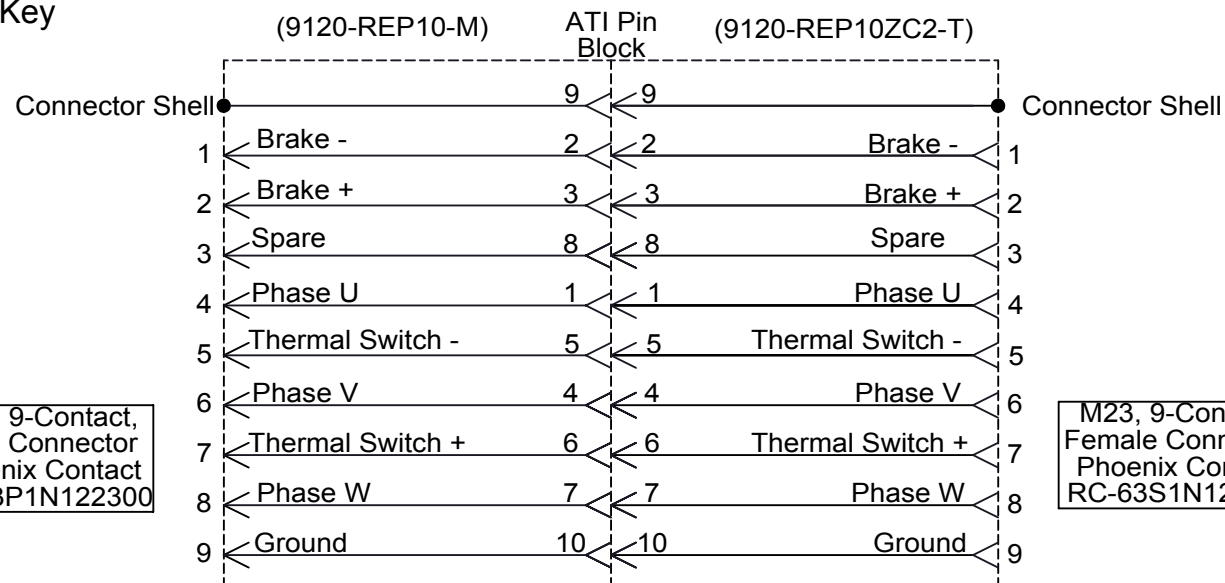
DETAIL A
SCALE 2 : 1
M23, 9-Contact, Male Connector
Phoenix Contact
RC-63P1N122300



SECTION B-B
(View rotated 180 deg. CW)
M23, 9-Contact, Female Connector
Phoenix Contact
RC-63S1N12Y300



ELECTRICAL SCHEMATIC

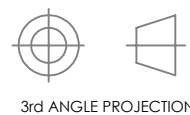


M23, 9-Contact, Male Connector
Phoenix Contact
RC-63P1N122300

M23, 9-Contact, Female Connector
Phoenix Contact
RC-63S1N12Y300

NOTES: UNLESS OTHERWISE SPECIFIED.

DO NOT SCALE DRAWING. ALL DIMENSIONS ARE IN MILLIMETERS.



1031 Goodworth Drive, Apex, NC 27539, USA
Tel: +1.919.772.0115 Email: info@ati-ia.com
Fax: +1.919.772.8259 www.ati-ia.com
ISO 9001 Registered Company

PROPERTY OF ATI INDUSTRIAL AUTOMATION, INC. NOT TO BE REPRODUCED IN ANY MANNER EXCEPT ON ORDER OR WITH PRIOR WRITTEN AUTHORIZATION OF ATI.

- Notes:
- The Ground is passed from Master to Tool via Pin 10 of the 10-Pin Pin Block, which is first-to-mate last-to-brake when toolchanger couples.
 - The REP10 Module pins 1,4,7,10 are rated for 15A maximum current, 150V maximum voltage and pins 2,3,5,6,8,9 are rated for 5A maximum current, 150V maximum voltage.

DRAWN BY: I,Khan, 10/17/2016		TITLE	
CHECKED BY: W. Berrocal, 10/18/2016 D.Fleissner, 10/20/2016		Servo Power Module Assembly and Wiring	
PROJECT # 161005-3	SHEET 1 OF 1	SCALE 1:1	SIZE B
DRAWING NUMBER 9630-20-REP10M REP10ZC2T		REVISION 05	