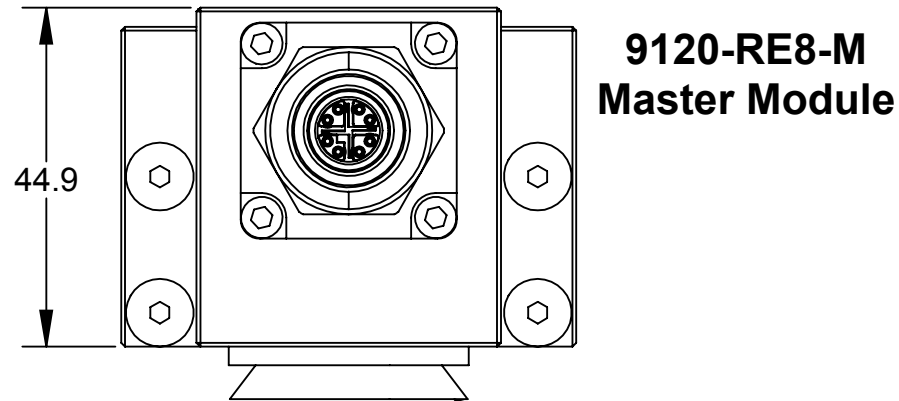
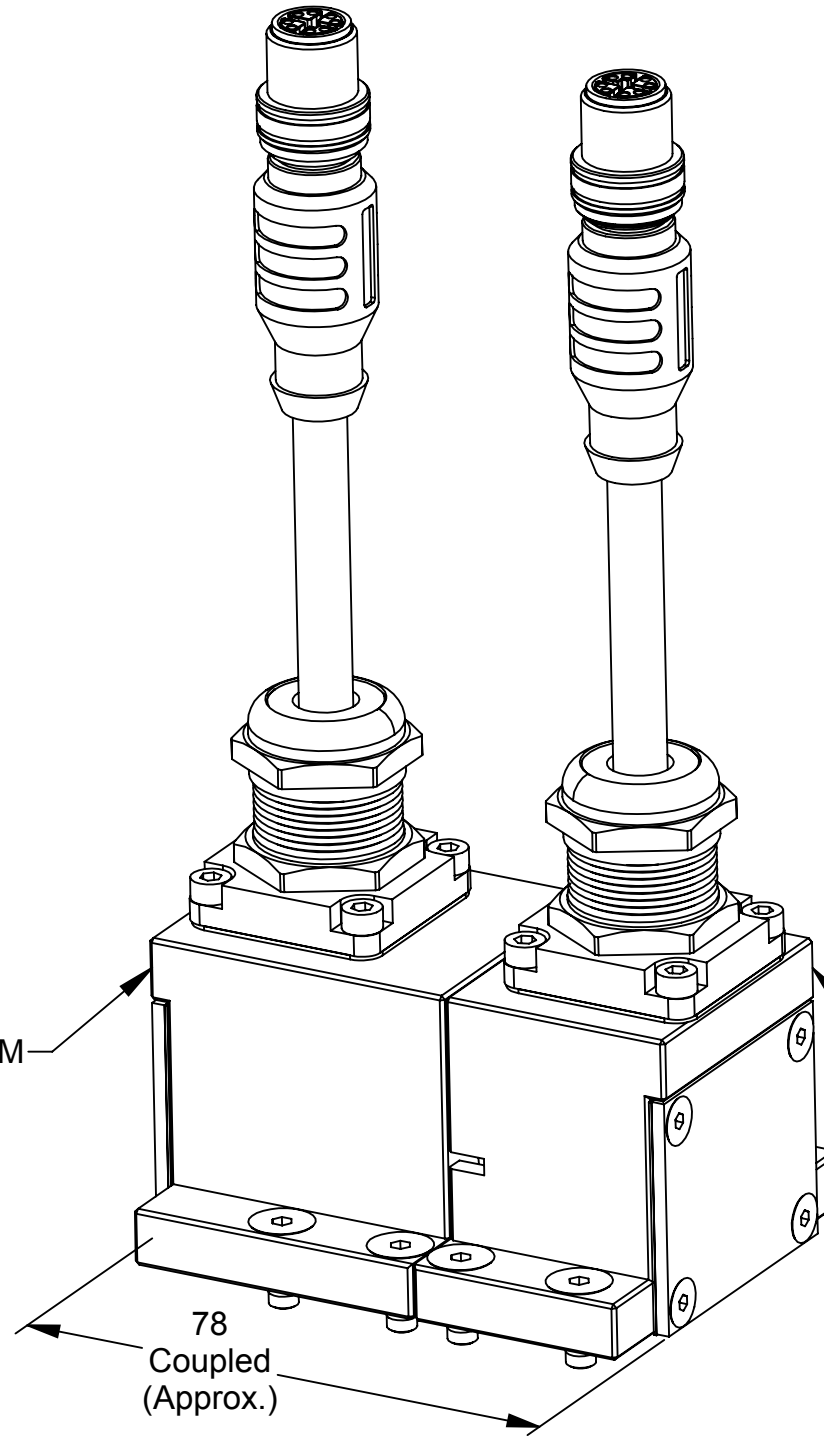
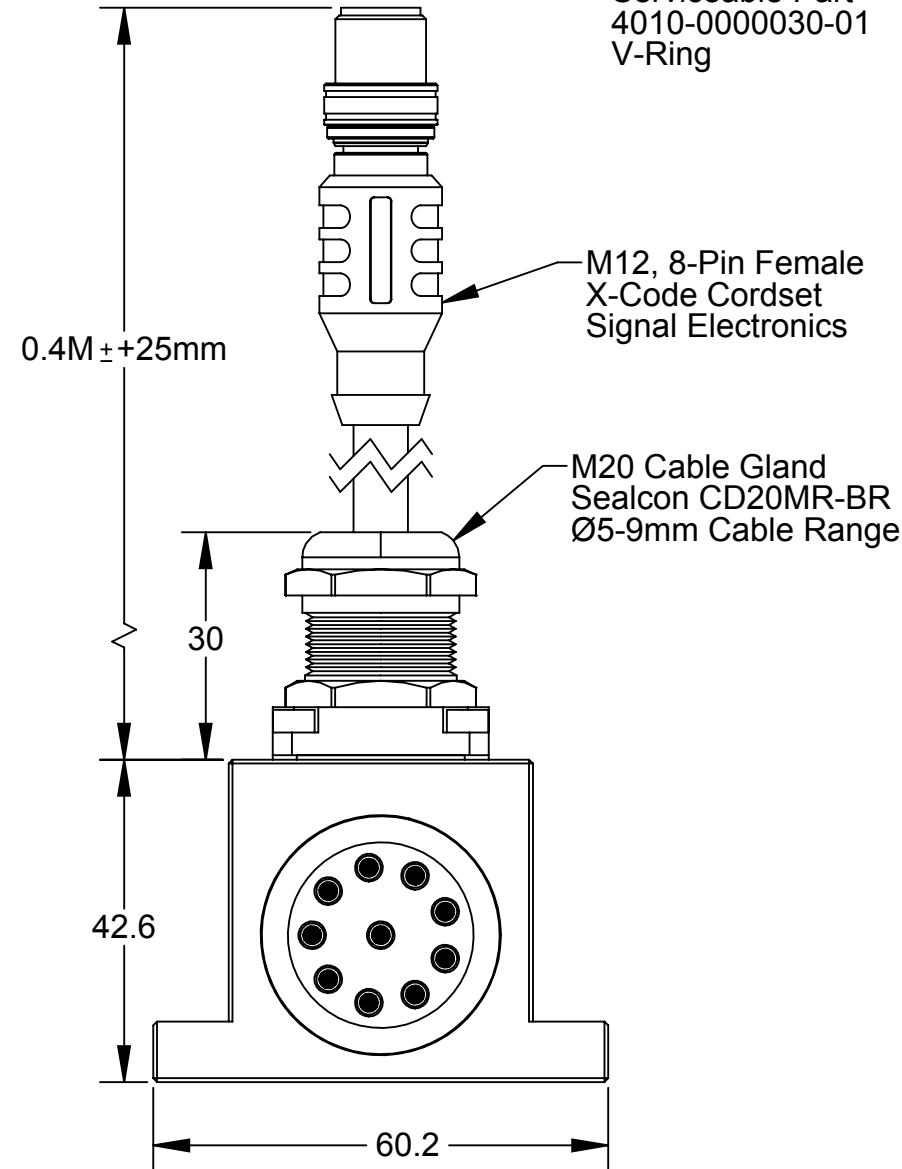


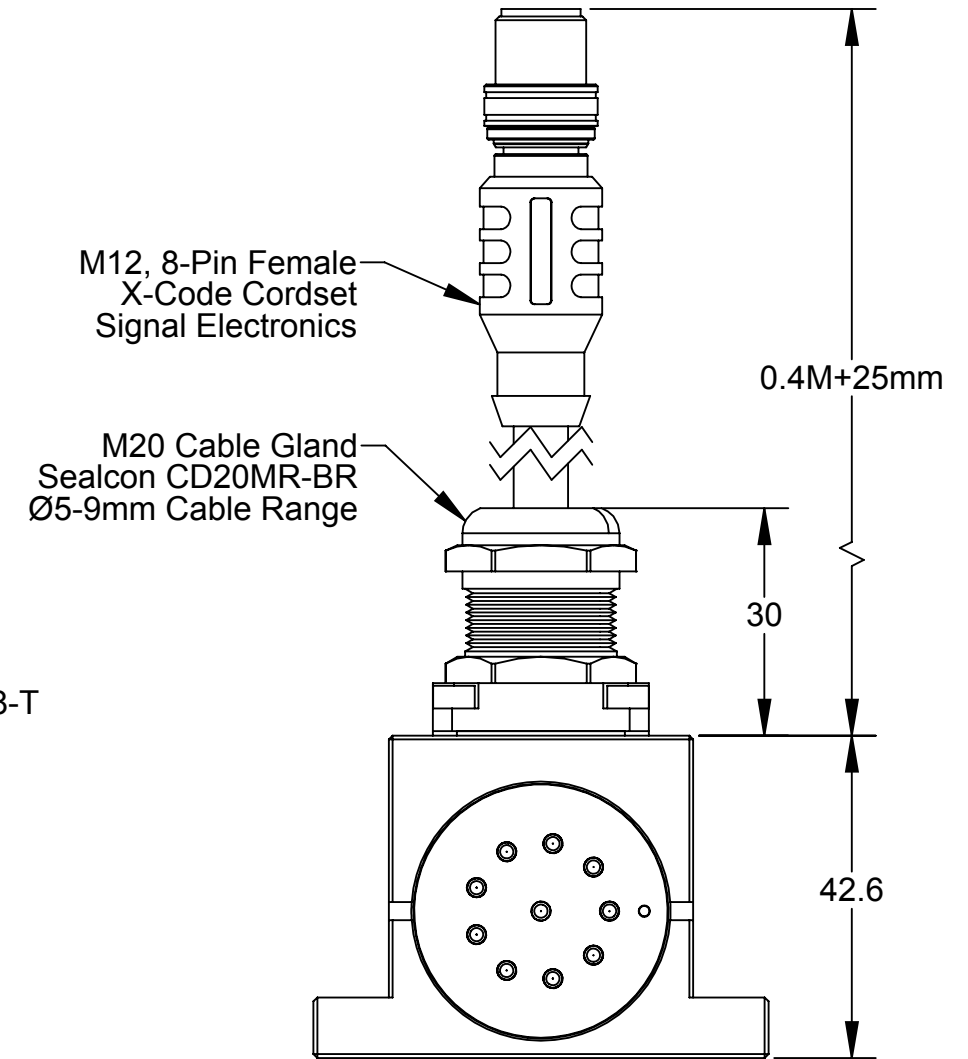
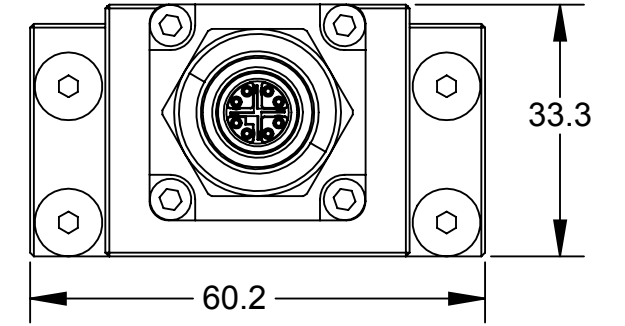
REV.	DESCRIPTION	INITIATOR	DATE
05	Eco 16651; Added 2nd ground wire from Pin #9 to Connector Shell.	CF	3/13/2018



Serviceable Part
4010-0000030-01
V-Ring



**9120-RE8-T
Tool Module**



- Notes:
1. Module rating: 0.5 Amps / 48 VDC.
 2. Customer is to approve connector selection and orientation.
 3. See Sheet 2 for Customer Interface information.
 4. See sheet 3 for module wiring schematic.

NOTES: UNLESS OTHERWISE SPECIFIED.

DO NOT SCALE DRAWING.
ALL DIMENSIONS ARE IN
MILLIMETERS.



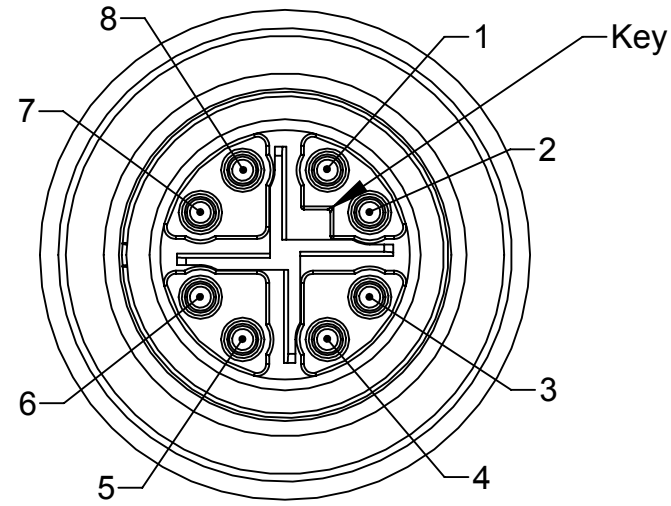
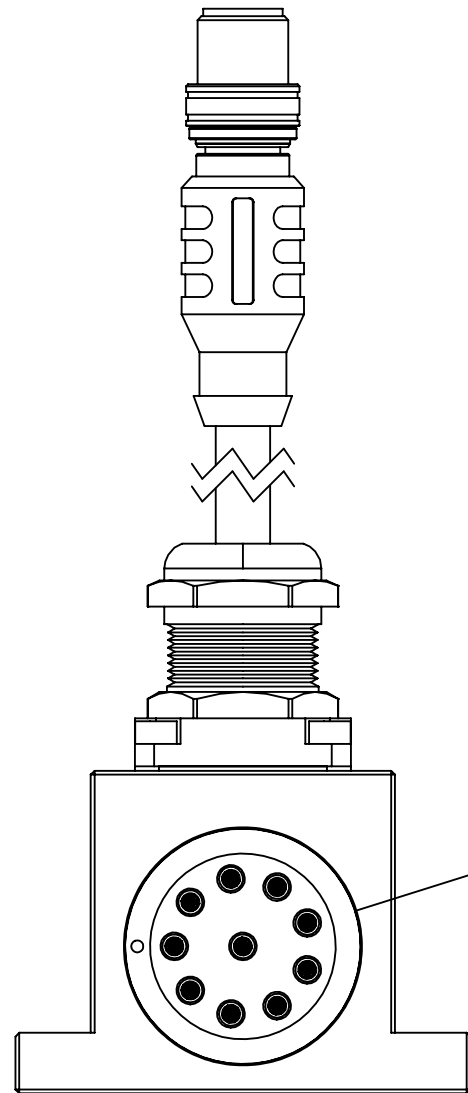
1031 Goodworth Drive, Apex, NC 27539, USA
Tel: +1.919.772.0115 Email: info@ati-ia.com
Fax: +1.919.772.8259 www.ati-ia.com
ISO 9001 Registered Company

PROPERTY OF ATI INDUSTRIAL AUTOMATION, INC. NOT TO BE REPRODUCED IN ANY MANNER EXCEPT ON ORDER OR WITH PRIOR WRITTEN AUTHORIZATION OF ATI.

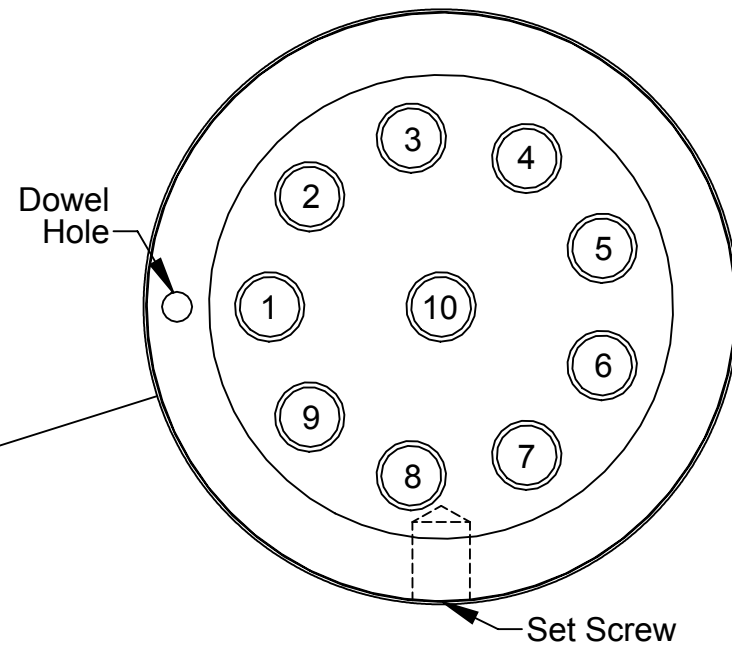
DRAWN BY: P.Luczka, 4/7/17		TITLE	
CHECKED BY: W.Berrocal, 4/17/17 L.Jamshidi, 4/20/17		RE8 Ethernet Module, X-Code M12 CordSet Drawing	
PROJECT # 170406-2 SHEET 1 OF 3	SCALE 1:1	SIZE B	DRAWING NUMBER 9630-20-RE8
			REVISION 05

REV.	DESCRIPTION	INITIATOR	DATE
-	See Sheet1	-	-

**9120-RE8-M
Master Module**

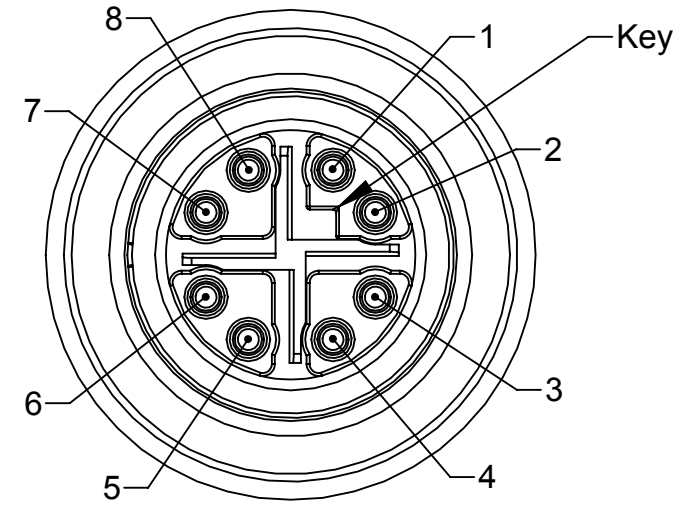
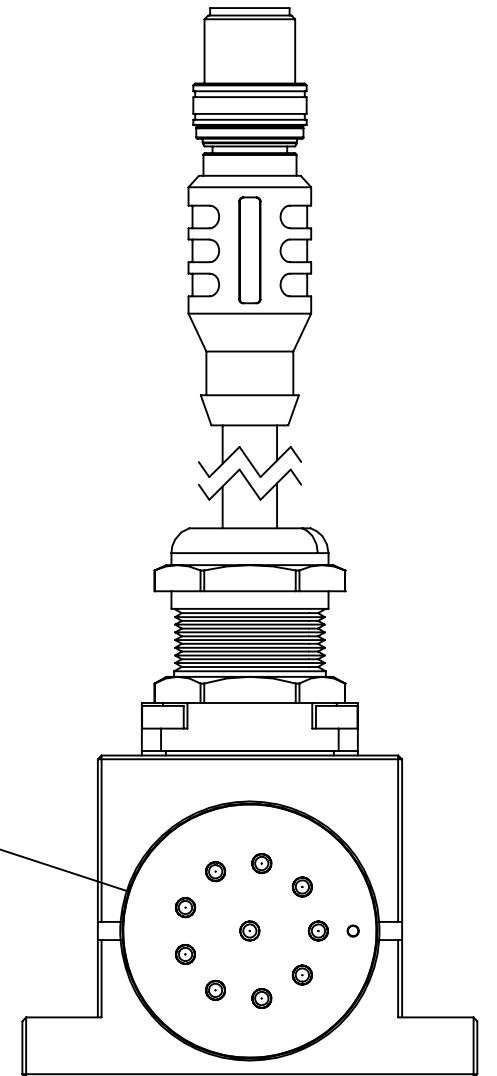


M12, 8-Pin Female
Connector Cordset

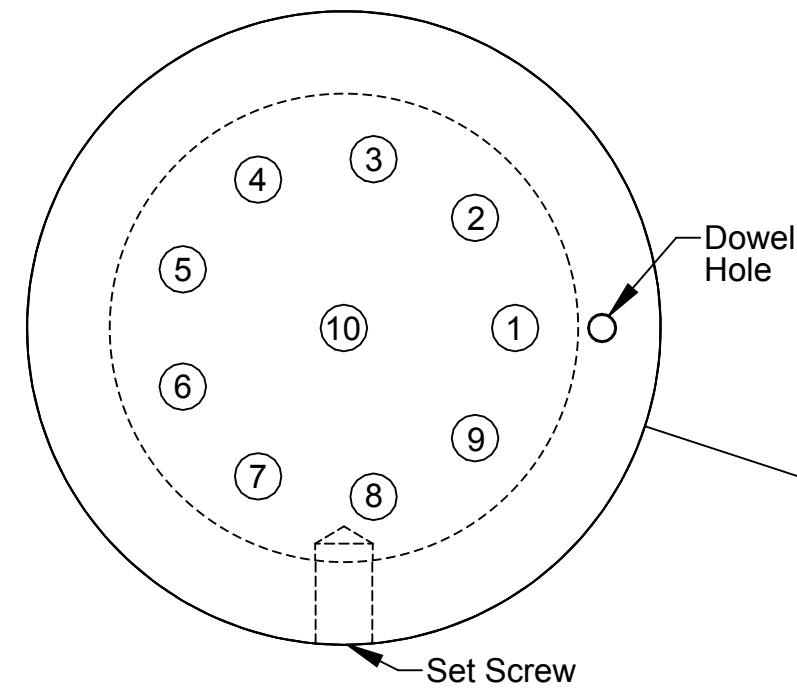


DETAIL A
SCALE 2.5 : 1
ATI 10-Pin
Pin Block

**9120-RE8-T
Tool Module**



M12, 8-Pin Female
Connector Cordset



DETAIL B
SCALE 2.5 : 1
ATI 10-Pin
Pin Block

NOTES: UNLESS OTHERWISE SPECIFIED.

DO NOT SCALE DRAWING. ALL DIMENSIONS ARE IN MILLIMETERS.



3rd ANGLE PROJECTION

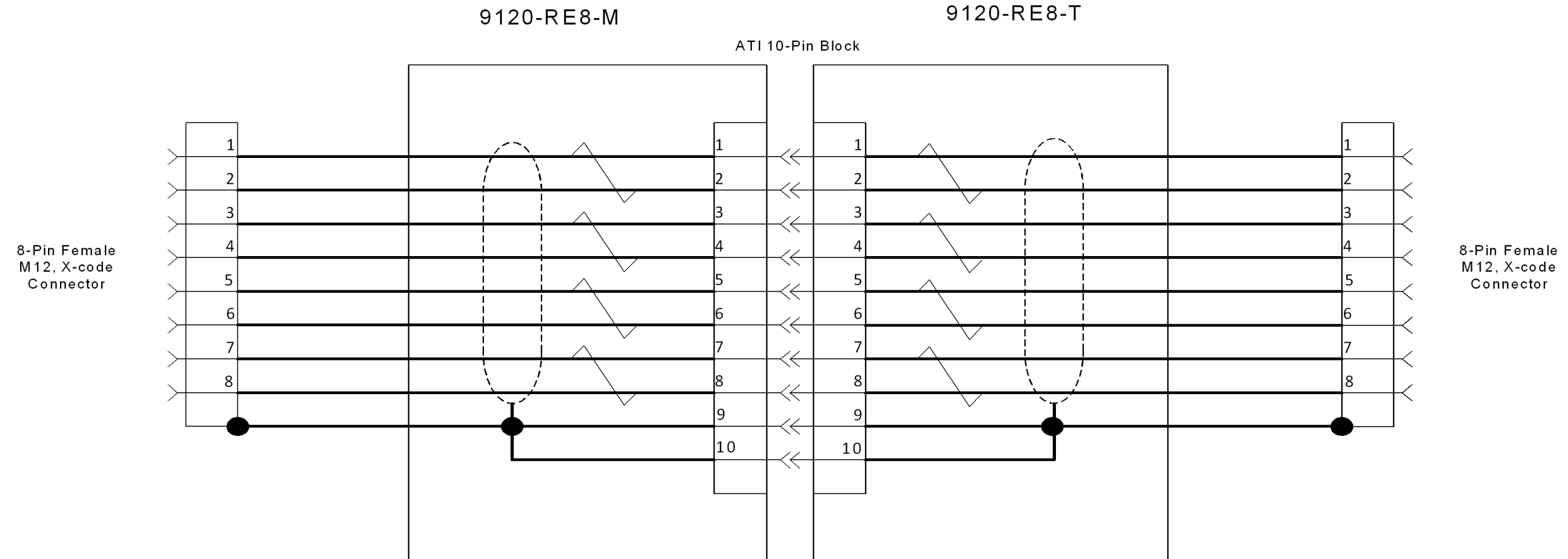


1031 Goodworth Drive, Apex, NC 27539, USA
Tel: +1.919.772.0115 Email: info@ati-ia.com
Fax: +1.919.772.8259 www.ati-ia.com
ISO 9001 Registered Company

PROPERTY OF ATI INDUSTRIAL AUTOMATION, INC. NOT TO BE REPRODUCED IN ANY MANNER EXCEPT ON ORDER OR WITH PRIOR WRITTEN AUTHORIZATION OF ATI.

DRAWN BY: P.Luczka, 4/7/17		TITLE	
CHECKED BY: W.Berrocal, 4/17/17 L.Jamshidi, 4/20/17		RE8 Ethernet Module, X-Code M12 CordSet Drawing	
PROJECT # 170406-2 SHEET 2 OF 3	SCALE 1:1	SIZE B	DRAWING NUMBER 9630-20-RE8
			REVISION 05

REV.	DESCRIPTION	INITIATOR	DATE
-	See Sheet1	-	-



Notes:

1. Pin 10 on ATI Pin Block is First-To-Mate and Last-To-Break contact.

NOTES: UNLESS OTHERWISE SPECIFIED.

DO NOT SCALE DRAWING. ALL DIMENSIONS ARE IN MILLIMETERS.



3rd ANGLE PROJECTION



1031 Goodworth Drive, Apex, NC 27539, USA
 Tel: +1.919.772.0115 Email: info@ati-ia.com
 Fax: +1.919.772.8259 www.ati-ia.com
 ISO 9001 Registered Company

PROPERTY OF ATI INDUSTRIAL AUTOMATION, INC. NOT TO BE REPRODUCED IN ANY MANNER EXCEPT ON ORDER OR WITH PRIOR WRITTEN AUTHORIZATION OF ATI.

DRAWN BY: P.Luczka, 4/7/17		TITLE	
CHECKED BY: W.Berrocal, 4/17/17 L.Jamshidi, 4/20/17		RE8 Ethernet Module, X-Code M12 CordSet Drawing	
PROJECT #	170406-2	SHEET	3 OF 3
SCALE	1:1	SIZE	B
DRAWING NUMBER	9630-20-RE8		REVISION
			05