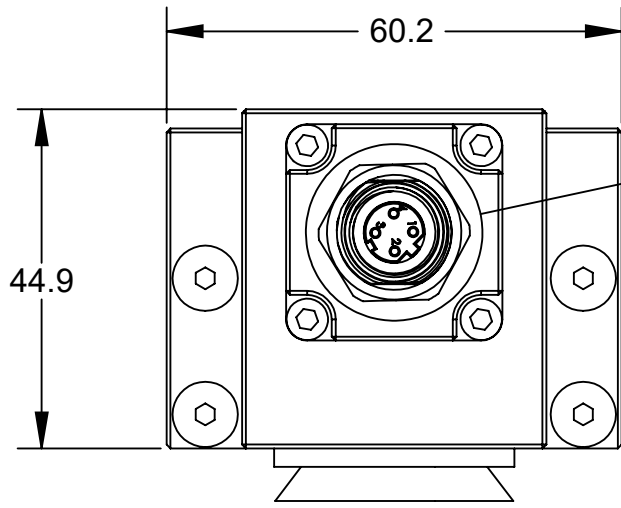


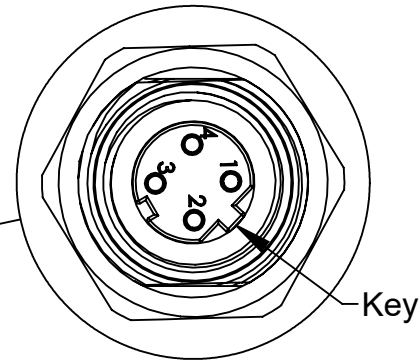
"DANGER!" - Electrical Shock Hazard

This module has a Voltage of 50V or greater, NO contact should be attempted before removing power. This especially includes separation or insertion of the mating connectors or any contact with the tool changer or its components.

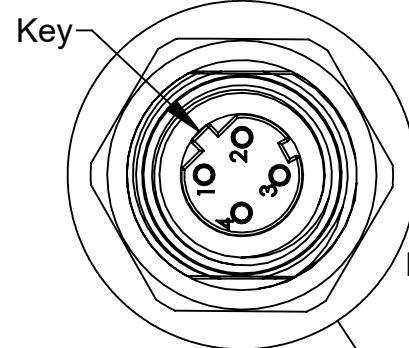
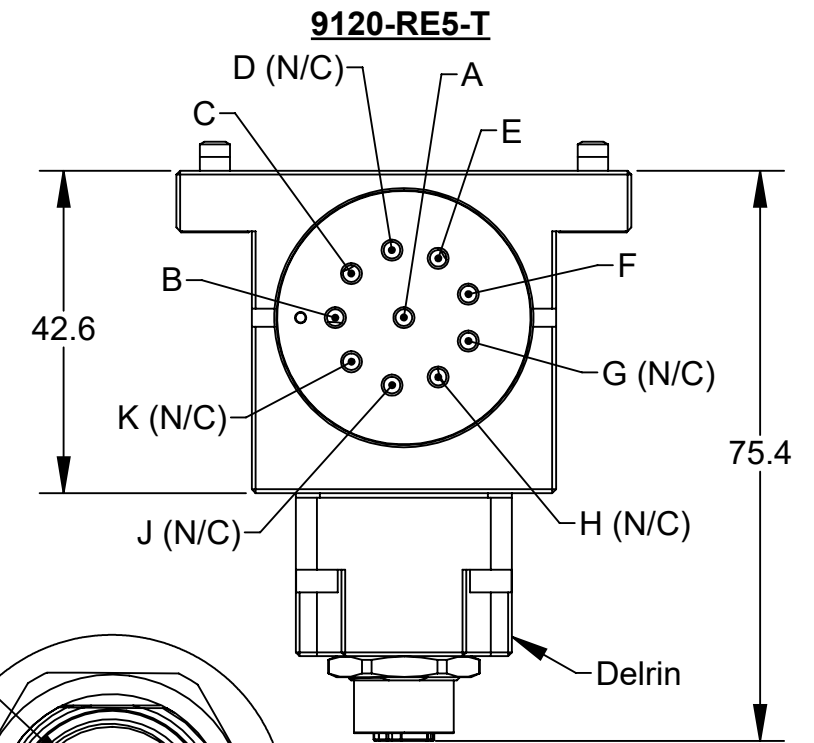
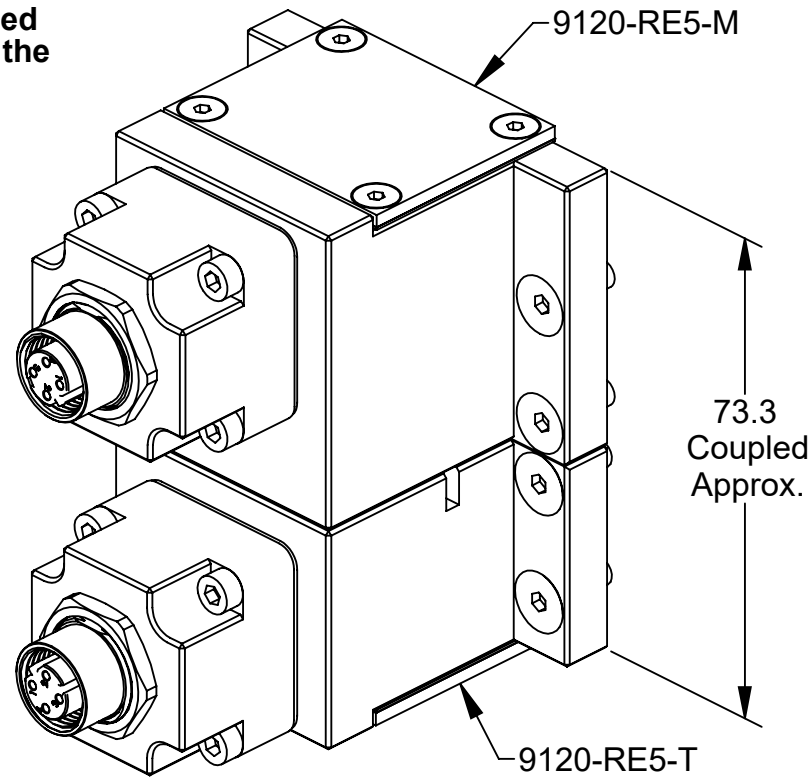
Rev.	Description	Initiator	Date
05	ECO 19422: Replaced "Turck FKDD 44" with "Signal Electronics # 120404-04-064" for Master and Tool. Removed Note 4	DS	11/6/2020



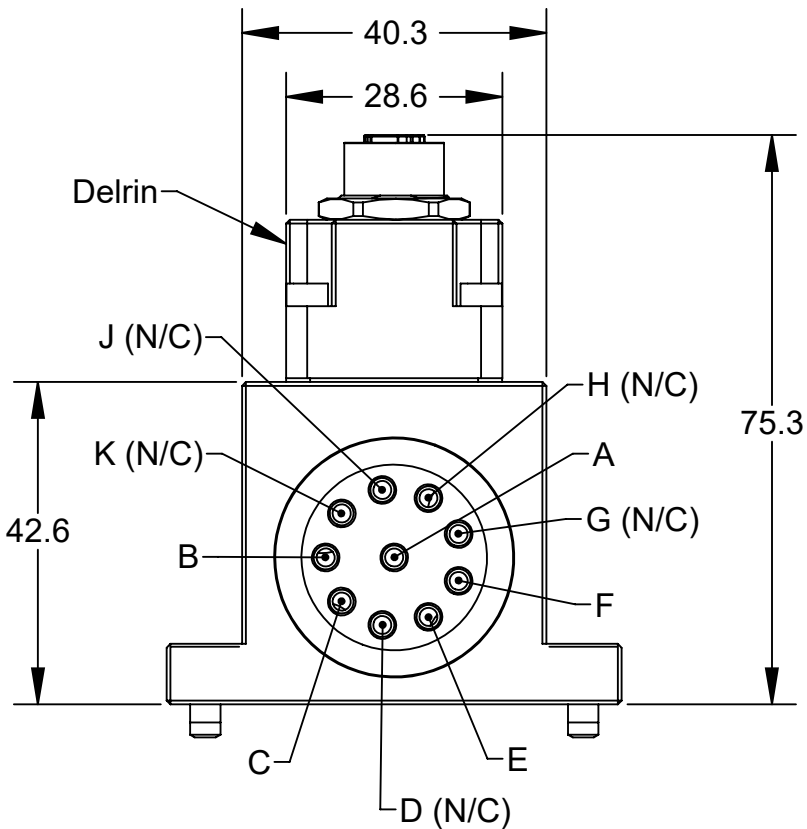
9120-RE5-M



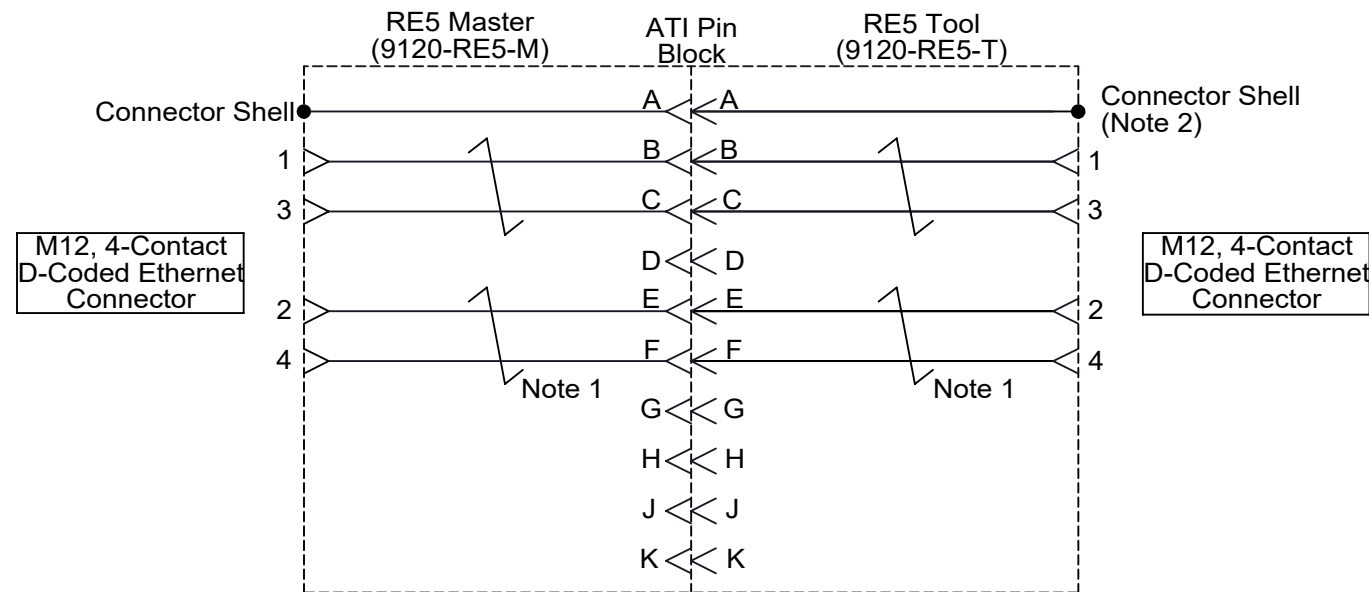
M12, 4-Contact, Female D-Coded Connector
Signal Electronics # 120404-04-064



M12, 4-Contact, Female D-Coded Connector
Signal Electronics # 120404-04-064



ELECTRICAL SCHEMATIC



- Notes:
- Twisted wire pairs are maintained through the Master and Tool on pins 1-3 and 2-4.
 - The Ethernet shield is passed from Master to Tool via Pin A of the 10-Pin Pin Block.
 - The RE5 Module is rated to 2A maximum current, 60V maximum voltage.

NOTES: UNLESS OTHERWISE SPECIFIED.

DO NOT SCALE DRAWING. ALL DIMENSIONS ARE IN MILLIMETERS.



3rd ANGLE PROJECTION



1031 Goodworth Drive, Apex, NC 27539, USA
 Tel: +1.919.772.0115 Email: info@ati-ia.com
 Fax: +1.919.772.8259 www.ati-ia.com
 ISO 9001 Registered Company

PROPERTY OF ATI INDUSTRIAL AUTOMATION, INC. NOT TO BE REPRODUCED IN ANY MANNER EXCEPT ON ORDER OR WITH PRIOR WRITTEN AUTHORIZATION OF ATI.

DRAWN BY: W. Berrocal, 4/11/11		TITLE RE5 Customer Drawing	
CHECKED BY: A. Strotzer, 4/12/11		SCALE 1:1	SIZE B
PROJECT # 110321-2 SHEET 1 OF 1	DRAWING NUMBER 9630-20-RE5	REVISION 05	