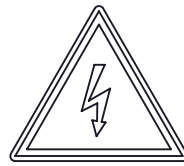


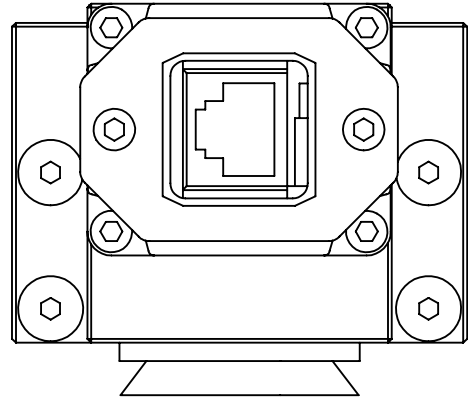
Rev.	Description	Initiator	Date
06	ECO 17063; Updated callouts. Updated Note 1.	MLS	7/26/2018



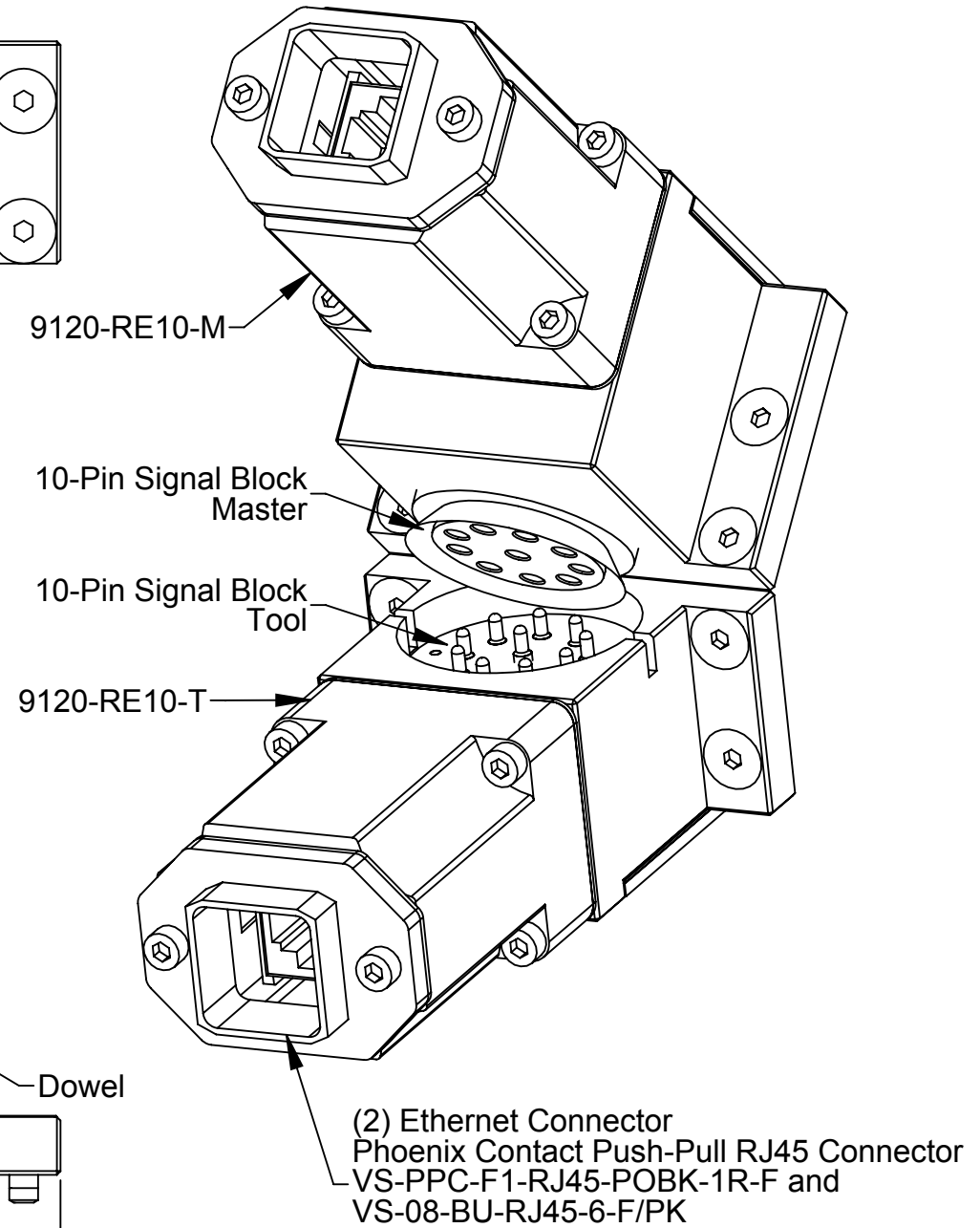
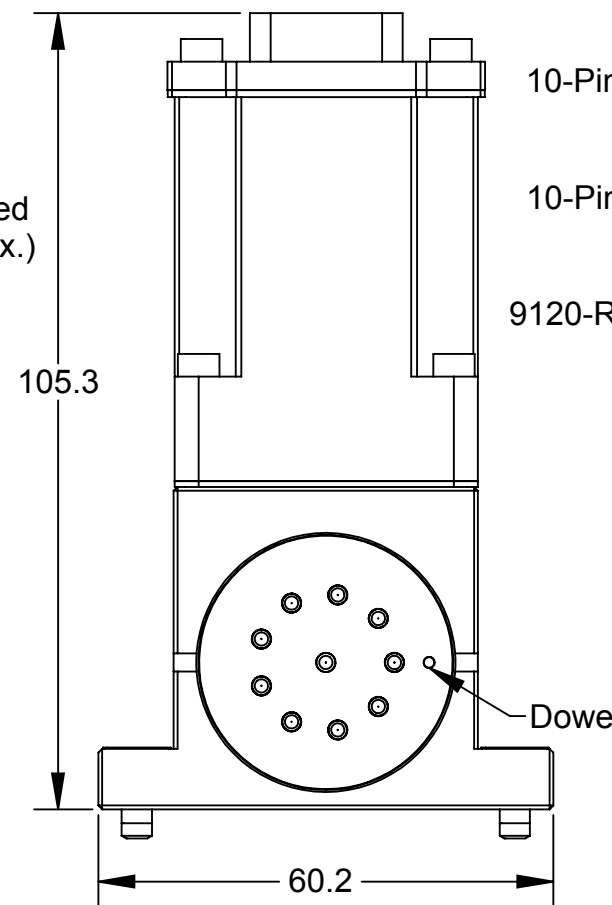
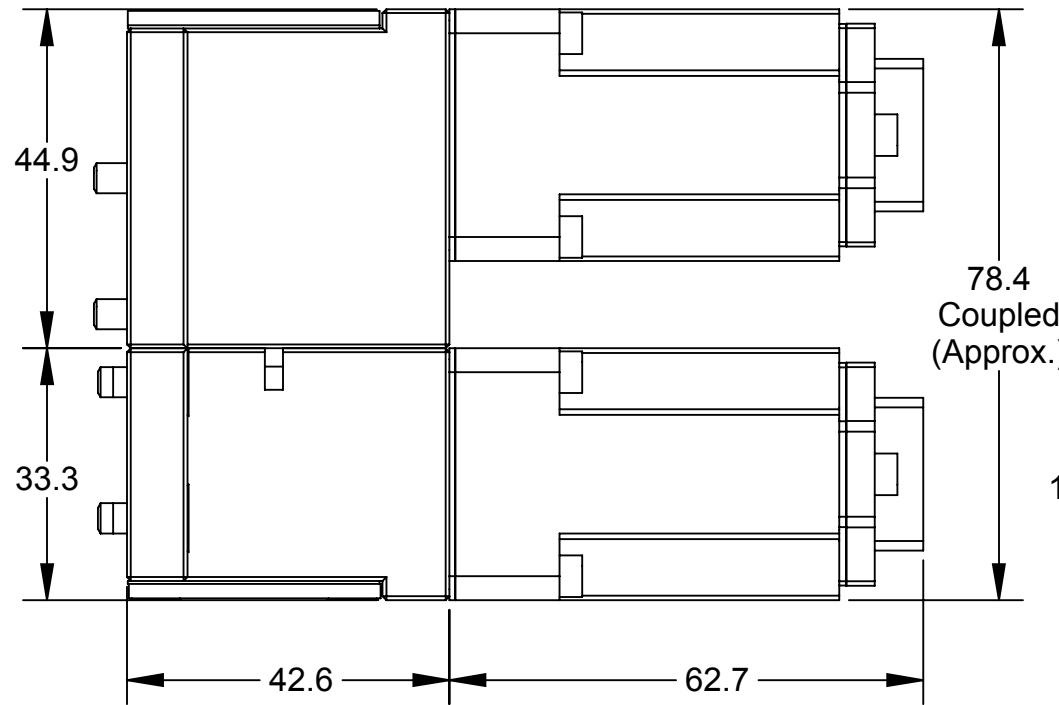
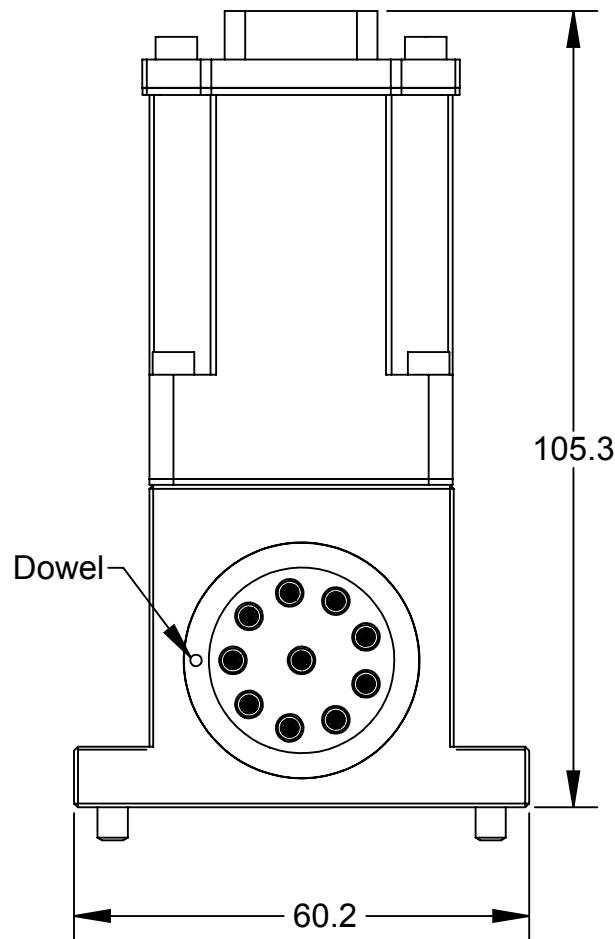
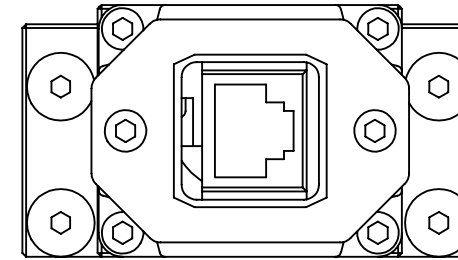
"DANGER!" - Electrical Shock Hazard

This module has a Voltage of 50V or greater, NO contact should be attempted before removing power. This especially includes separation or insertion of the mating connectors or any contact with the tool changer or its components.

9120-RE10-M



9120-RE10-T



NOTES: UNLESS OTHERWISE SPECIFIED.

DO NOT SCALE DRAWING. ALL DIMENSIONS ARE IN MILLIMETERS.



3rd ANGLE PROJECTION

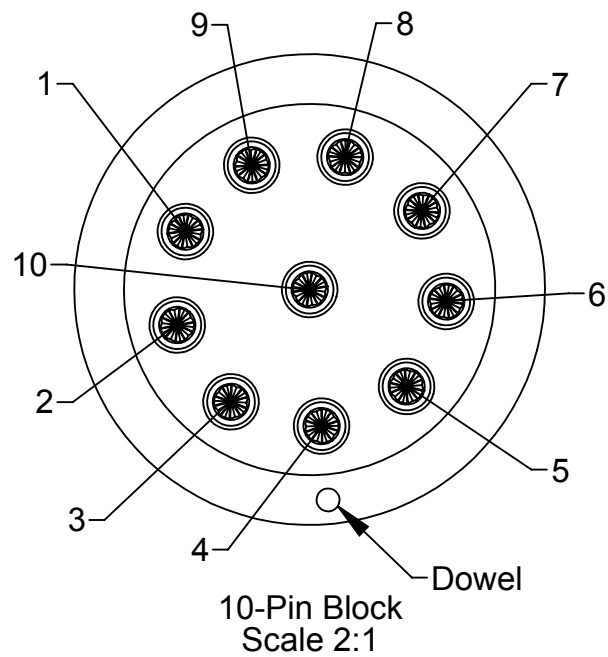


1031 Goodworth Drive, Apex, NC 27539, USA
 Tel: +1.919.772.0115 Email: info@ati-ia.com
 Fax: +1.919.772.8259 www.ati-ia.com
 ISO 9001 Registered Company

PROPERTY OF ATI INDUSTRIAL AUTOMATION, INC. NOT TO BE REPRODUCED IN ANY MANNER EXCEPT ON ORDER OR WITH PRIOR WRITTEN AUTHORIZATION OF ATI.

DRAWN BY: A Pongor, 02/25/11		TITLE	
CHECKED BY: D Norton, 02/25/11 D Mushow 02/25/11		10/100 CAT5e Ethernet Pass Through Module	
PROJECT #	101005-1 SHEET 1 OF 2	SCALE	1:1
SIZE	B	DRAWING NUMBER	9630-20-RE10
REVISION			06

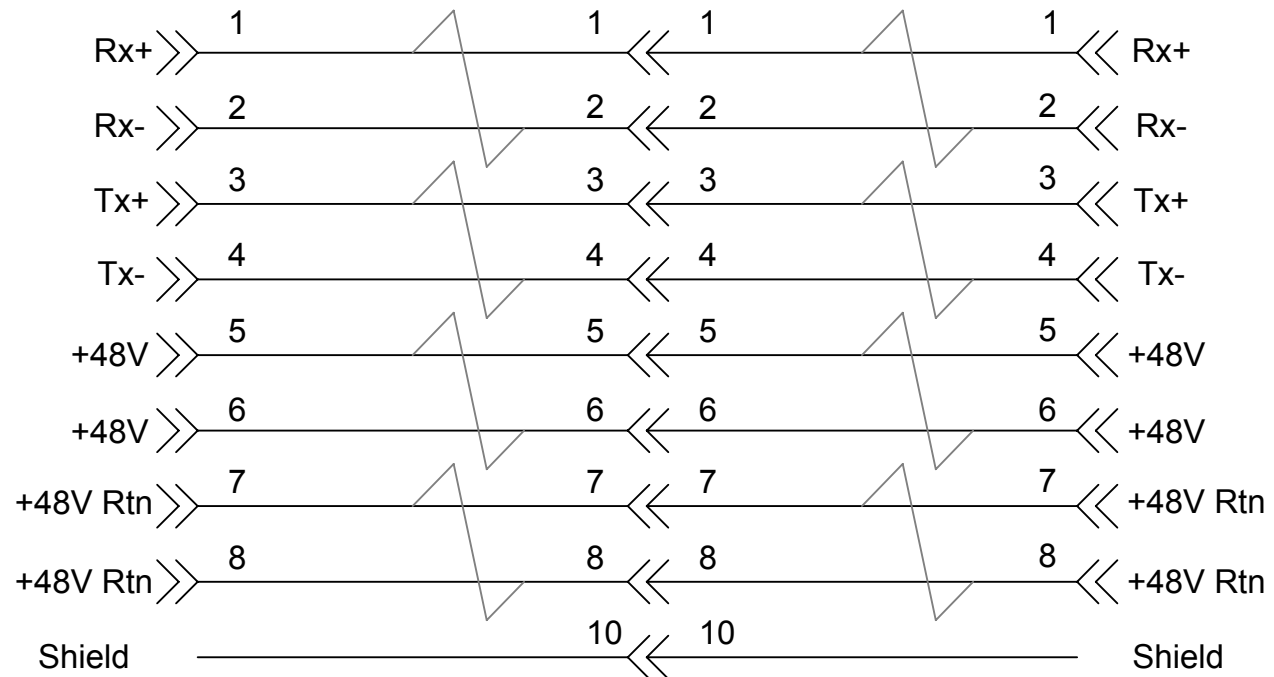
MASTER SIDE



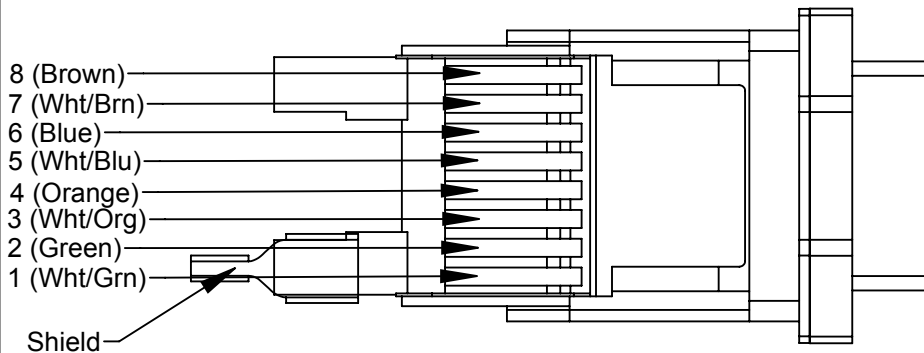
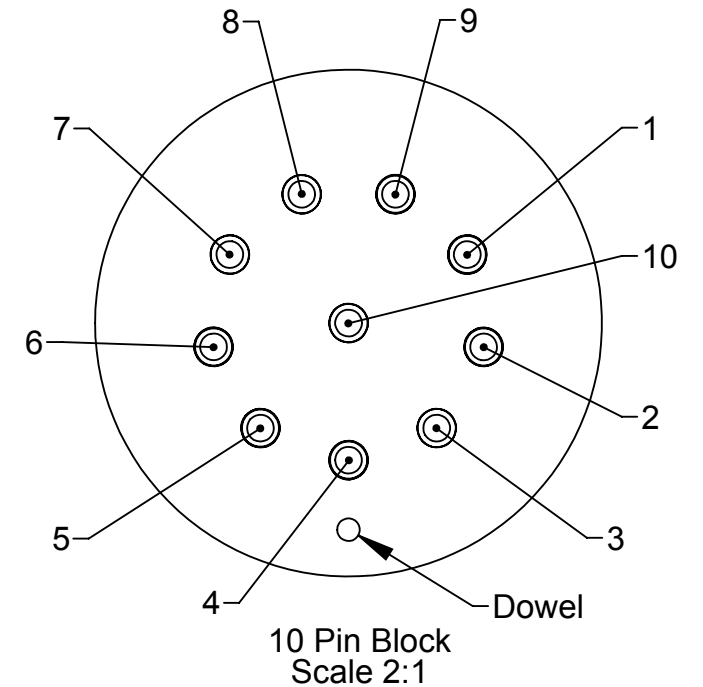
9120-RE10-M

9121-RE10-T

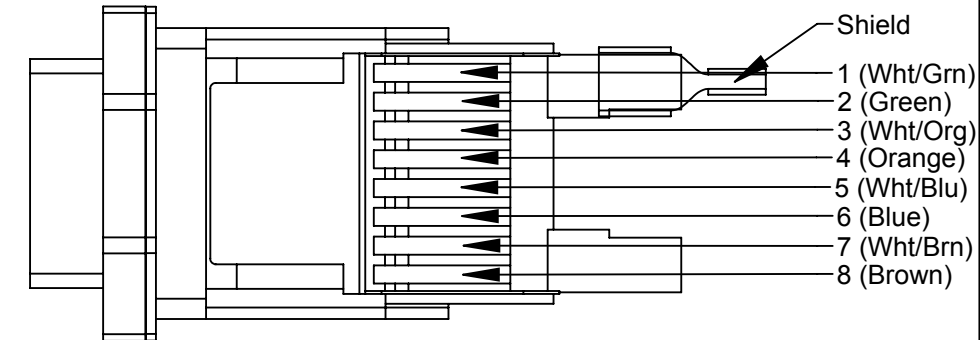
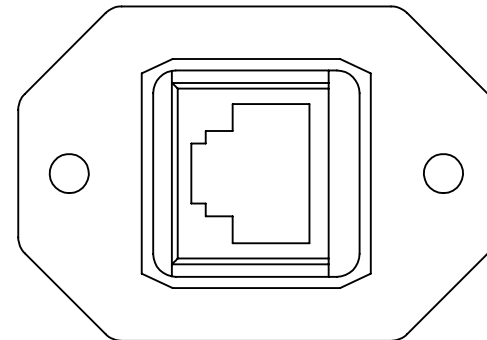
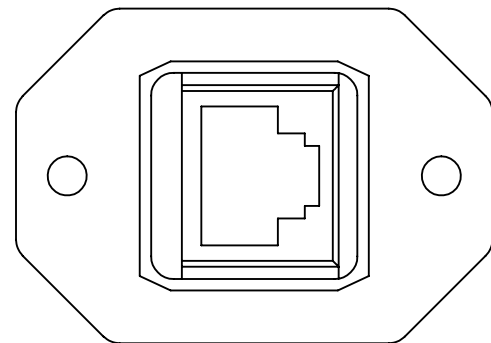
10-Pin Block



TOOL SIDE



Ethernet Connector
Phoenix Contact Push-Pull RJ45 Connector
VS-PPC-F1-RJ45-POBK-1R-F and
VS-08-BU-RJ45-6-F/PK
Scale 3:2



Ethernet Connector
Phoenix Contact Push-Pull RJ45 Connector
VS-PPC-F1-RJ45-POBK-1R-F and
VS-08-BU-RJ45-6-F/PK
Scale 3:2

Note

1. Pin 10 is first-to-mate, last-to-break contact.

NOTES: UNLESS OTHERWISE SPECIFIED.

DO NOT SCALE DRAWING. ALL DIMENSIONS ARE IN MILLIMETERS.



3rd ANGLE PROJECTION



1031 Goodworth Drive, Apex, NC 27539, USA
Tel: +1.919.772.0115 Email: info@ati-ia.com
Fax: +1.919.772.8259 www.ati-ia.com
ISO 9001 Registered Company

PROPERTY OF ATI INDUSTRIAL AUTOMATION, INC. NOT TO BE REPRODUCED IN ANY MANNER EXCEPT ON ORDER OR WITH PRIOR WRITTEN AUTHORIZATION OF ATI.

DRAWN BY: A Pongor, 02/25/11		TITLE	
CHECKED BY: D Norton, 02/25/11 D Mushow 02/25/11		10/100 CAT5e Ethernet Pass Through Module	
PROJECT #	101005-1 SHEET 2 OF 2	SCALE	1:1
SIZE	B	DRAWING NUMBER	9630-20-RE10
			REVISION
			06