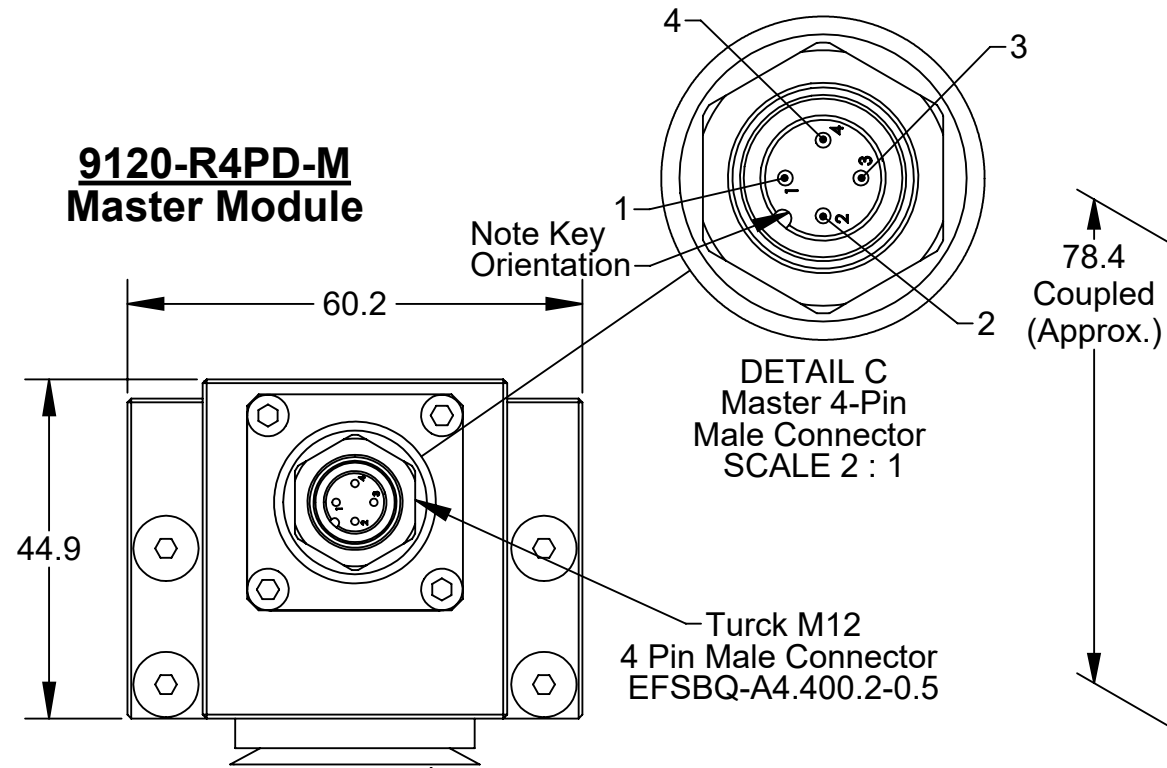


" DANGER!" - Electrical Shock Hazard

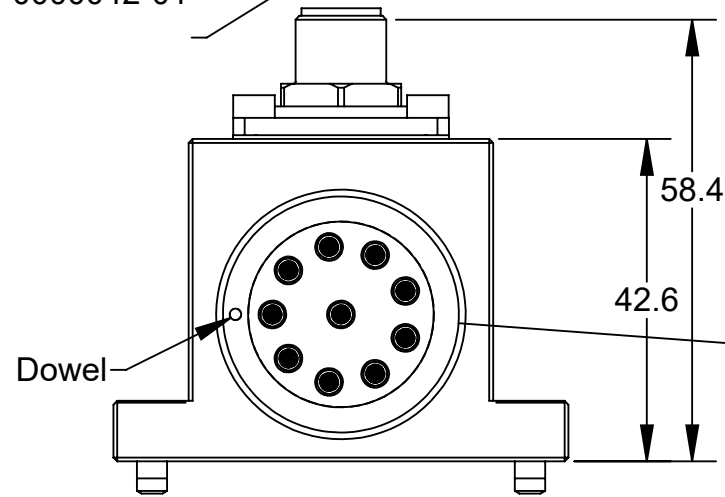
This module has a Voltage of 50V or greater, NO contact should be attempted before removing power. This especially includes separation or insertion of the mating connectors or any contact with the tool changer or its components."

Rev.	Description	Initiator	Date
04	ECO 18996: Replaced 1510-2313001-04 with 1510-2313035-04 and 1510-1313004-04 with 1510-1313035-04	NWB	6/9/2020

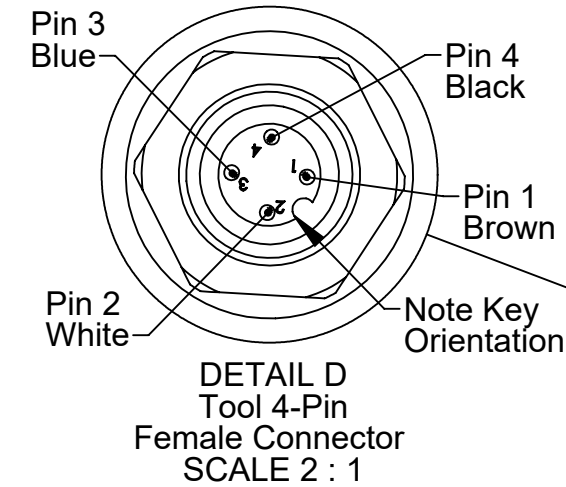
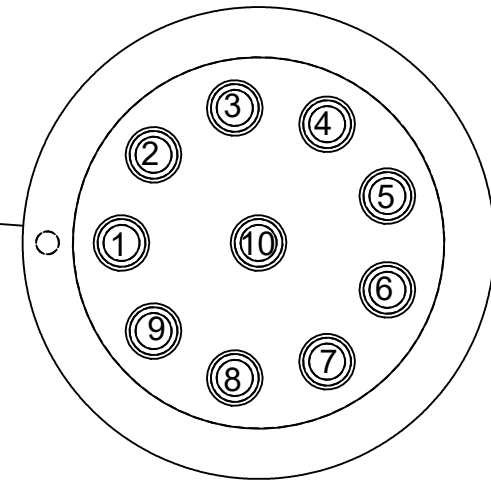
**9120-R4PD-M
Master Module**



Serviceable Part
(V-Ring)
4010-0000042-01

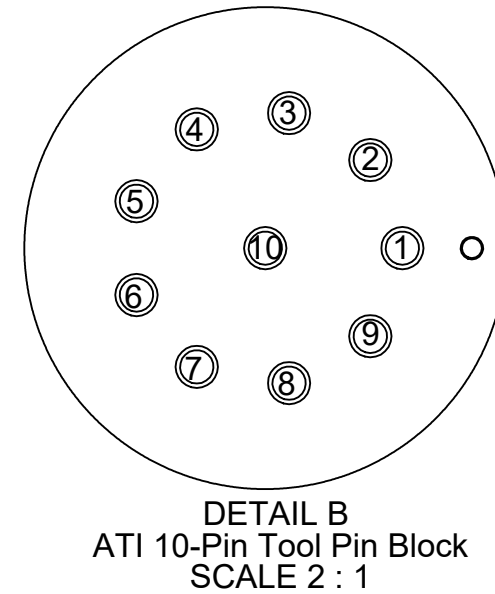


**DETAIL A
ATI 10-Pin Master Pin Block
SCALE 2 : 1**

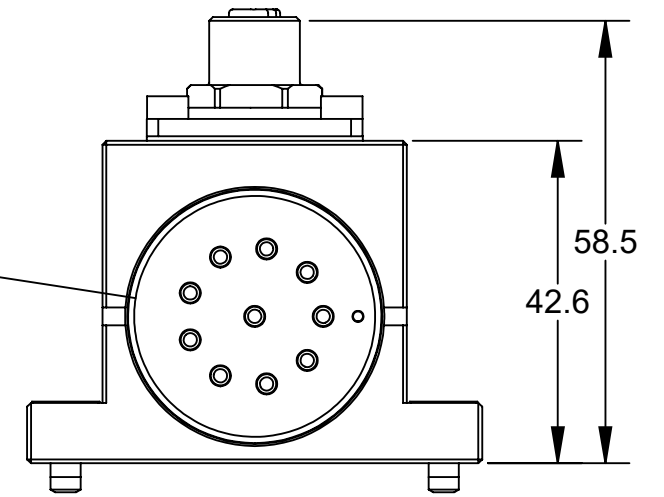


**9120-R4PD-T
Tool Module**

Turck M12
4 Pin Female Connector
EFKBQ-A4.400.2-0.5



**DETAIL B
ATI 10-Pin Tool Pin Block
SCALE 2 : 1**



- Note:
1. Module Electrical Rating: 4 Amp / 250 VAC.
 2. Customer approval of electrical schematic is required.
 3. Customer is to approve connector selection and orientation.
 4. See Sheet 2 for module wiring schematic.
 5. Electrical Modules are potted with DP-270 potting compound.

NOTES: UNLESS OTHERWISE SPECIFIED.

DO NOT SCALE DRAWING. ALL DIMENSIONS ARE IN MILLIMETERS.



3rd ANGLE PROJECTION



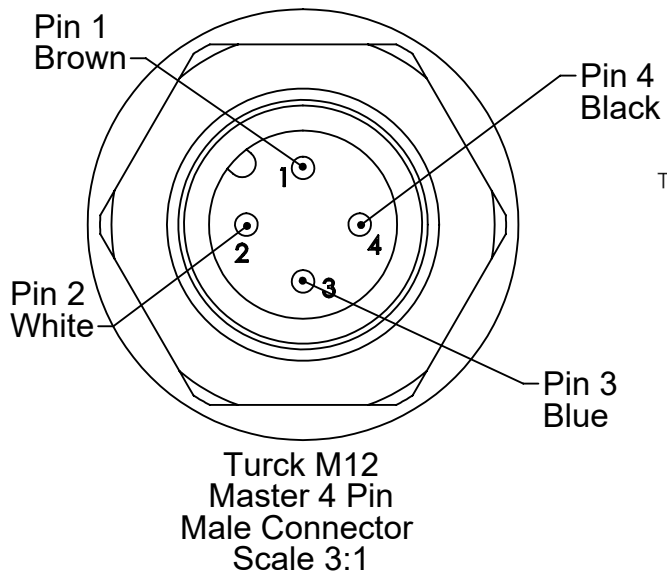
1031 Goodworth Drive, Apex, NC 27539, USA
Tel: +1.919.772.0115 Email: info@ati-ia.com
Fax: +1.919.772.8259 www.ati-ia.com
ISO 9001 Registered Company

PROPERTY OF ATI INDUSTRIAL AUTOMATION, INC. NOT TO BE REPRODUCED IN ANY MANNER EXCEPT ON ORDER OR WITH PRIOR WRITTEN AUTHORIZATION OF ATI.

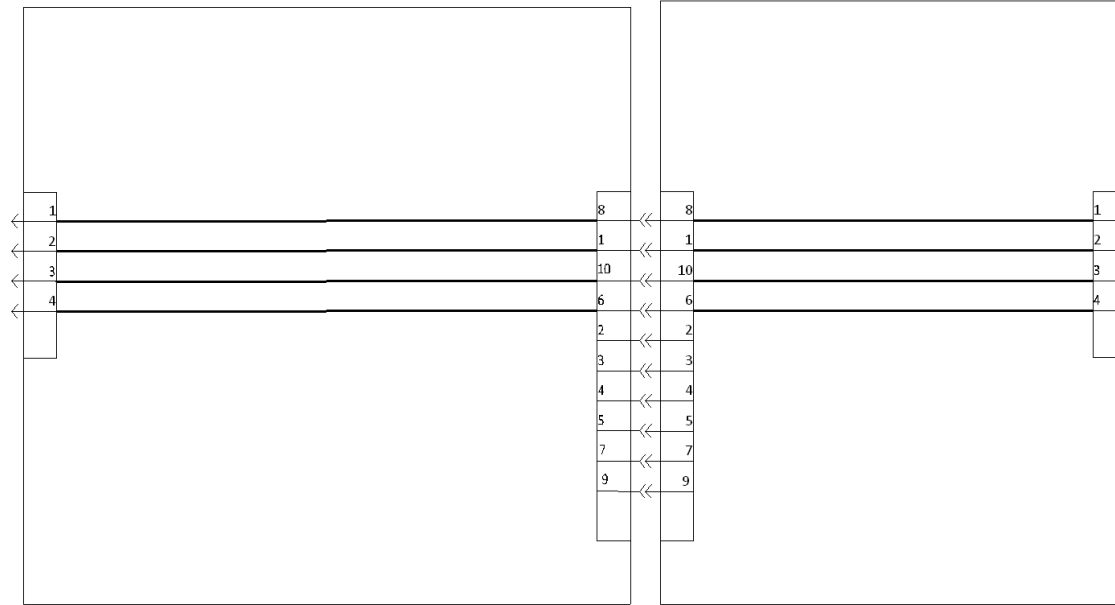
DRAWN BY: M. Hallmark, 7/31/13		TITLE R4PD Electrical Module Drawing	
CHECKED BY: P.Luczka, 7/31/13		SCALE 1:1	REVISION 04
PROJECT # 050111-1 SHEET 1 OF 2	SIZE B	DRAWING NUMBER 9630-20-R4PD	

9120-R4PD-M

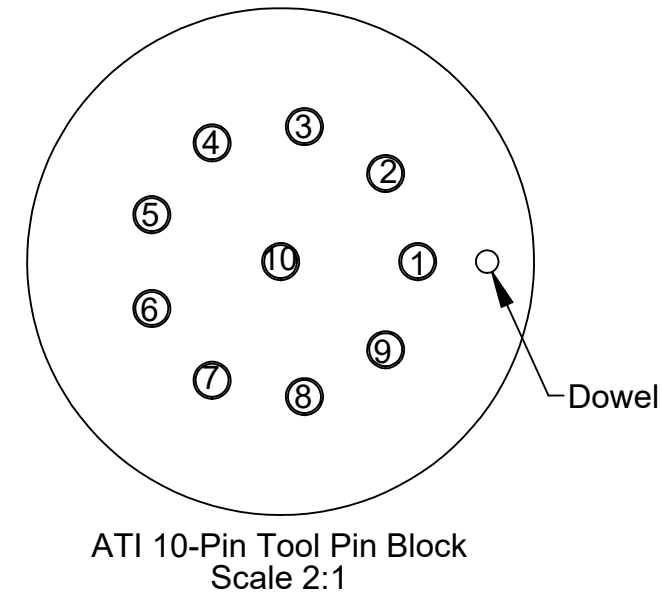
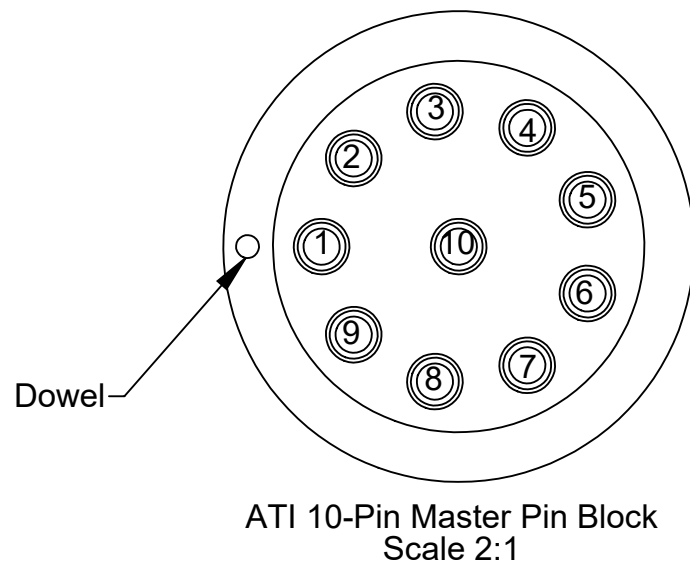
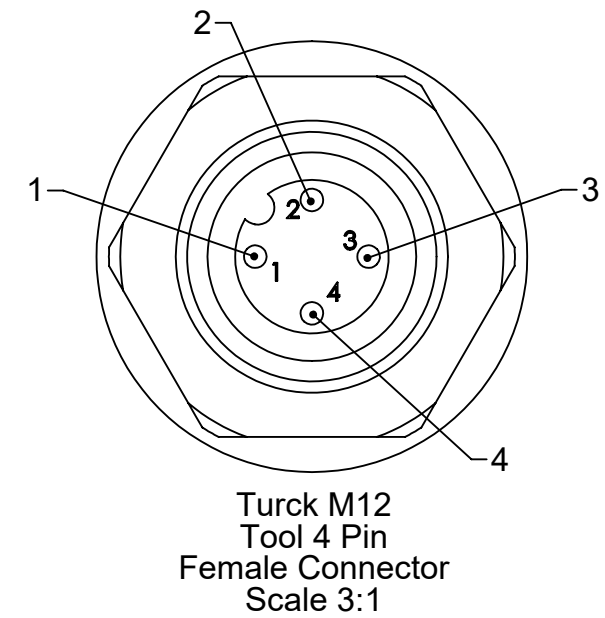
9121-R4PD-T



Turk Euro Fast Conn.
4-Pin Male
FS 4.4-0.5/18.25



Turk Euro Fast Conn.
4-Pin Female
FK 4.4-0.5/18.25



- Note:
- Pin 10 on ATI Pin Block is the First-to-Mate-Last-to-Break connection.
 - Pin 10 is recommended as ground.

NOTES: UNLESS OTHERWISE SPECIFIED.

DO NOT SCALE DRAWING. ALL DIMENSIONS ARE IN MILLIMETERS.



3rd ANGLE PROJECTION



1031 Goodworth Drive, Apex, NC 27539, USA
Tel: +1.919.772.0115 Email: info@ati-ia.com
Fax: +1.919.772.8259 www.ati-ia.com
ISO 9001 Registered Company

PROPERTY OF ATI INDUSTRIAL AUTOMATION, INC. NOT TO BE REPRODUCED IN ANY MANNER EXCEPT ON ORDER OR WITH PRIOR WRITTEN AUTHORIZATION OF ATI.

DRAWN BY: M. Hallmark, 7/31/13		TITLE R4PD Electrical Module Drawing		
CHECKED BY: P.Luczka, 7/31/13		SCALE 1:1	SIZE B	DRAWING NUMBER 9630-20-R4PD
PROJECT # 050111-1 SHEET 2 OF 2		REVISION 04		