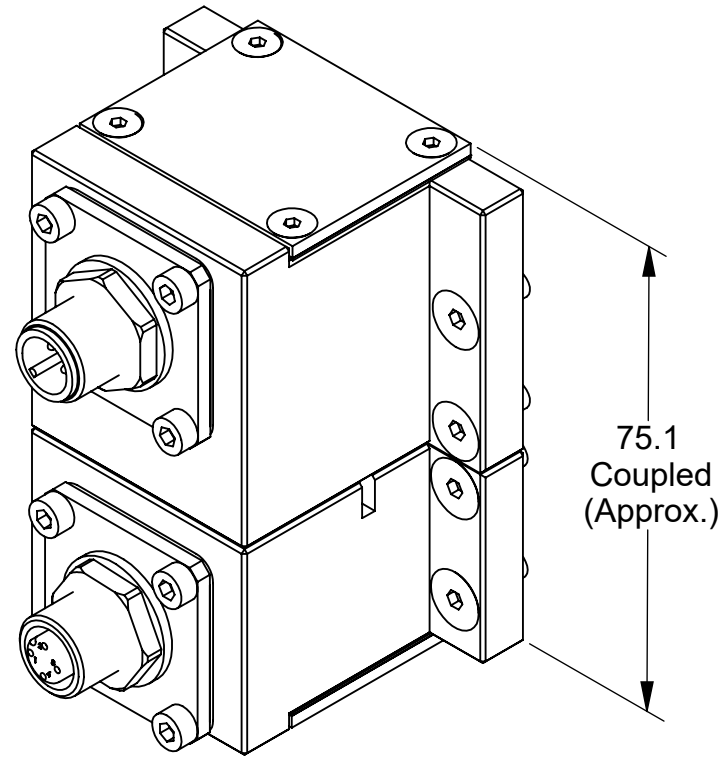
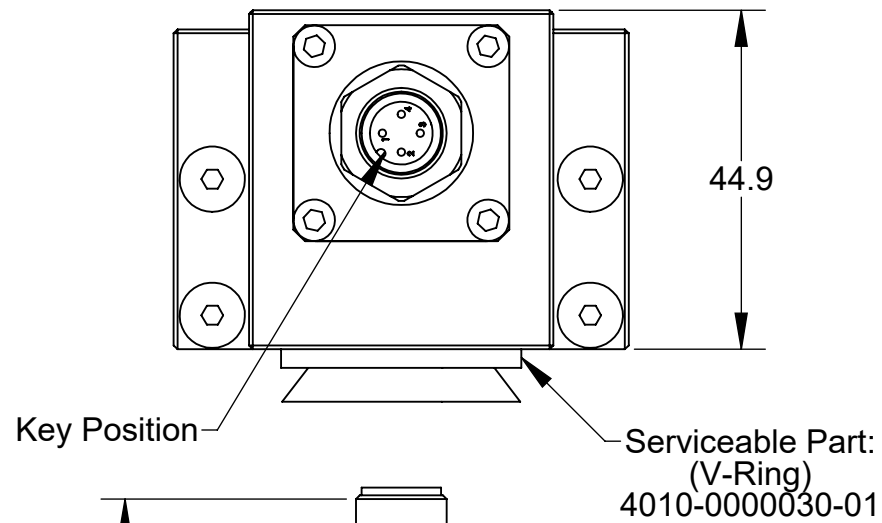


" DANGER!" - Electrical Shock Hazard

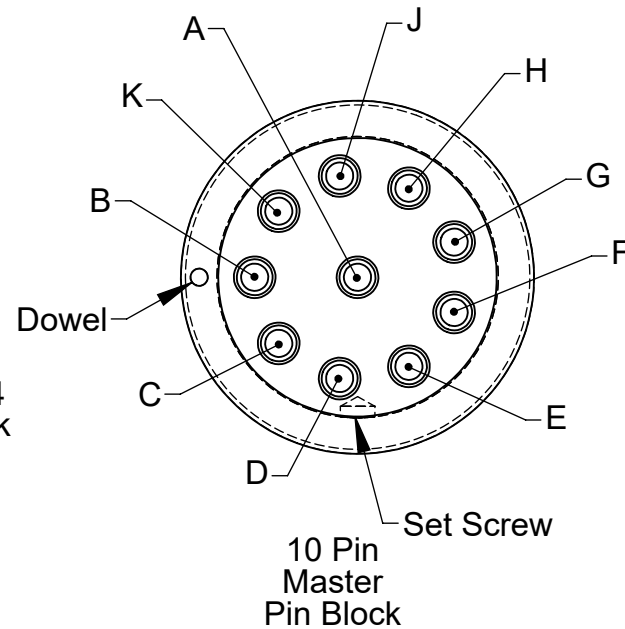
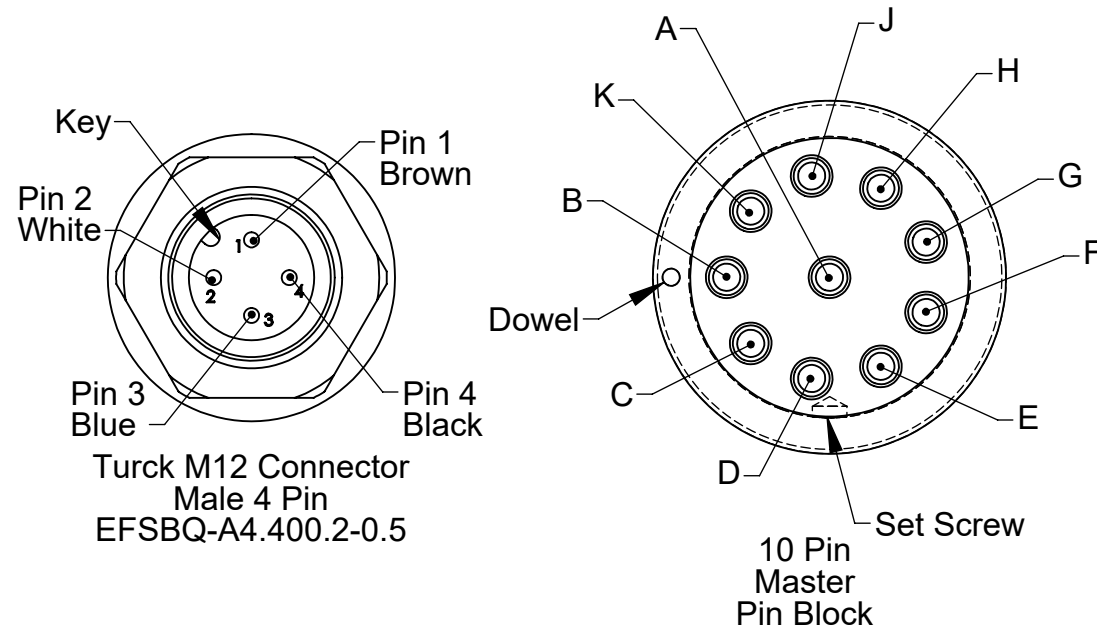
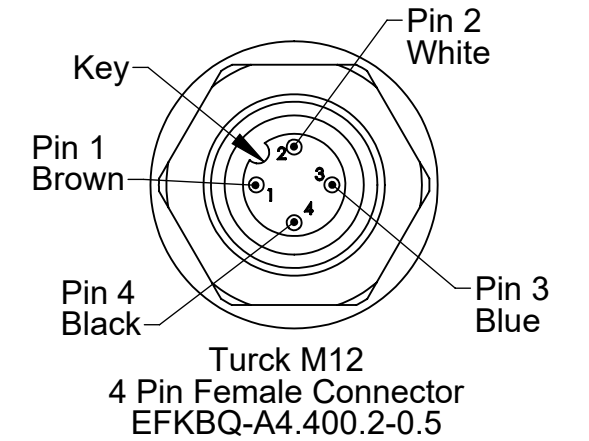
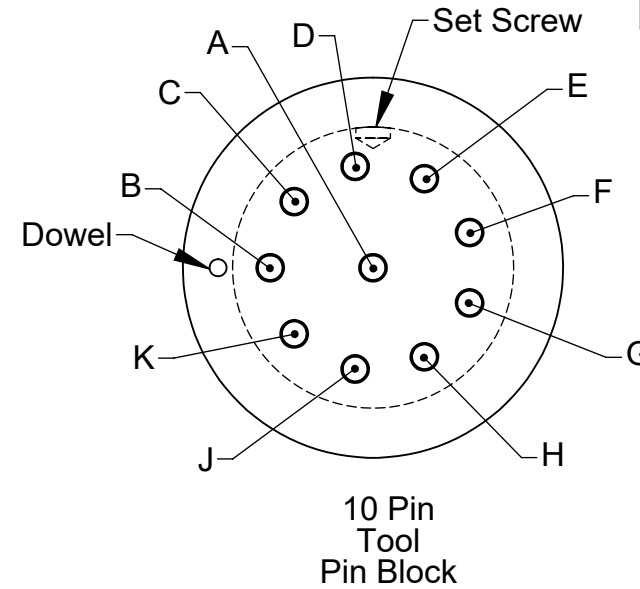
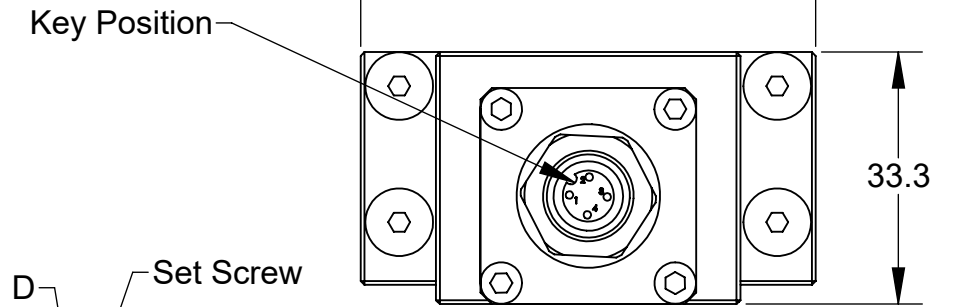
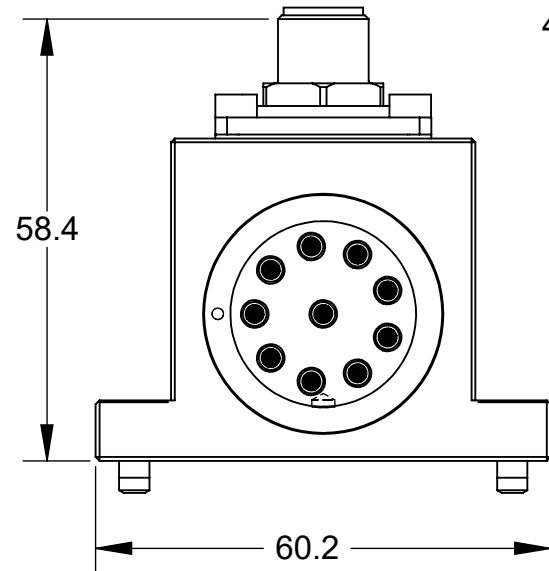
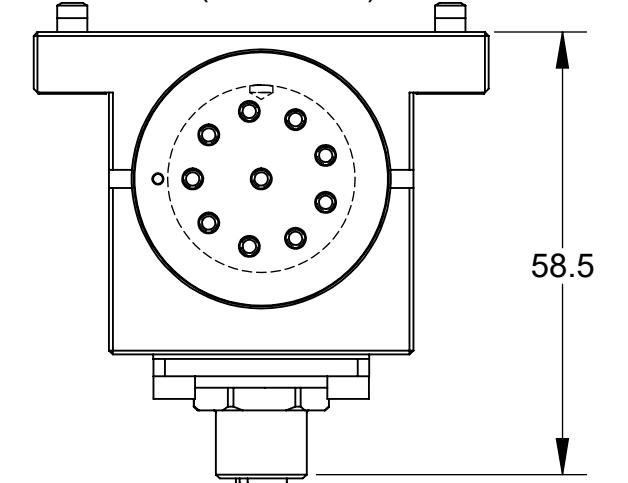
This module has a Voltage of 50V or greater, NO contact should be attempted before removing power. This especially includes separation or insertion of the mating connectors or any contact with the tool changer or its components."

Rev.	Description	Initiator	Date
03	ECO 18996: Replaced 1510-1313004-04 with 1510-1313035-04 and 1510-2313001-04 with 1510-2313035-04.	NWB	6/9/2020

R4 Master Module
(9120-R4-M)

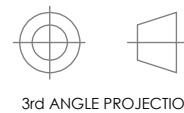


R4 Tool Module
(9120-R4-T)



NOTES: UNLESS OTHERWISE SPECIFIED.

DO NOT SCALE DRAWING. ALL DIMENSIONS ARE IN MILLIMETERS.



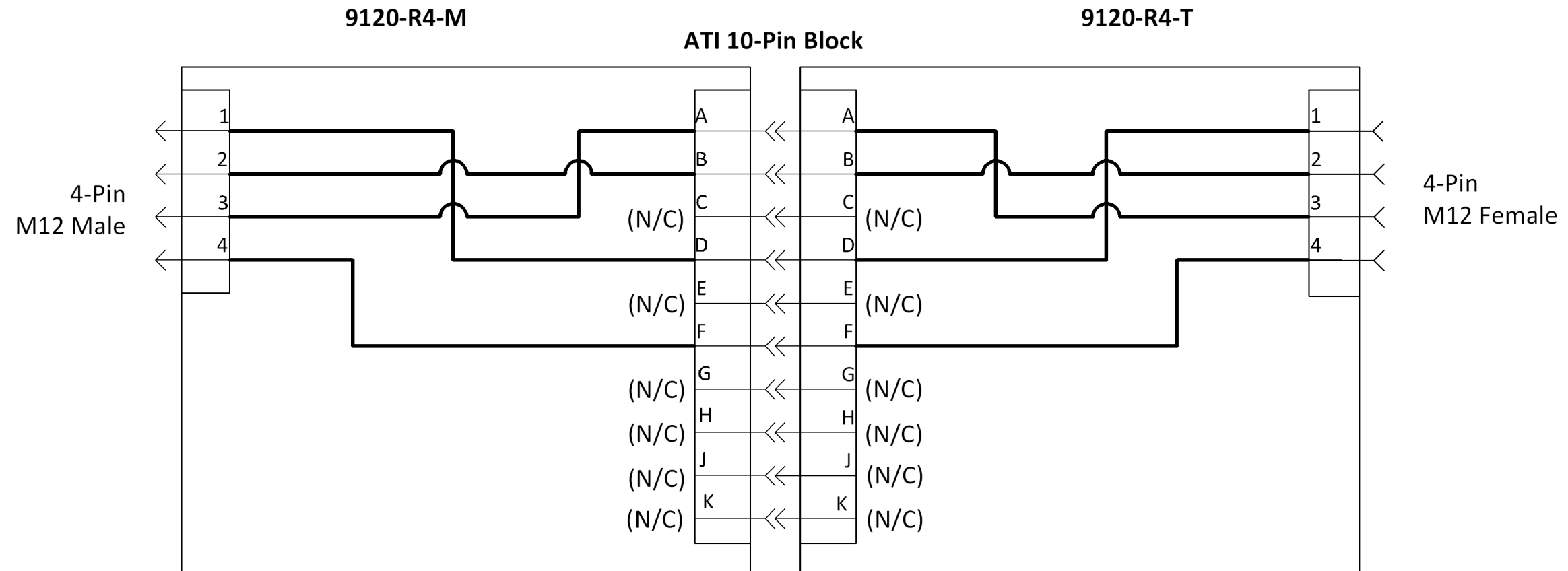
3rd ANGLE PROJECTION



1031 Goodworth Drive, Apex, NC 27539, USA
Tel: +1.919.772.0115 www.ati-ia.com
Fax: +1.919.772.8259 ISO 9001 Registered Company

PROPERTY OF ATI INDUSTRIAL AUTOMATION, INC. NOT TO BE REPRODUCED IN ANY MANNER EXCEPT ON ORDER OR WITH PRIOR WRITTEN AUTHORIZATION OF ATI.

DRAWN BY: B. Digeso, 1/13/05		TITLE	
CHECKED BY: R. Heavner, 1/13/05		R4 Electrical Module Drawing	
PROJECT # 050111-1	SHEET 1 OF 2	SCALE 1:1	SIZE B
DRAWING NUMBER 9630-20-R4		REVISION 03	



NOTES: UNLESS OTHERWISE SPECIFIED.

DO NOT SCALE DRAWING. ALL DIMENSIONS ARE IN MILLIMETERS.



1031 Goodworth Drive, Apex, NC 27539, USA
 Tel: +1.919.772.0115 www.ati-ia.com
 Fax: +1.919.772.8259 ISO 9001 Registered Company

PROPERTY OF ATI INDUSTRIAL AUTOMATION, INC. NOT TO BE REPRODUCED IN ANY MANNER EXCEPT ON ORDER OR WITH PRIOR WRITTEN AUTHORIZATION OF ATI.

DRAWN BY: B. Digeso, 1/13/05		TITLE		
CHECKED BY: R. Heavner, 1/13/05		R4 Electrical Module Drawing		
PROJECT # 050111-1	SHEET 2 OF 2	SCALE	SIZE	DRAWING NUMBER
		1:1	B	9630-20-R4
				REVISION
				03