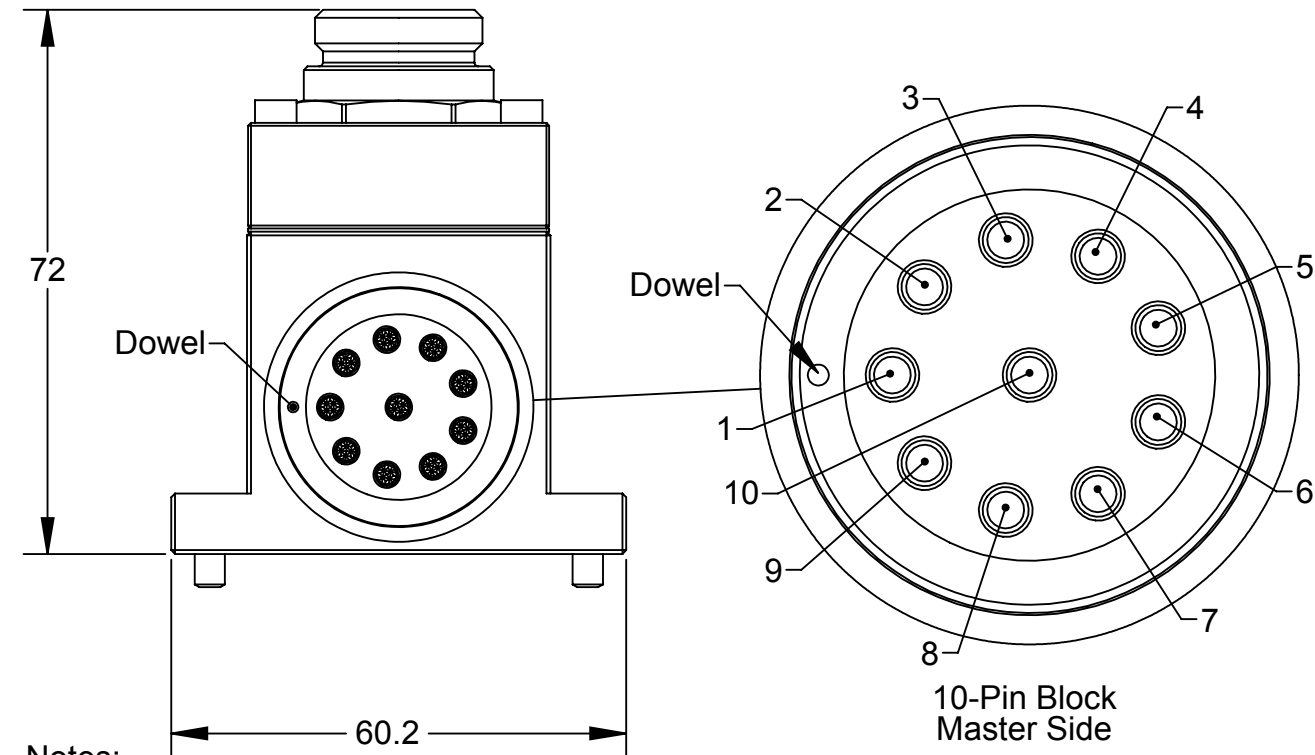
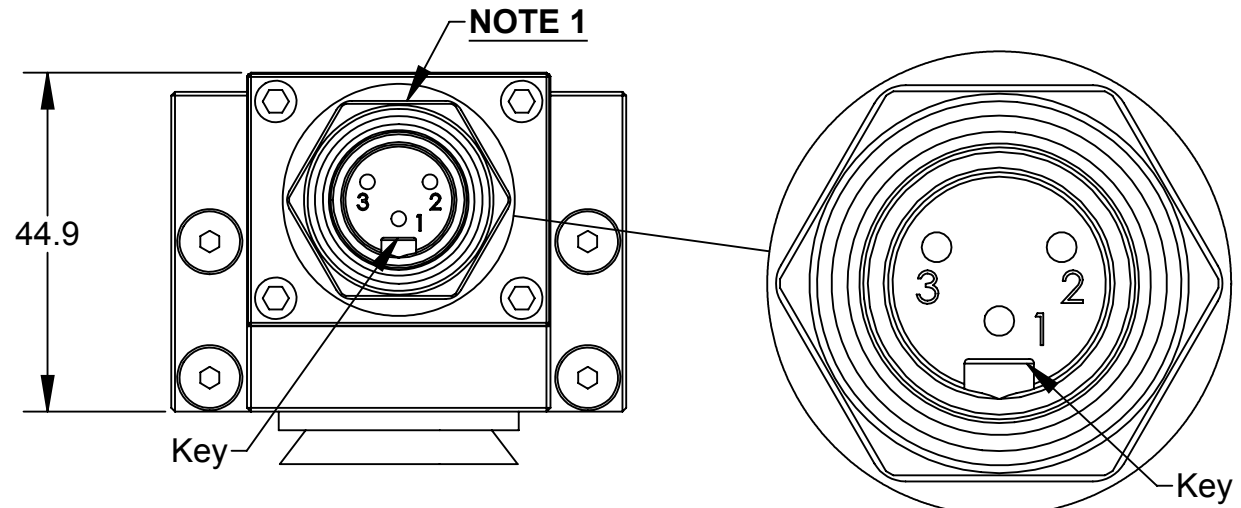


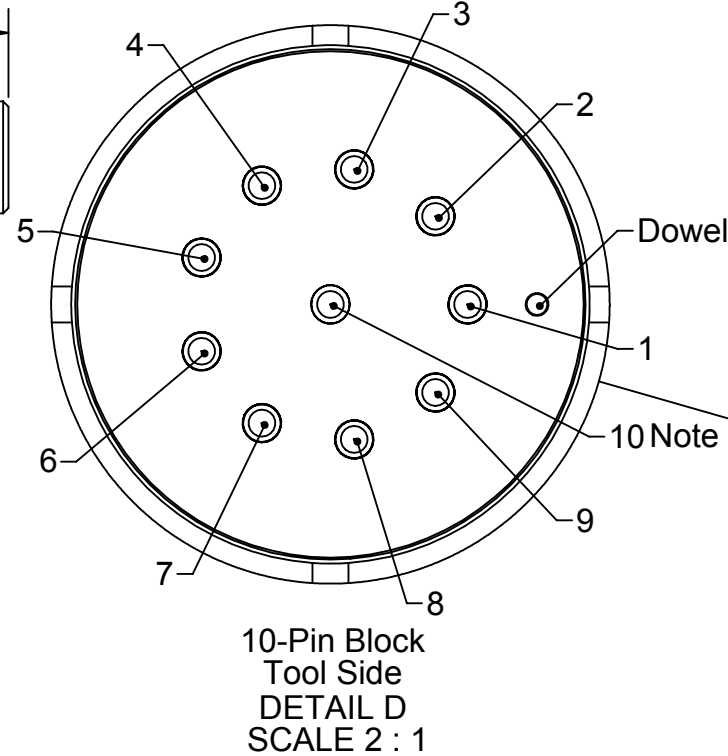
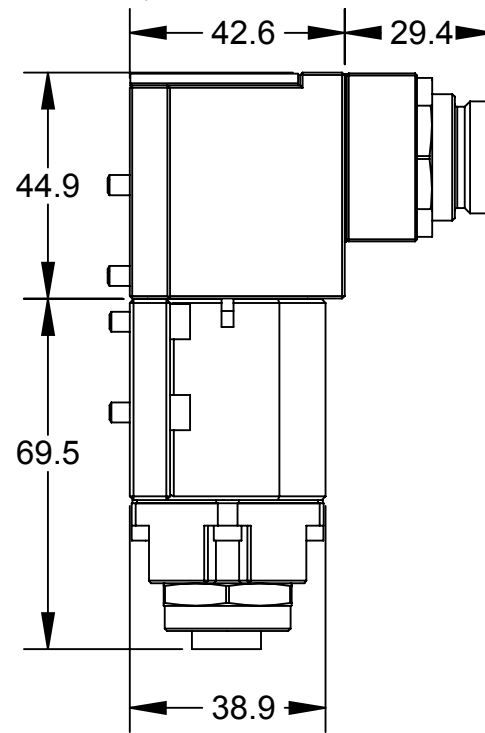
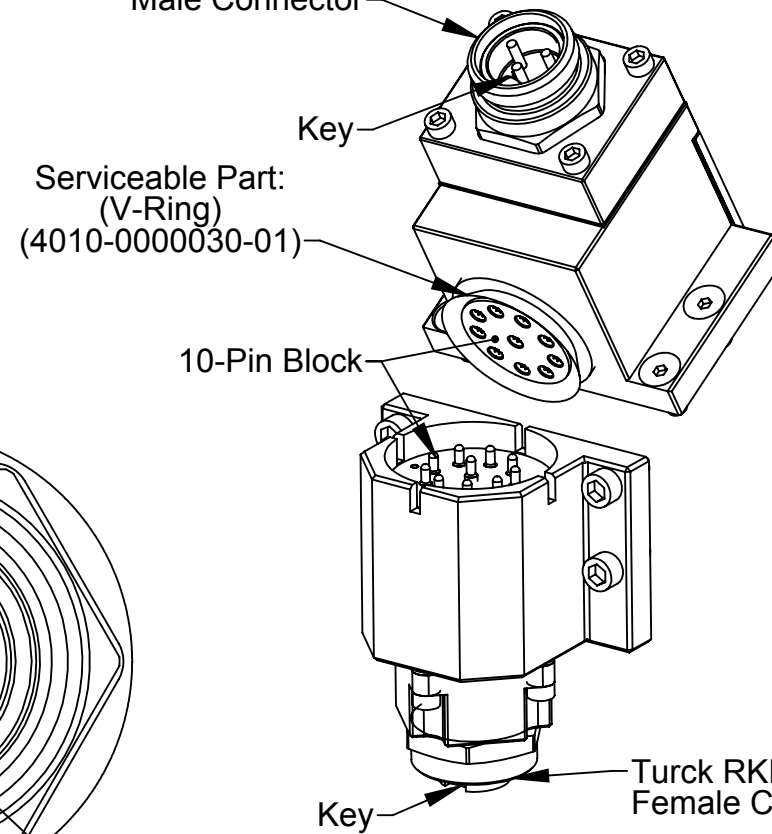
Rev.	Description	Initiator	Date
01P	Initial Design	AP	8/18/2011
02	Project Release	AP	5/8/2013

9120-R3 MASTER MODULE

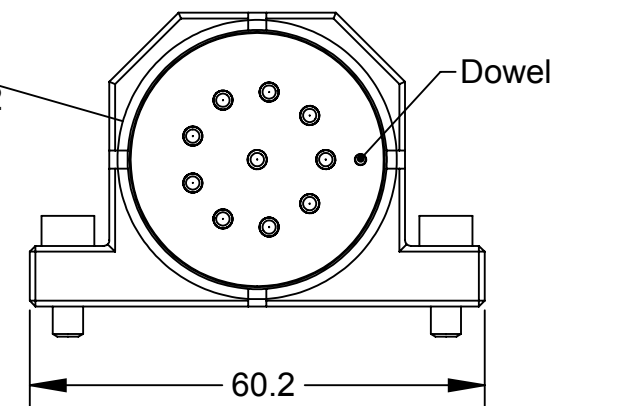
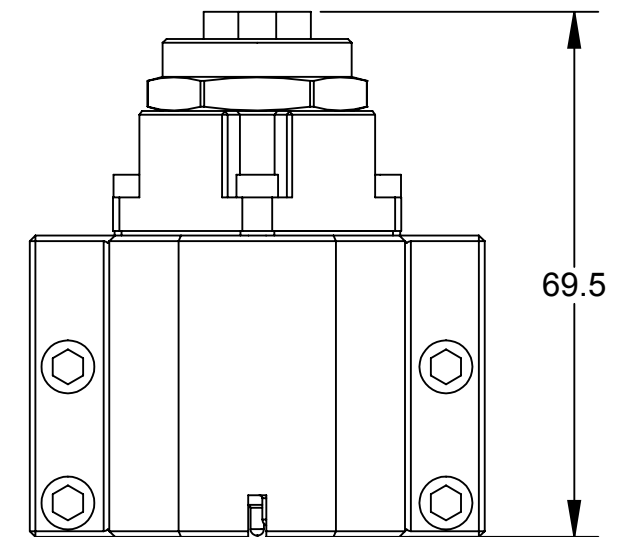
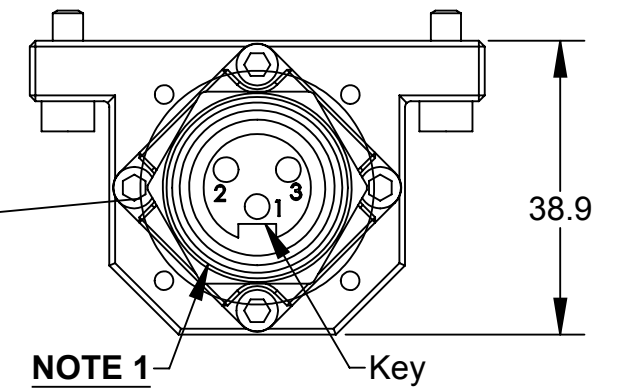


- Notes:
1. Connector orientation is not guaranteed.
 2. Pin-10 is first to mate and last to brake contact.
 3. Rating: 5A / 250VAC

Turck RSFL36-U5229-10 Male Connector



9120-S3 TOOL MODULE



NOTES: UNLESS OTHERWISE SPECIFIED.

DO NOT SCALE DRAWING.
ALL DIMENSIONS ARE IN MILLIMETERS.



3rd ANGLE PROJECTION

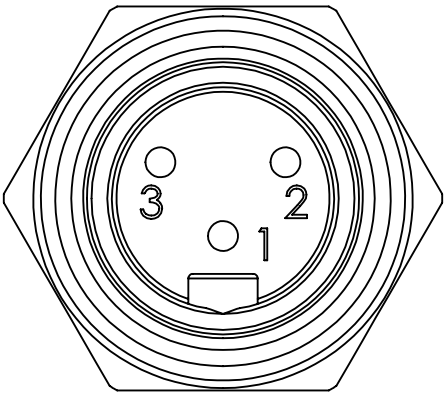


1031 Goodworth Drive, Apex, NC 27539, USA
Tel: +1.919.772.0115 Email: info@ati-ia.com
Fax: +1.919.772.8259 www.ati-ia.com
ISO 9001 Registered Company

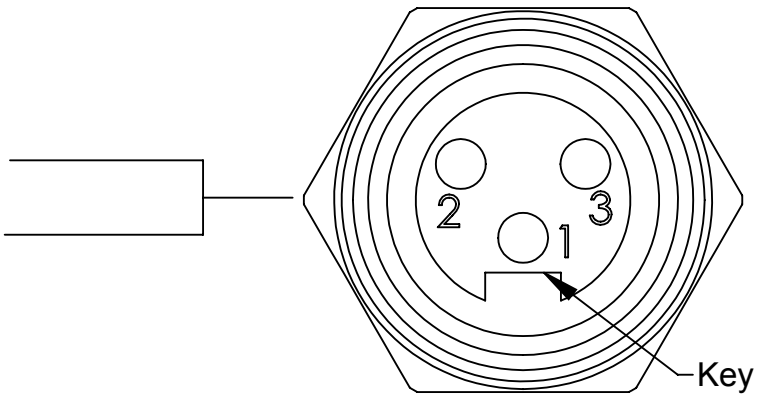
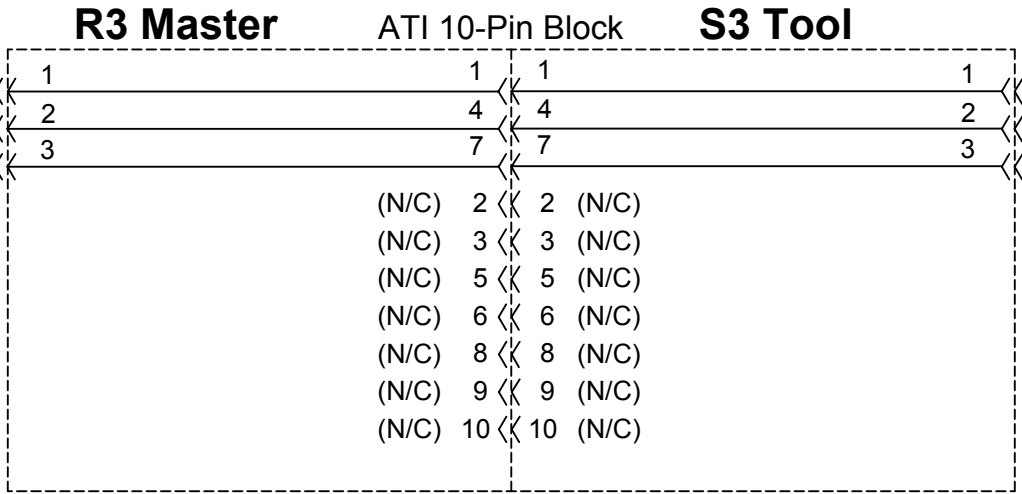
PROPERTY OF ATI INDUSTRIAL AUTOMATION, INC. NOT TO BE REPRODUCED IN ANY MANNER EXCEPT ON ORDER OR WITH PRIOR WRITTEN AUTHORIZATION OF ATI.

DRAWN BY: A Pongor 08/18/11		TITLE	
CHECKED BY: P Luczka 08/22/11		R3 Master S3 Tool Module Assembly, Wiring	
L Jamshid 08/24/11		SCALE	SIZE
PROJECT # 110705-1 SHEET 1 OF 2	1:2	B	DRAWING NUMBER
			9630-20-R3M S3T
			REVISION
			02

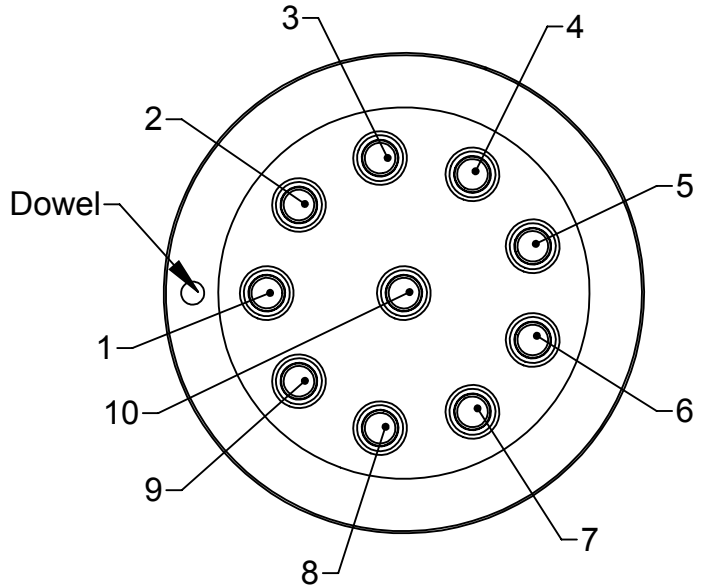
Rev.	Description	Initiator	Date
-	See Sheet1	-	-



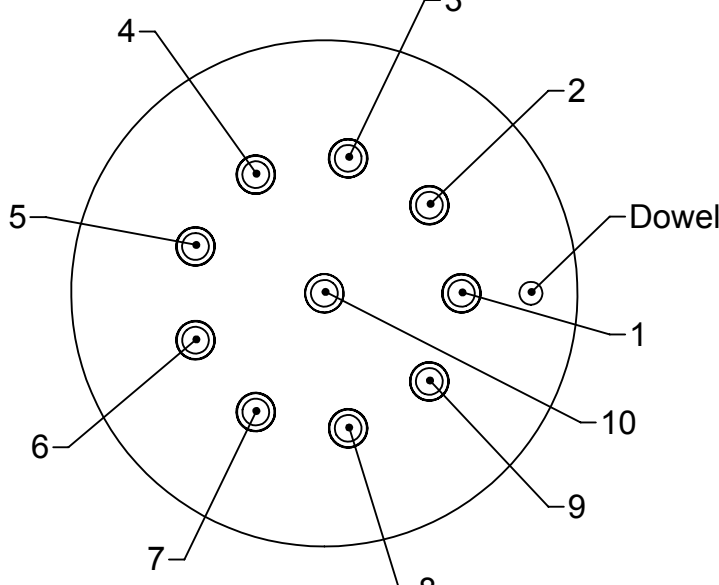
Turck RSFL36-U5229-10
Male Connector
SCALE 2:1



Turck RKFL36-U5515-10
Female Connector
SCALE 2:1



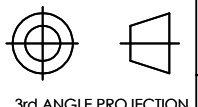
10-Pin Block
Master Side
SCALE 2:1



10-Pin Block
Tool Side
SCALE 2:1

NOTES: UNLESS OTHERWISE SPECIFIED.

DO NOT SCALE DRAWING. ALL DIMENSIONS ARE IN MILLIMETERS.



3rd ANGLE PROJECTION



1031 Goodworth Drive, Apex, NC 27539, USA
Tel: +1.919.772.0115 Email: info@ati-ia.com
Fax: +1.919.772.8259 www.ati-ia.com
ISO 9001 Registered Company

PROPERTY OF ATI INDUSTRIAL AUTOMATION, INC. NOT TO BE REPRODUCED IN ANY MANNER EXCEPT ON ORDER OR WITH PRIOR WRITTEN AUTHORIZATION OF ATI.

DRAWN BY: A Pongor 08/18/11		TITLE	
CHECKED BY: P Luczka 08/22/11 L Jamshid 08/24/11		R3 Master S3 Tool Module Assembly, Wiring	
PROJECT # 110705-1	SHEET 2 OF 2	SCALE 1:1	SIZE B
DRAWING NUMBER 9630-20-R3M S3T		REVISION 02	