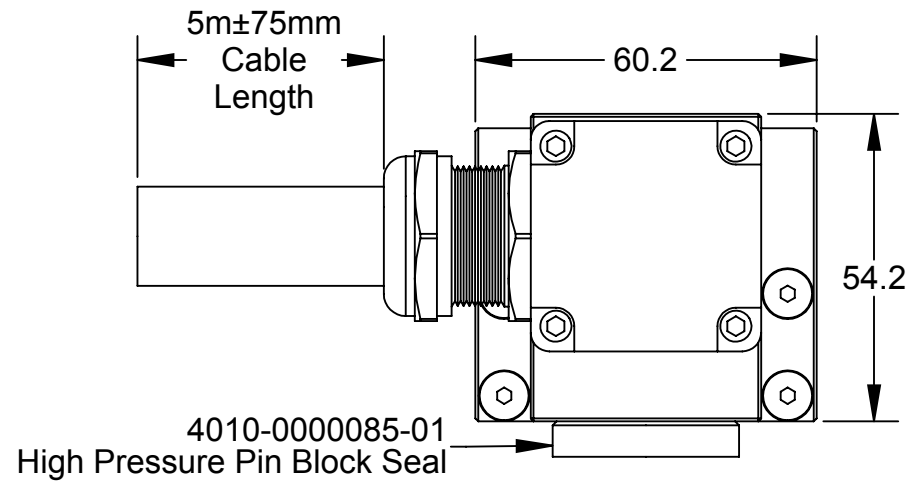
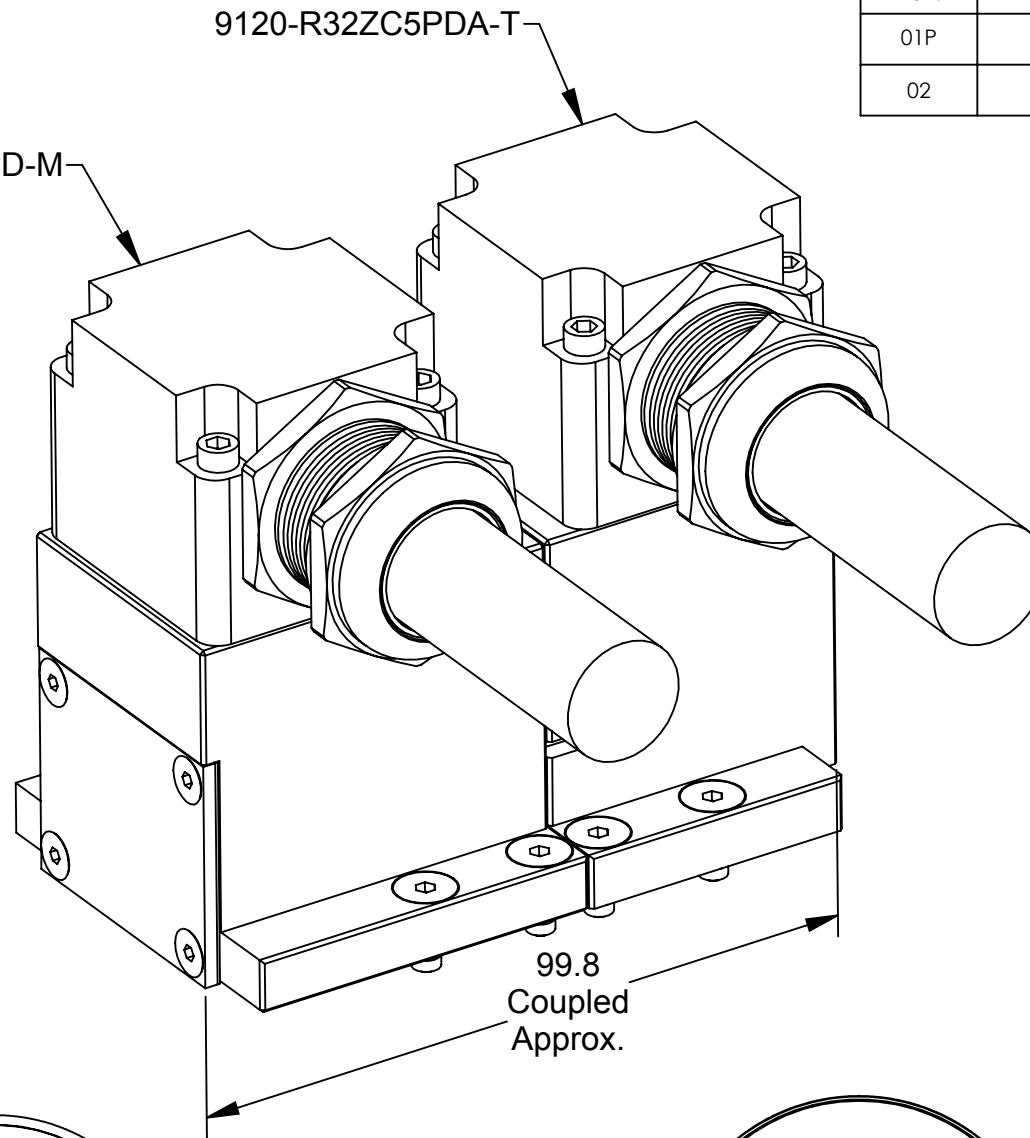


Rev.	Description	Initiator	Date
01P	Initial Design.	AAT	09/03/2015
02	Production Release.	AAT	09/08/2015

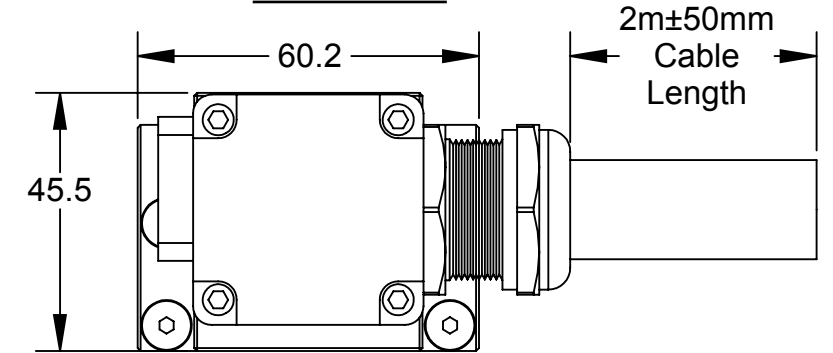
**9120-R32ZC5PD-M
Master Module**



9120-R32ZC5PD-M

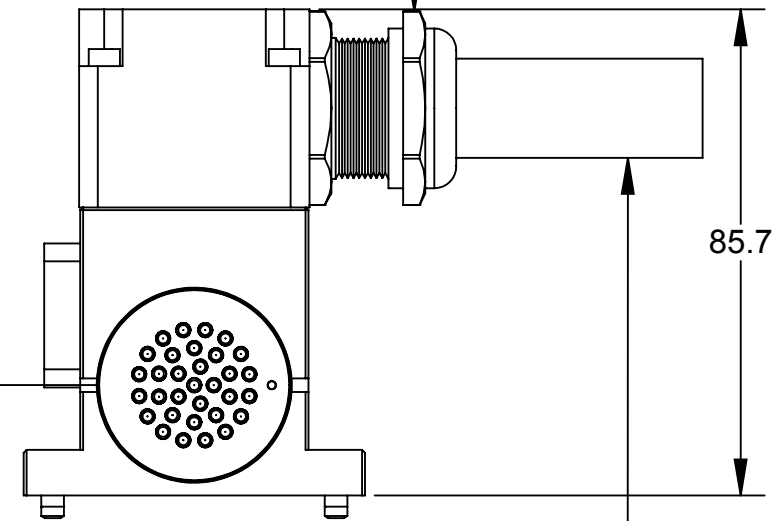
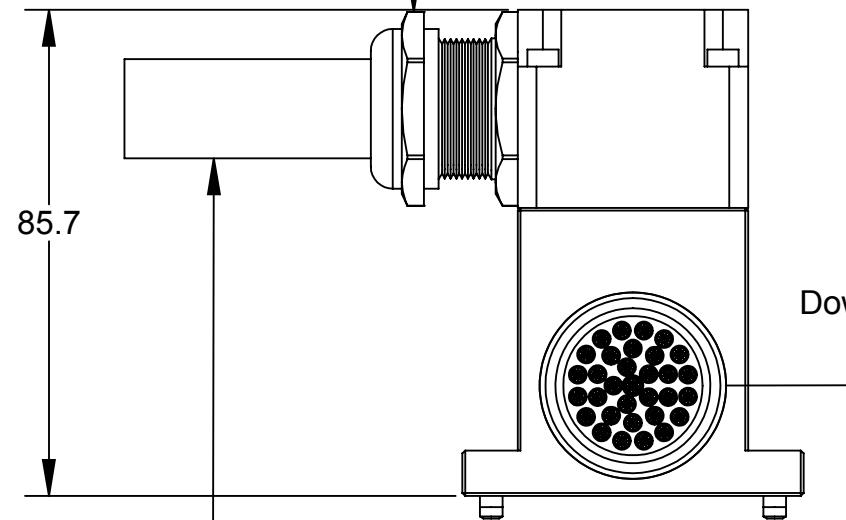


**9120-R32ZC5PDA-T
Tool Module**

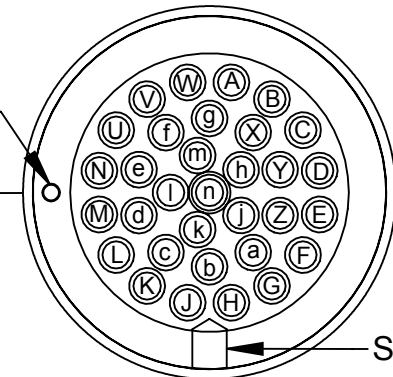


Hummel HSK-EMV-1.691.2500.50
M25x1.5 Thread Cord Grip,
13-18mm Cable Range

Hummel HSK-EMV-1.691.2500.50
M25x1.5 Thread Cord Grip,
13-18mm Cable Range

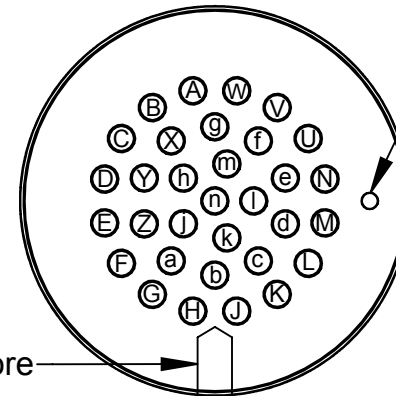


Dowel Pin



DETAIL A
SCALE 3 : 2
32-Pin Master Pin Block

Dowel Pin



DETAIL B
SCALE 3 : 2
32-Pin Tool Pin Block

Set Screw Bore

Set Screw Bore

NOTES: UNLESS OTHERWISE SPECIFIED.

DO NOT SCALE DRAWING.
ALL DIMENSIONS ARE IN MILLIMETERS.



1031 Goodworth Drive, Apex, NC 27539, USA
Tel: +1.919.772.0115 Email: info@ati-ia.com
Fax: +1.919.772.8259 www.ati-ia.com
ISO 9001 Registered Company

PROPERTY OF ATI INDUSTRIAL AUTOMATION, INC. NOT TO BE REPRODUCED IN ANY MANNER EXCEPT ON ORDER OR WITH PRIOR WRITTEN AUTHORIZATION OF ATI.

Notes:

- The R32ZC5PD Master and R32ZC5PDA Tool are rated to 3A / 300V.
- Customer is to approve electrical schematic on Sheet 2 of this drawing.
- Customer is to approve cable selection on Sheet 1 of this drawing.
- The R32ZC5PD Master is potted.
- The R32ZC5PDA Tool is potted.



3rd ANGLE PROJECTION

DRAWN BY: A. Takla, 08/28/15

CHECKED BY: W. Berrocal, 09/01/15

L. Jamshidi, 09/02/15

PROJECT # 150826-4 SHEET 1 OF 2

TITLE

R32ZC5PD Master Module and R32ZC5PDA Tool Module
Customer Drawing

SCALE
1:2

SIZE
B

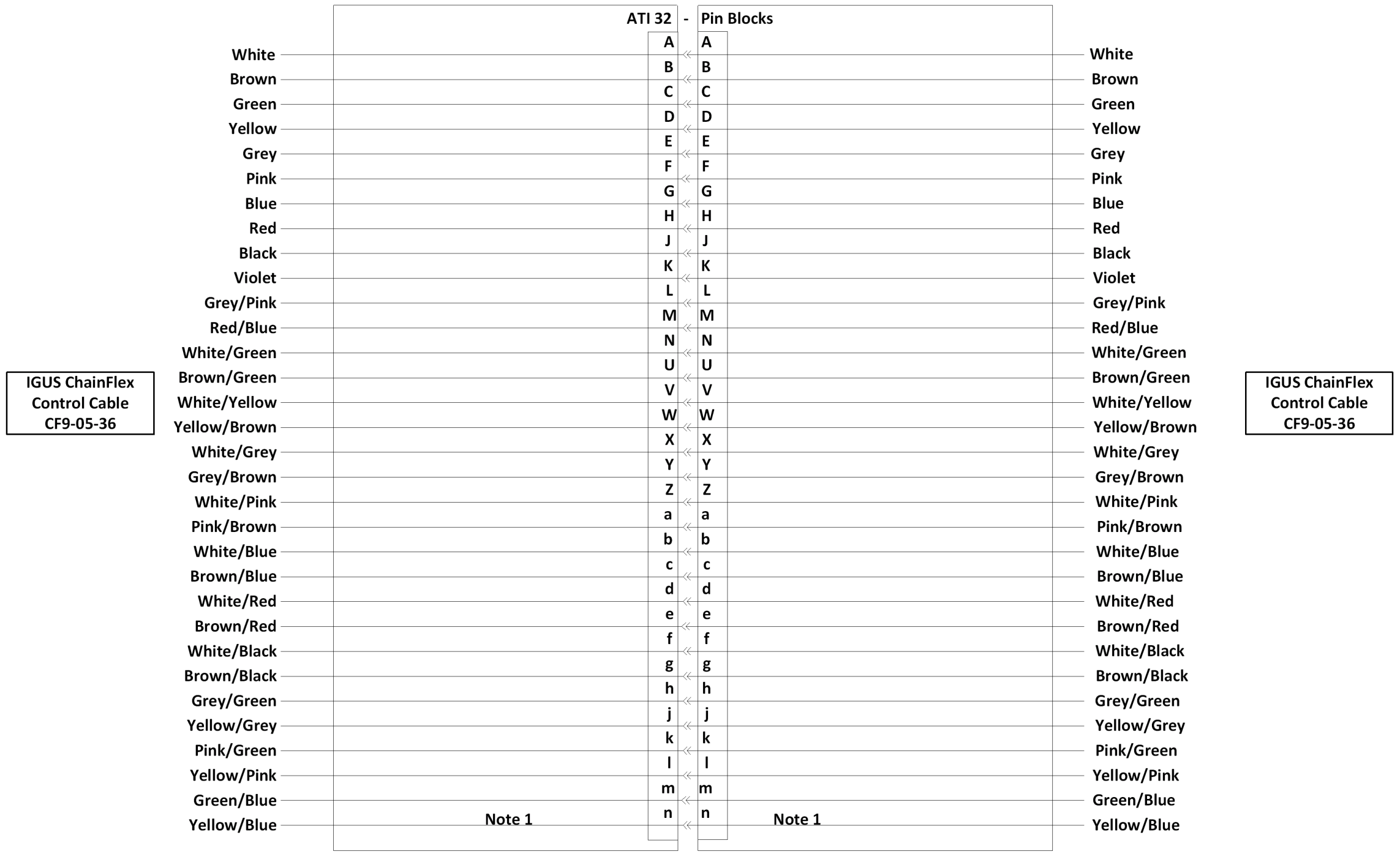
DRAWING NUMBER
9630-20-R32ZC5PDM R32ZC5PDAT

REVISION
02



Rev.	Description	Initiator	Date
-	See Sheet1	-	-

9120-R32ZC5PD-M Module

9120-R32ZC5PDA-T Module



Notes:
1. Pin "n" of the ATI pin block is First-To-Mate and Last-To-Break contact, this pin is recommended for use as ground.

<p>NOTES: UNLESS OTHERWISE SPECIFIED.</p> <p>DO NOT SCALE DRAWING. ALL DIMENSIONS ARE IN MILLIMETERS.</p>		<p>1031 Goodworth Drive, Apex, NC 27539, USA Tel: +1.919.772.0115 Email: info@ati-ia.com Fax: +1.919.772.8259 www.ati-ia.com ISO 9001 Registered Company</p> <p style="font-size: small;">PROPERTY OF ATI INDUSTRIAL AUTOMATION, INC. NOT TO BE REPRODUCED IN ANY MANNER EXCEPT ON ORDER OR WITH PRIOR WRITTEN AUTHORIZATION OF ATI.</p>								
 <p>3rd ANGLE PROJECTION</p>	<p>DRAWN BY: A. Takla, 08/28/15</p> <p>CHECKED BY: W. Berrocal, 09/01/15 L. Jamshidi, 09/02/15</p> <p>PROJECT # 150826-4 SHEET 2 OF 2</p>	<p>TITLE R32ZC5PD Master Module and R32ZC5PDA Tool Module Customer Drawing</p> <table border="1" style="width: 100%; font-size: x-small;"> <tr> <th>SCALE</th> <th>SIZE</th> <th>DRAWING NUMBER</th> <th>REVISION</th> </tr> <tr> <td>1:2</td> <td>B</td> <td>9630-20-R32ZC5PDM R32ZC5PDAT</td> <td>02</td> </tr> </table>	SCALE	SIZE	DRAWING NUMBER	REVISION	1:2	B	9630-20-R32ZC5PDM R32ZC5PDAT	02
SCALE	SIZE	DRAWING NUMBER	REVISION							
1:2	B	9630-20-R32ZC5PDM R32ZC5PDAT	02							