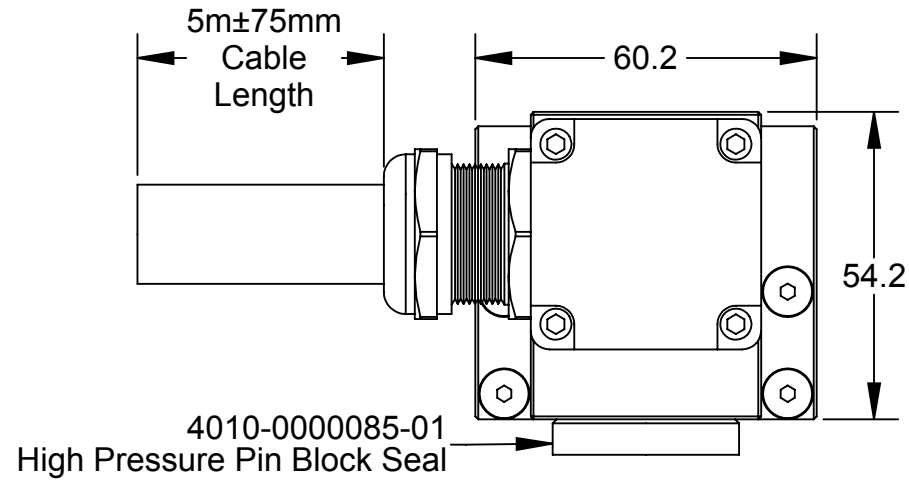
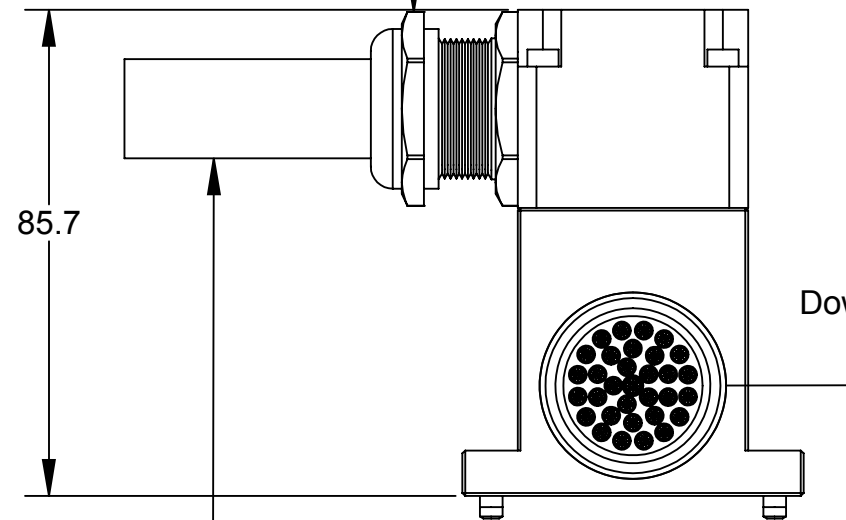


Rev.	Description	Initiator	Date
04	ECO 13952; Tool Module Housing 3700-20-4700 was 3700-20-2244	SZJ	11/23/2015

**9120-R32ZC5PD-M
Master Module**

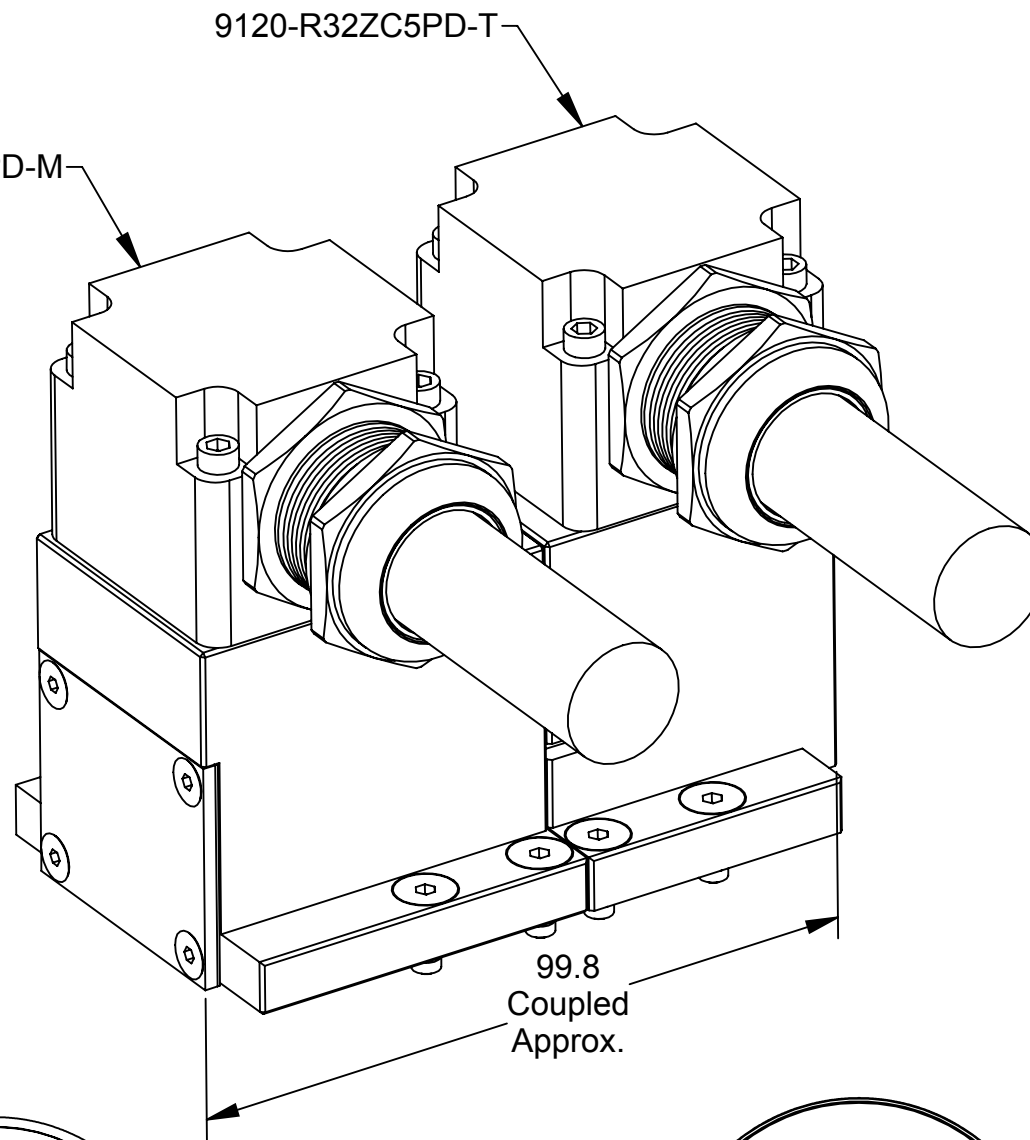


Hummel HSK-EMV-1.691.2500.50
M25x1.5 Thread Cord Grip,
13-18mm Cable Range

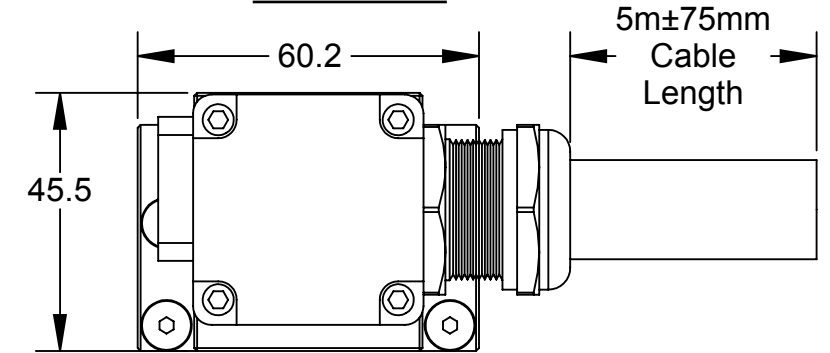


IGUS Chainflex Control Cable, CF9-05-36
36 Conductors, 20AWG

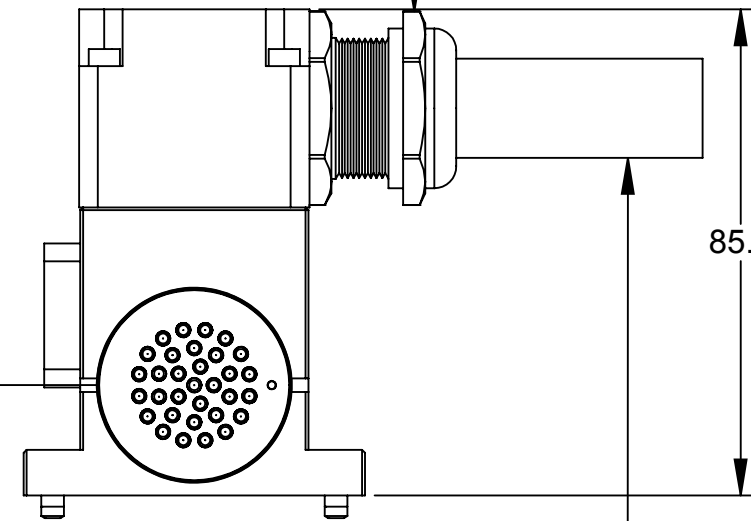
9120-R32ZC5PD-M



**9120-R32ZC5PD-T
Tool Module**

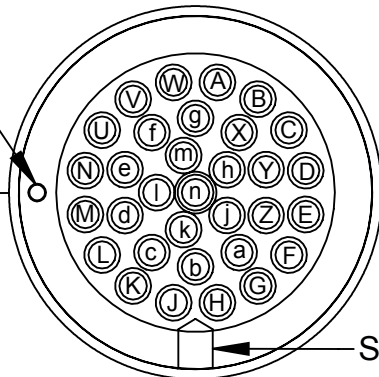


Hummel HSK-EMV-1.691.2500.50
M25x1.5 Thread Cord Grip,
13-18mm Cable Range



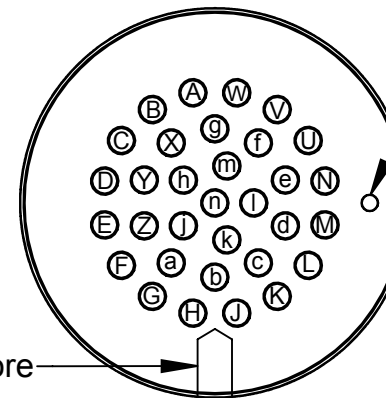
IGUS Chainflex Control Cable, CF9-05-36
36 Conductors, 20AWG

Dowel Pin



DETAIL A
SCALE 3 : 2
32-Pin Master Pin Block

Dowel Pin



DETAIL B
SCALE 3 : 2
32-Pin Tool Pin Block

NOTES: UNLESS OTHERWISE SPECIFIED.

DO NOT SCALE DRAWING.
ALL DIMENSIONS ARE IN MILLIMETERS.



1031 Goodworth Drive, Apex, NC 27539, USA
Tel: +1.919.772.0115 Email: info@ati-ia.com
Fax: +1.919.772.8259 www.ati-ia.com
ISO 9001 Registered Company

PROPERTY OF ATI INDUSTRIAL AUTOMATION, INC. NOT TO BE REPRODUCED IN ANY MANNER EXCEPT ON ORDER OR WITH PRIOR WRITTEN AUTHORIZATION OF ATI.

Notes:

- The R32ZC5PD Master and Tool Modules are rated to 3A / 300V.
- Customer is to approve electrical schematic on Sheet 2 of this drawing.
- Customer is to approve cable selection on Sheet 1 of this drawing.
- The R32ZC5PD Master and Tool Modules are potted.



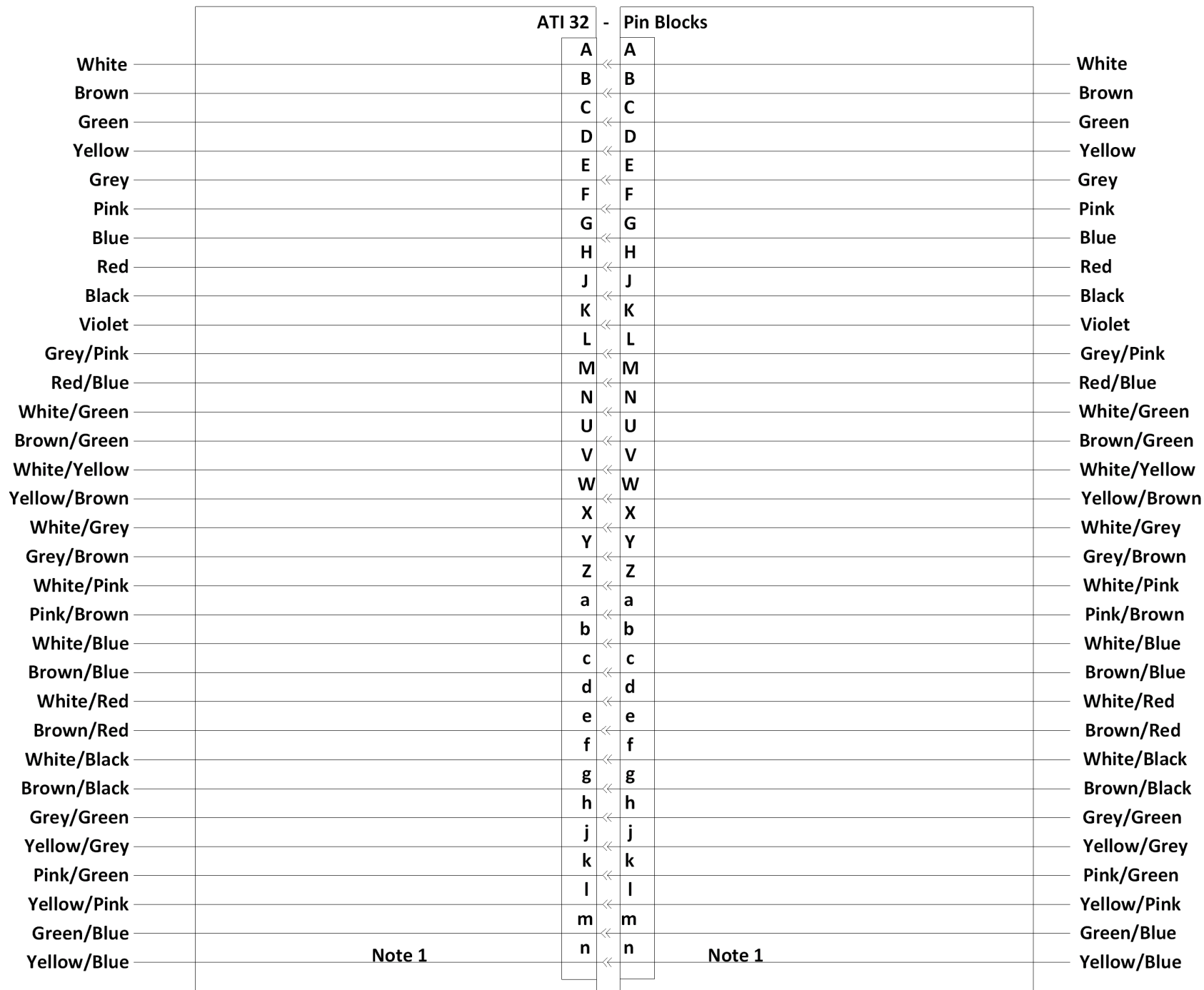
3rd ANGLE PROJECTION

DRAWN BY: A. Takla, 01/21/14		TITLE	
CHECKED BY: W. Berrocal, 01/28/14 A. Strotzer, 01/28/14		R32ZC5PD Module Customer Drawing	
PROJECT # 140110-1	SHEET 1 OF 2	SCALE 1:2	SIZE B
		DRAWING NUMBER 9630-20-R32ZC5PD	REVISION 04

Rev.	Description	Initiator	Date
-	See Sheet1	-	-

9120-R32ZC5PD-M Module

9120-R32ZC5PD-T Module



IGUS ChainFlex
Control Cable
CF9-05-36

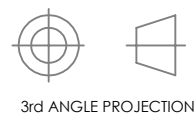
IGUS ChainFlex
Control Cable
CF9-05-36

Note 1

Note 1

NOTES: UNLESS OTHERWISE SPECIFIED.

DO NOT SCALE DRAWING. ALL DIMENSIONS ARE IN MILLIMETERS.



1031 Goodworth Drive, Apex, NC 27539, USA
Tel: +1.919.772.0115 Email: info@ati-ia.com
Fax: +1.919.772.8259 www.ati-ia.com
ISO 9001 Registered Company

PROPERTY OF ATI INDUSTRIAL AUTOMATION, INC. NOT TO BE REPRODUCED IN ANY MANNER EXCEPT ON ORDER OR WITH PRIOR WRITTEN AUTHORIZATION OF ATI.

DRAWN BY: A. Takla, 01/21/14		TITLE	
CHECKED BY: W. Berrocal, 01/28/14 A. Strotzer, 01/28/14		R32ZC5PD Module Customer Drawing	
PROJECT #	140110-1	SHEET	OF 2
SCALE	1:2	SIZE	B
DRAWING NUMBER	9630-20-R32ZC5PD		REVISION
			04

Notes:
1. Pin "n" of the ATI pin block is First-To-Mate and Last-To-Break contact, this pin is recommended for use as ground.