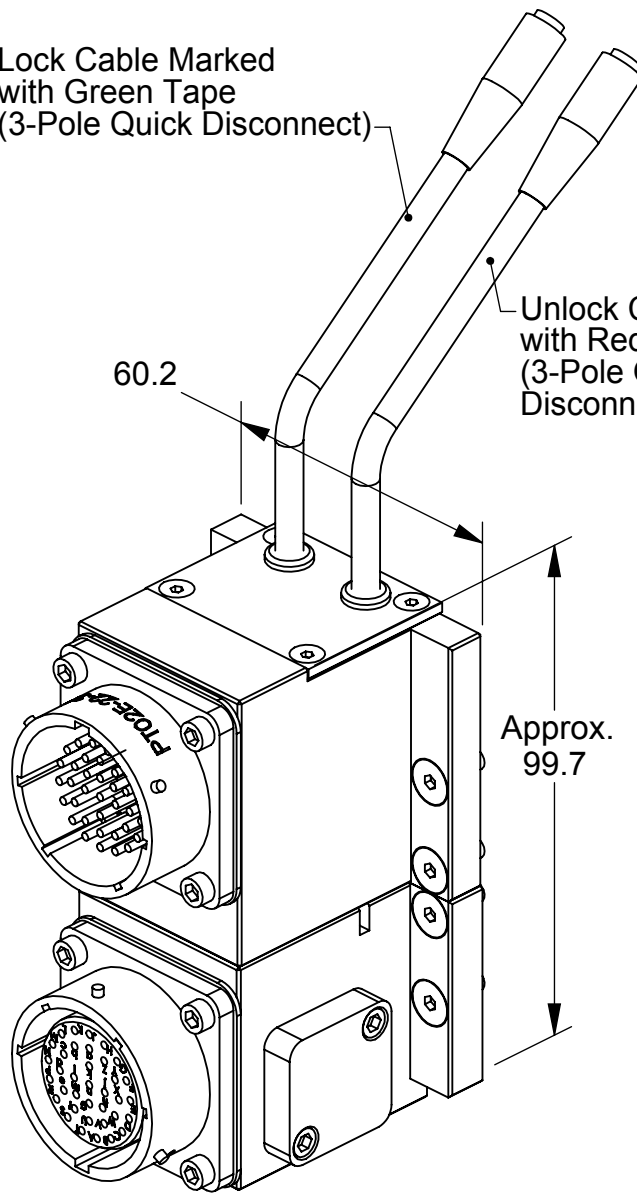


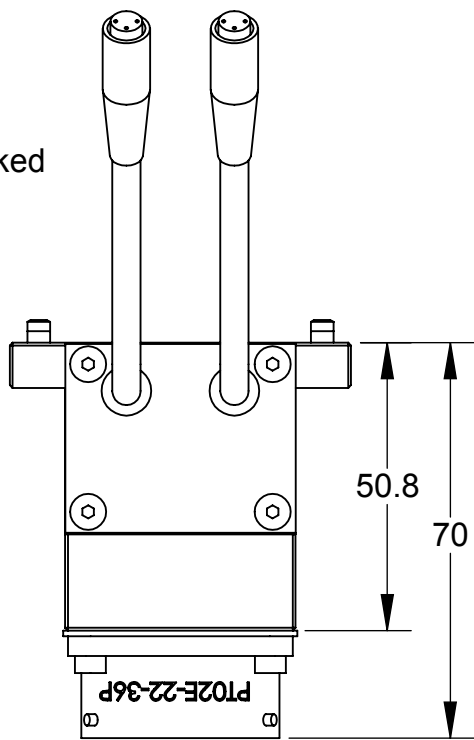
Rev.	Description	Initiator	Date
03	ECO 5942; Added "Danger! remove power" note.	CDM	12/6/2007

Lock Cable Marked with Green Tape (3-Pole Quick Disconnect)

Unlock Cable Marked with Red Tape (3-Pole Quick Disconnect)



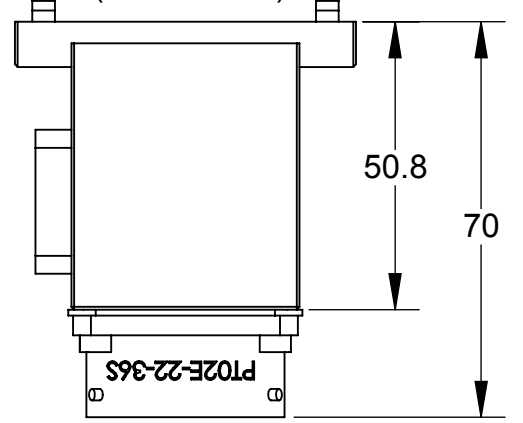
R32W Master Module (9120-R32W-M)



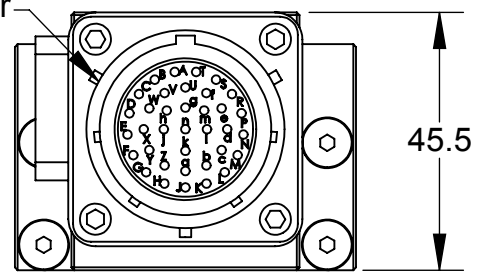
"DANGER! - For electrical modules using > 60VDC or 42 VAC, NO contact should be attempted before removing power. This especially includes separation or insertion of the mating connectors or any contact with the tool changer or its components."

R32W Master PT02E-22-36P	Pin Out	R32 Tool PT02E-22-36S
A	→	A
B	→	B
C	→	C
D	→	D
E	→	E
F	→	F
G	→	G
H	→	H
J	→	J
K	→	K
L	→	L
M	→	M
N	→	N
Lock/Unlock Cables	→	No Connect
Unlock Signal-P	→	No Connect
10-30 VDC-R	→	No Connect
0 VDC-S	→	No Connect
Lock Signal-T	→	No Connect
U	→	U
V	→	V
W	→	W
X	→	X
Y	→	Y
Z	→	Z
a	→	a
b	→	b
c	→	c
d	→	d
e	→	e
f	→	f
g	→	g
h	→	h
i	→	i
j	→	j
k	→	k
l	→	l
m	→	m
n	→	n

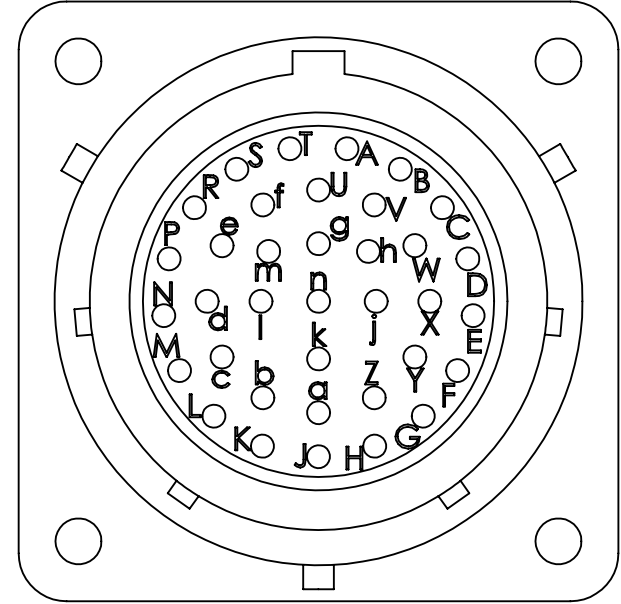
R32 Tool Module (9120-R32-T)



PT02E-22-36S Female Connector

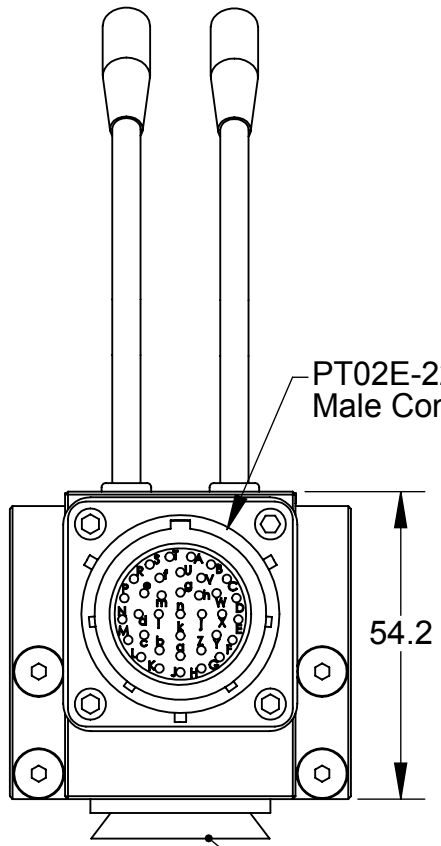


PT02E-22-36P



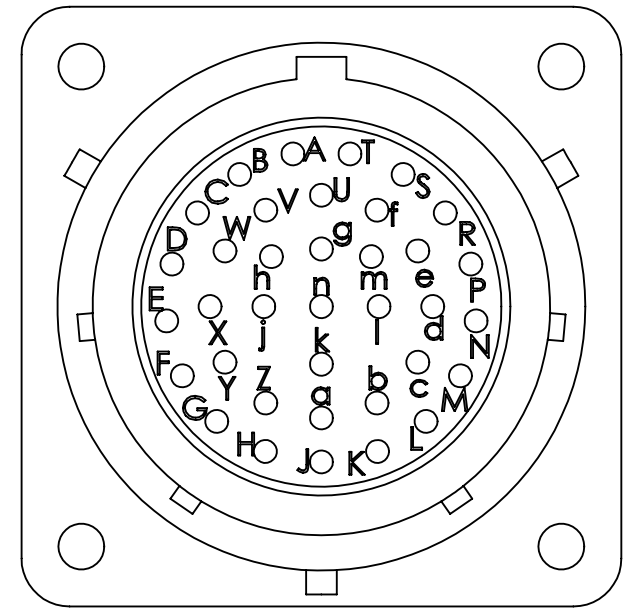
Scale 2:1

PT02E-22-36P Male Connector



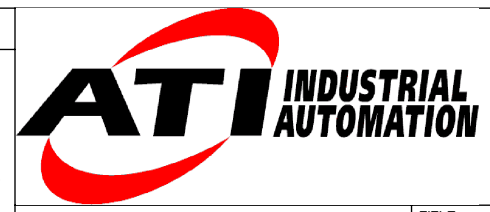
Serviceable Part: (V-Ring) 4010-000030-01

Notes:
1. Pin 'n' on PT connectors is first-to-mate, last-to-break at tool changer interface. This pin is recommended for use as ground.



Scale 2:1

NOTES: UNLESS OTHERWISE SPECIFIED
DO NOT SCALE DRAWING. DRAWN IN SOLIDWORKS. ALL DIMENSIONS ARE IN MILLIMETERS.
PROPERTY OF ATI INDUSTRIAL AUTOMATION, INC. NOT TO BE REPRODUCED IN ANY MANNER EXCEPT ON ORDER OR WITH PRIOR WRITTEN AUTHORIZATION OF ATI.



1031 Goodworth Drive, Apex, NC 27539, USA
Tel: +1.919.772.0115 Email: info@ati-ia.com
Fax: +1.919.772.8259 www.ati-ia.com
ISO 9001 Registered Company

DRAWN BY: J.Snape 5/4/04	TITLE R32W-M with R32-T Module Drawing		
CHECKED BY: JHS 5/5/04	SCALE 3:4	SIZE B	DRAWING NUMBER 9630-20-R32W-M, R32-T-03
WEIGHT LBS: -----	PRODUCT RELEASE # 040316-1 DATE: 9/24/04		
ASSEMBLY REF:	SHEET 1 OF 1		

