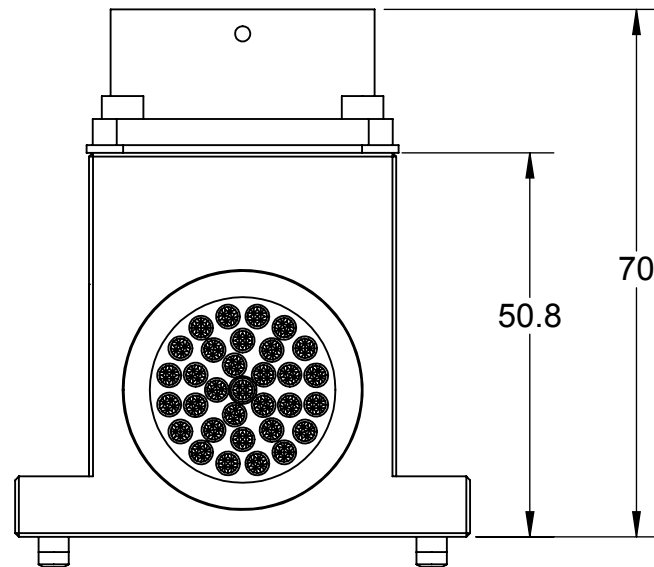
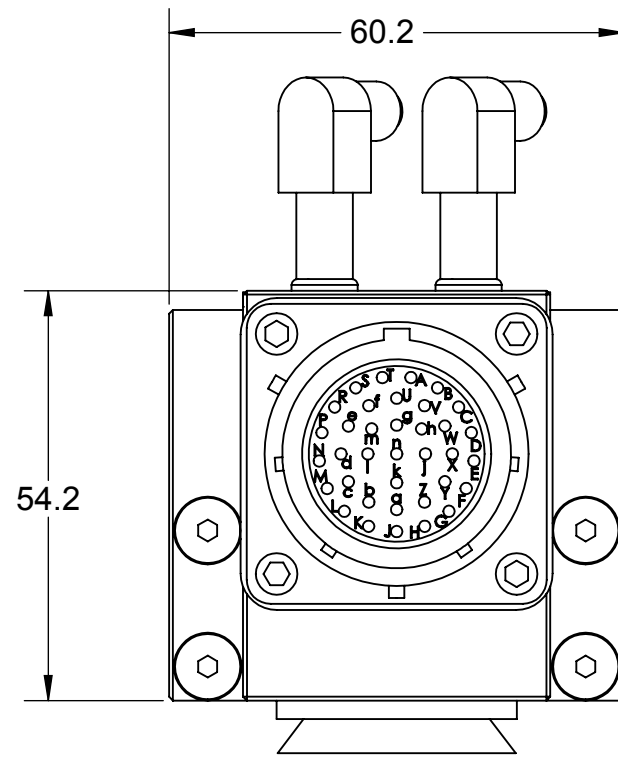


**"DANGER!" - Electrical Shock Hazard**

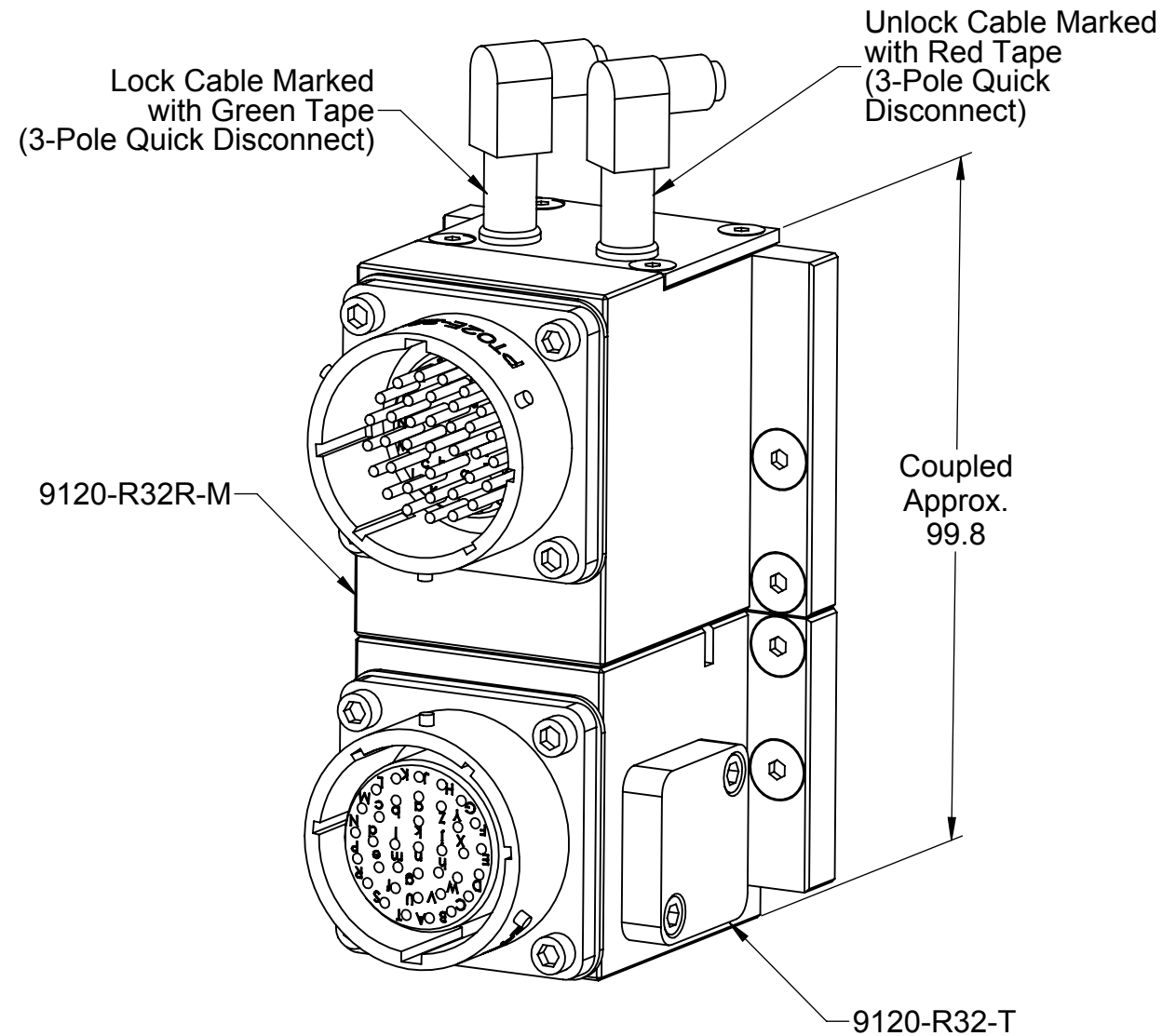
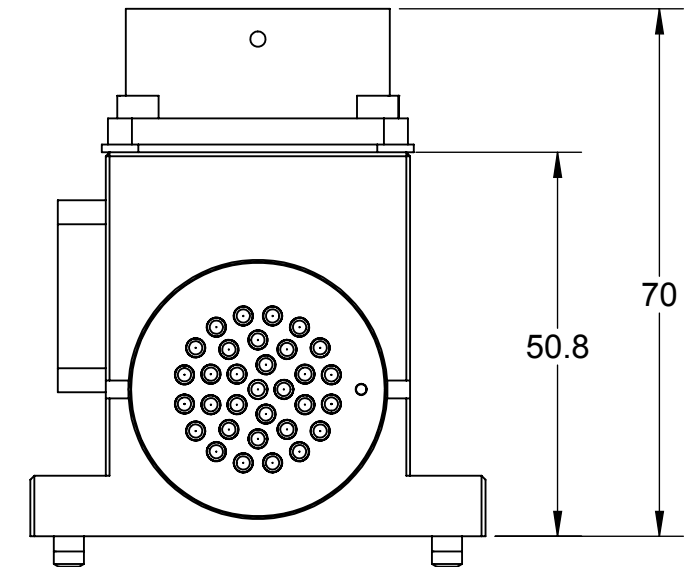
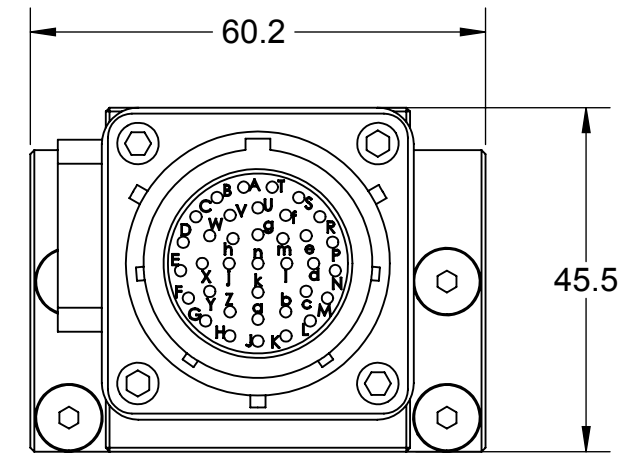
This module has a Voltage of 50V or greater, NO contact should be attempted before removing power. This especially includes separation or insertion of the mating connectors or any contact with the tool changer or its components.

Rev.	Description	Initiator	Date
02	Eco 13855; Created Drawing	CF	10/5/2015

**9120-R32R-M**



**9120-R32-T**



Notes:  
 1. Pin 'n' on PT connectors is first-to-mate, last-to-break at tool changer interface. This pin is recommended for use as ground.

NOTES: UNLESS OTHERWISE SPECIFIED.

DO NOT SCALE DRAWING. ALL DIMENSIONS ARE IN MILLIMETERS.



3rd ANGLE PROJECTION



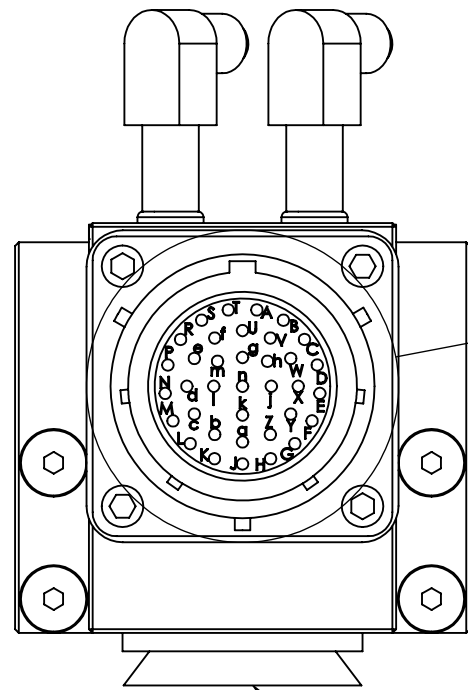
1031 Goodworth Drive, Apex, NC 27539, USA  
 Tel: +1.919.772.0115 Email: info@ati-ia.com  
 Fax: +1.919.772.8259 www.ati-ia.com  
 ISO 9001 Registered Company

PROPERTY OF ATI INDUSTRIAL AUTOMATION, INC. NOT TO BE REPRODUCED IN ANY MANNER EXCEPT ON ORDER OR WITH PRIOR WRITTEN AUTHORIZATION OF ATI.

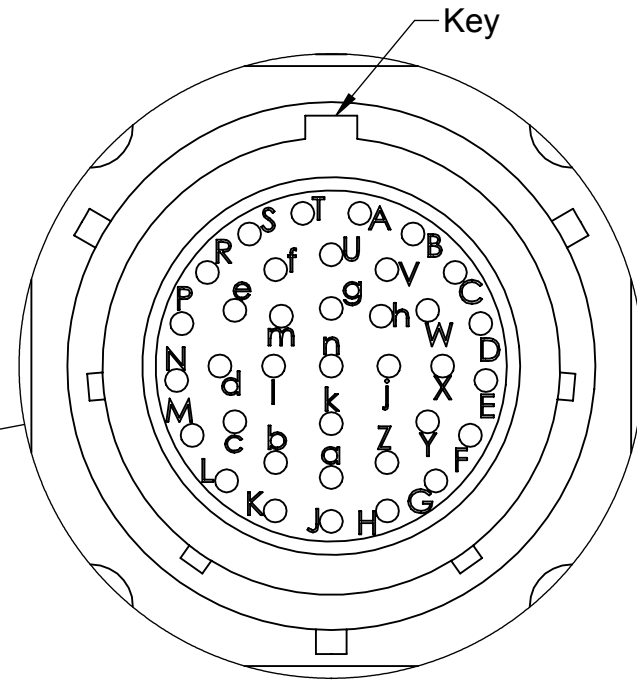
DRAWN BY: C. Flesock, 10/5/2015		TITLE	
CHECKED BY: W. Berrocal, 10/6/2015		R32R-M with R32-T Module Drawing	
PROJECT # -	SHEET 1 OF 3	SCALE	REVISION
		1:1	02
SIZE	DRAWING NUMBER		
B	9630-20-R32RM R32T		

Rev.	Description	Initiator	Date
-	See Sheet1	-	-

**9120-R32R-M**

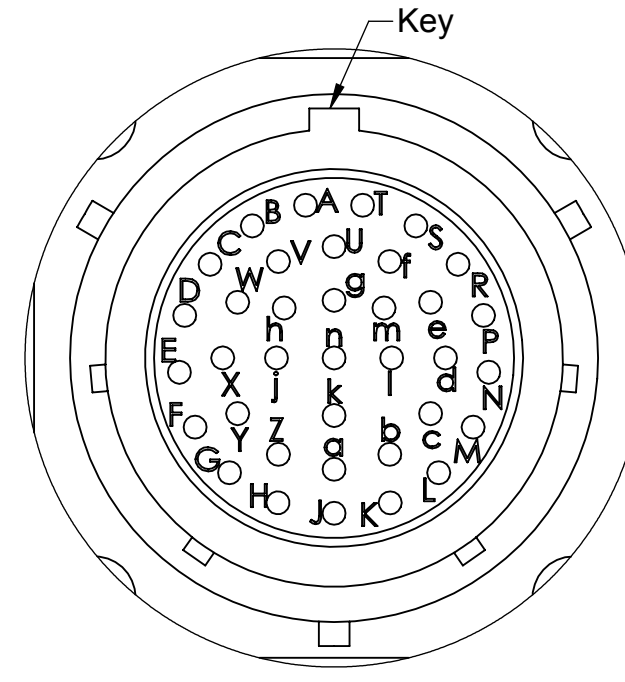


Serviceable Part:  
(V-Ring) 4010-0000030-01

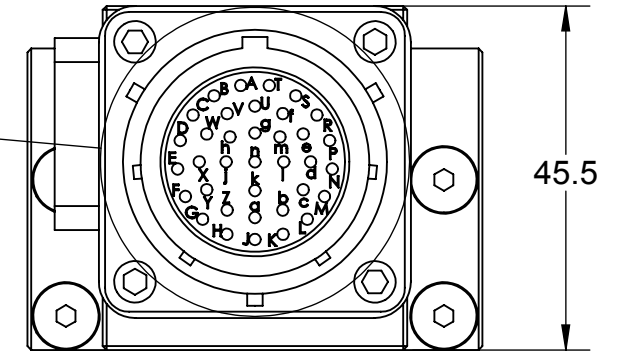


36-Pin Male Connector  
PT02E-22-36P  
DETAIL A  
SCALE 2 : 1

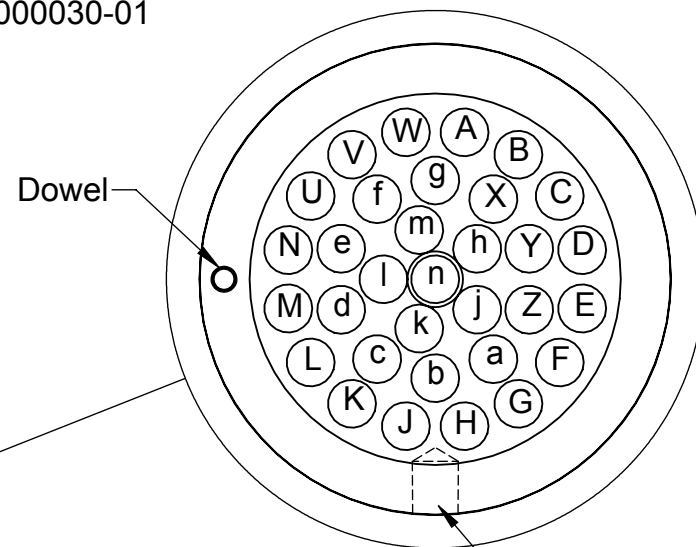
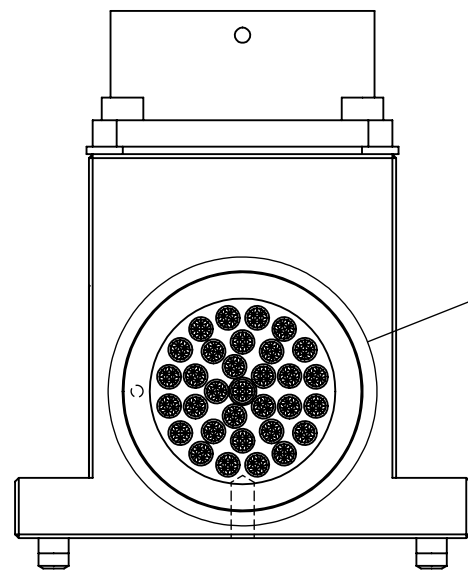
**9120-R32-T**



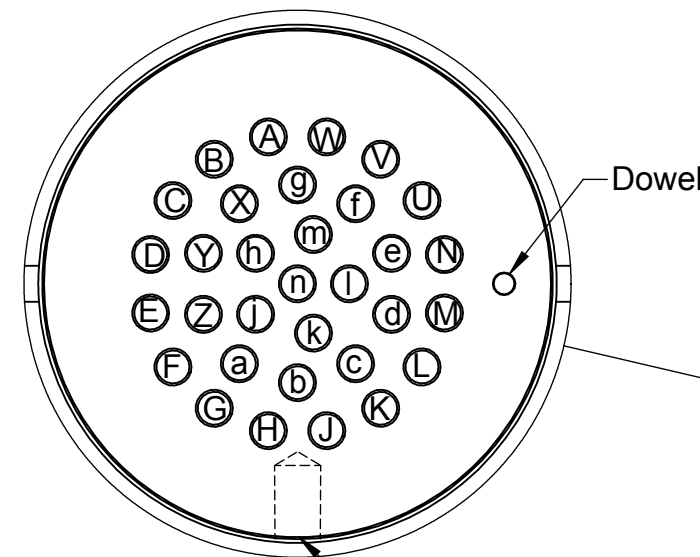
36-Pin Female Connector  
PT0E-22-36S  
DETAIL C  
SCALE 2 : 1



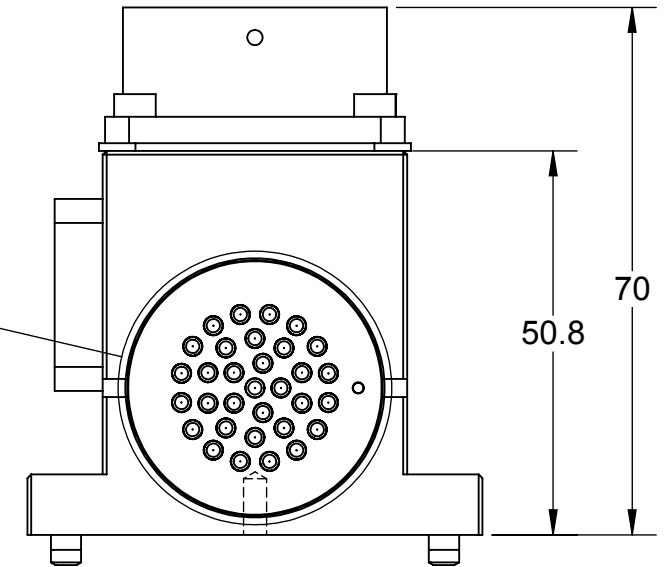
45.5



32-Pin Master  
Pin Block  
DETAIL B  
SCALE 2 : 1



36-Pin Tool  
Pin Block  
DETAIL D  
SCALE 2 : 1



70  
50.8

NOTES: UNLESS OTHERWISE SPECIFIED.

DO NOT SCALE DRAWING. ALL DIMENSIONS ARE IN MILLIMETERS.



3rd ANGLE PROJECTION



1031 Goodworth Drive, Apex, NC 27539, USA  
Tel: +1.919.772.0115 Email: info@ati-ia.com  
Fax: +1.919.772.8259 www.ati-ia.com  
ISO 9001 Registered Company

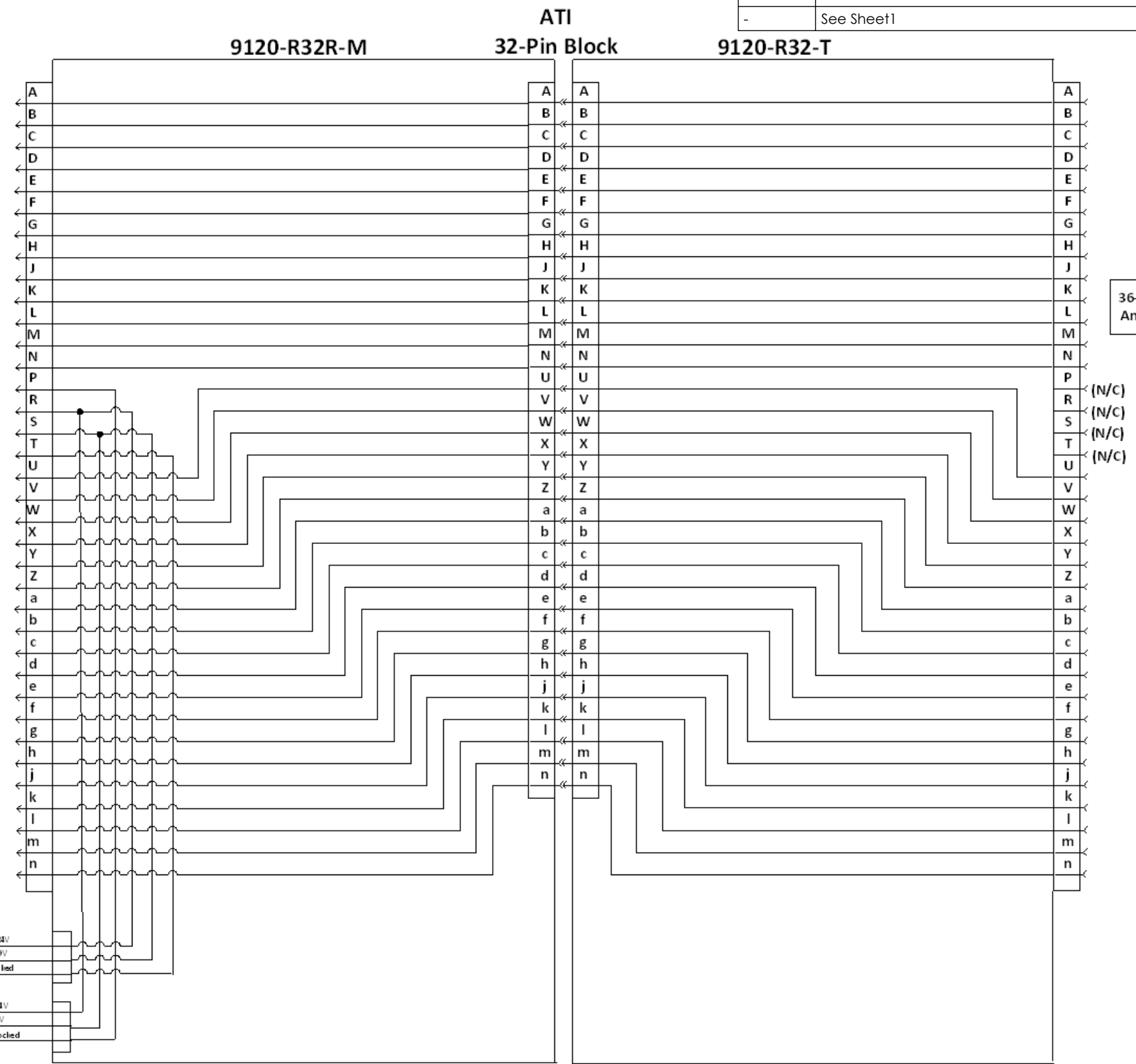
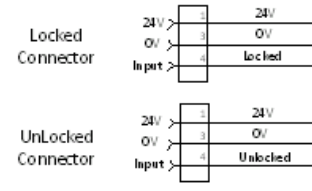
PROPERTY OF ATI INDUSTRIAL AUTOMATION, INC. NOT TO BE REPRODUCED IN ANY MANNER EXCEPT ON ORDER OR WITH PRIOR WRITTEN AUTHORIZATION OF ATI.

DRAWN BY: C. Flesock, 10/5/2015		TITLE	
CHECKED BY: W. Berrocal, 10/6/2015		R32R-M with R32-T Module Drawing	
PROJECT # -	SHEET 2 OF 3	SCALE 1:1	REVISION 02
DRAWING NUMBER 9630-20-R32RM R32T		SIZE B	

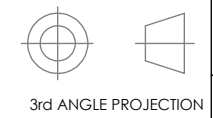
Rev.	Description	Initiator	Date
-	See Sheet1	-	-

36-Pin Male Connector  
Amphenol PT02E-22-36P

36-Pin Female Connector  
Amphenol PT02E-22-36S



NOTES: UNLESS OTHERWISE SPECIFIED.  
DO NOT SCALE DRAWING. ALL DIMENSIONS ARE IN MILLIMETERS.



1031 Goodworth Drive, Apex, NC 27539, USA  
Tel: +1.919.772.0115 Email: info@ati-ia.com  
Fax: +1.919.772.8259 www.ati-ia.com  
ISO 9001 Registered Company

PROPERTY OF ATI INDUSTRIAL AUTOMATION, INC. NOT TO BE REPRODUCED IN ANY MANNER EXCEPT ON ORDER OR WITH PRIOR WRITTEN AUTHORIZATION OF ATI.

DRAWN BY: C. Flesock, 10/5/2015		TITLE	
CHECKED BY: W. Berrocal, 10/6/2015		R32R-M with R32-T Module Drawing	
PROJECT # -	SHEET 3 OF 3	SCALE	SIZE
		1:1	B
DRAWING NUMBER		REVISION	
9630-20-R32RM R32T		02	