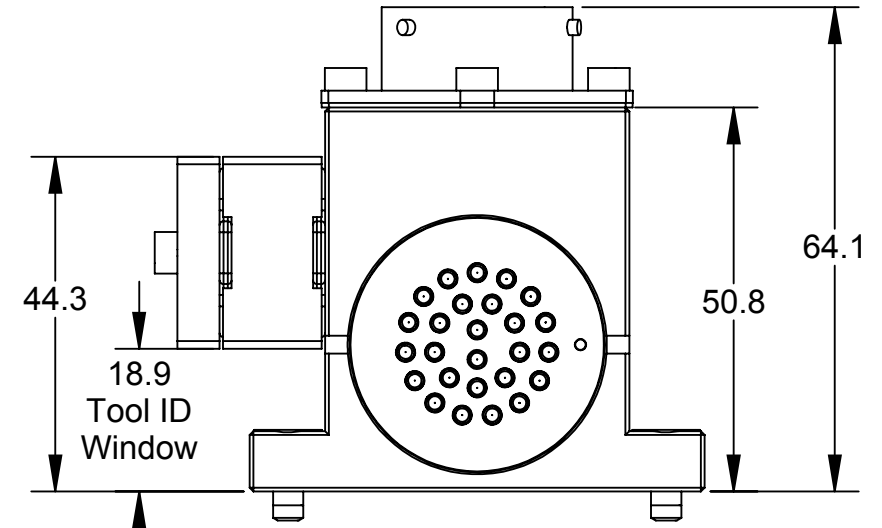
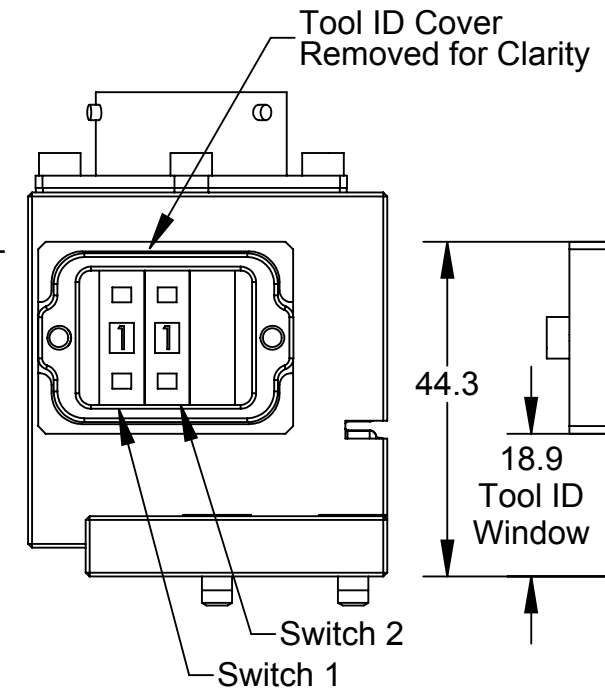
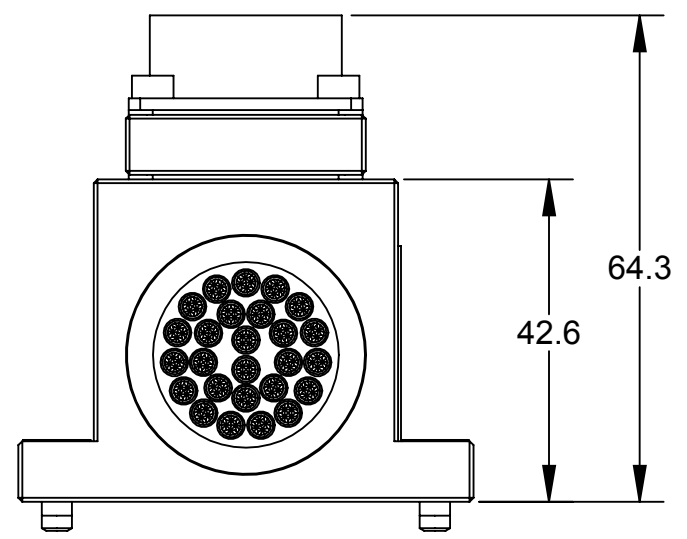
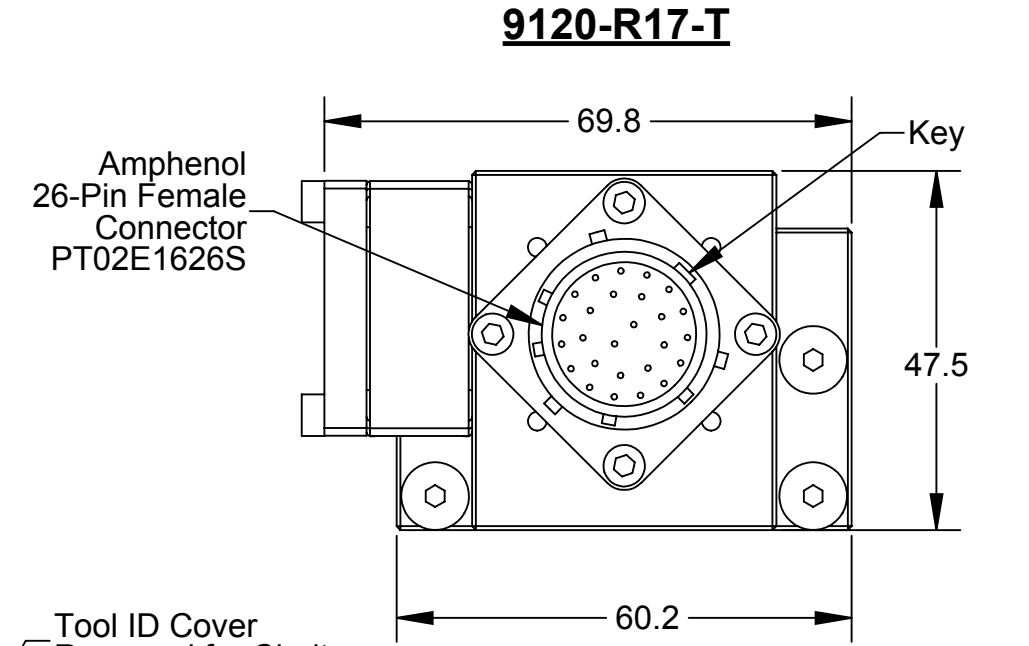
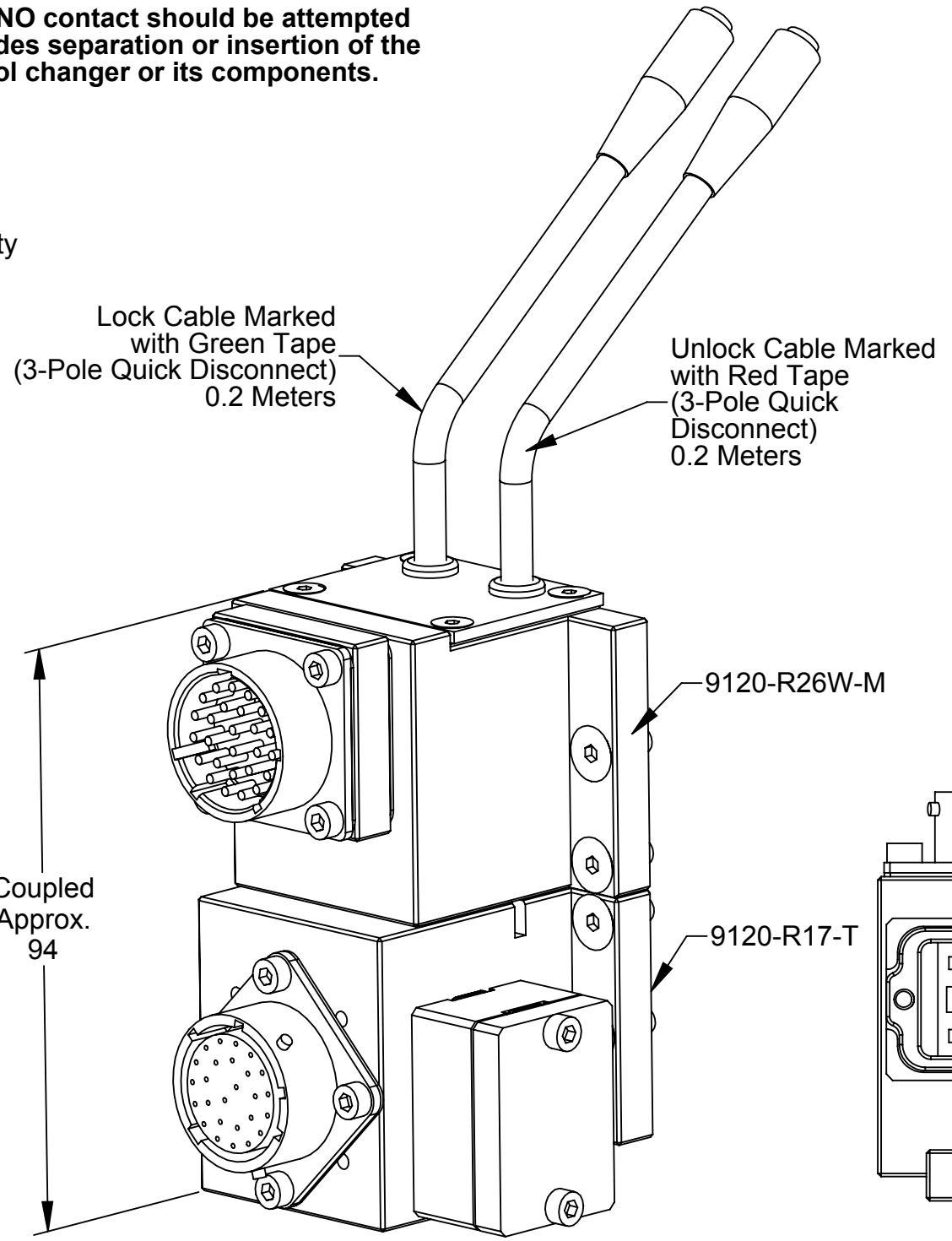
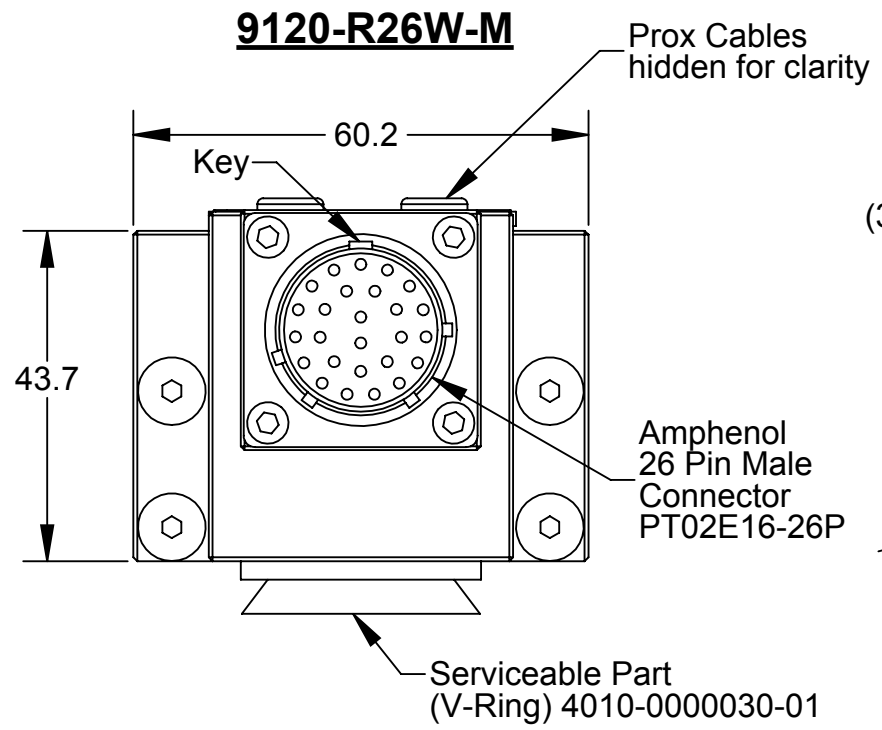


"DANGER!" - Electrical Shock Hazard

This module has a Voltage of 50V or greater, NO contact should be attempted before removing power. This especially includes separation or insertion of the mating connectors or any contact with the tool changer or its components.

Rev.	Description	Initiator	Date
02	Eco 15475; Release	CF	3/20/2017



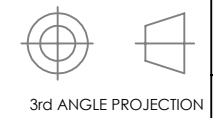
- Notes:
1. Module Electrical Rating: 3A / 250 VAC.
 2. Customer approval of Electrical Schematic is required.
 3. Customer is to approve Connector Selection and Orientation.

NOTES: UNLESS OTHERWISE SPECIFIED.
DO NOT SCALE DRAWING. ALL DIMENSIONS ARE IN MILLIMETERS.



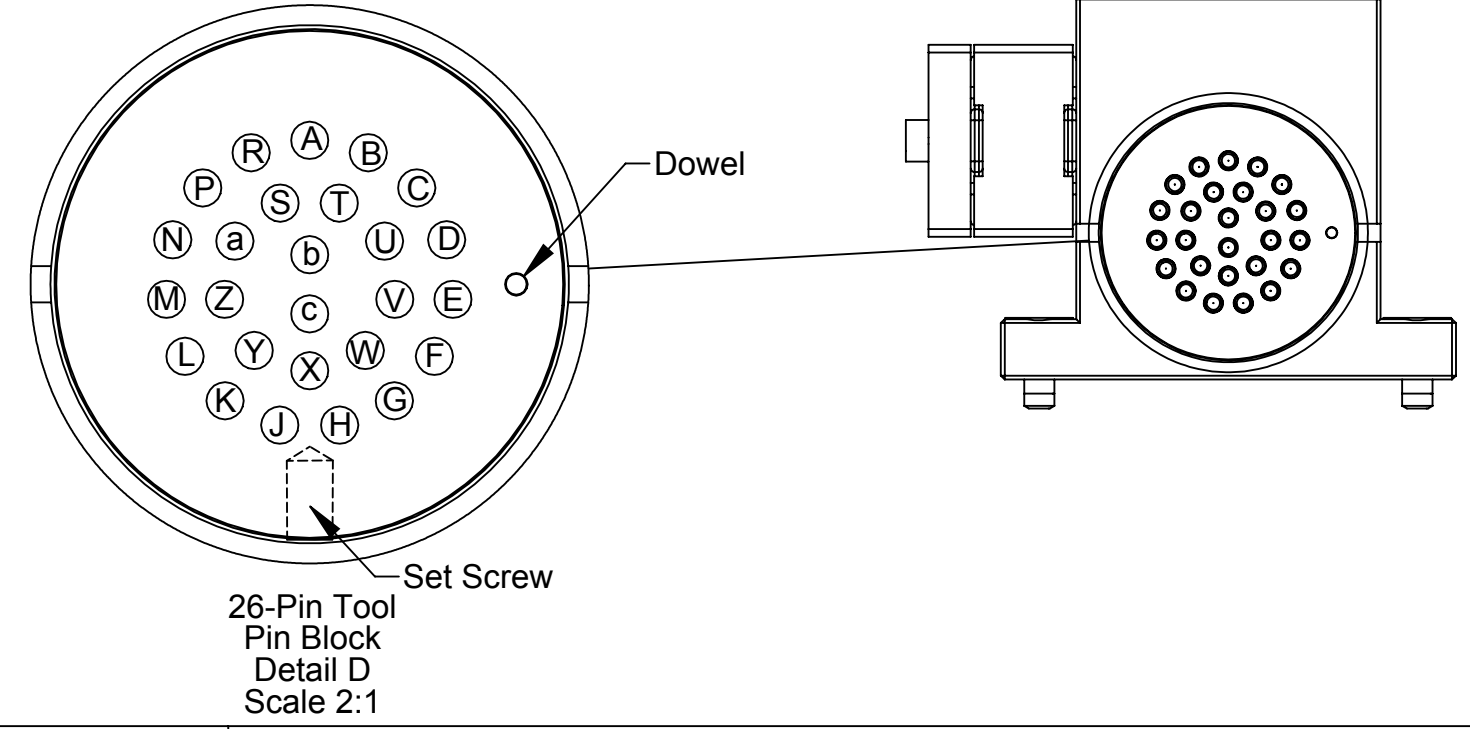
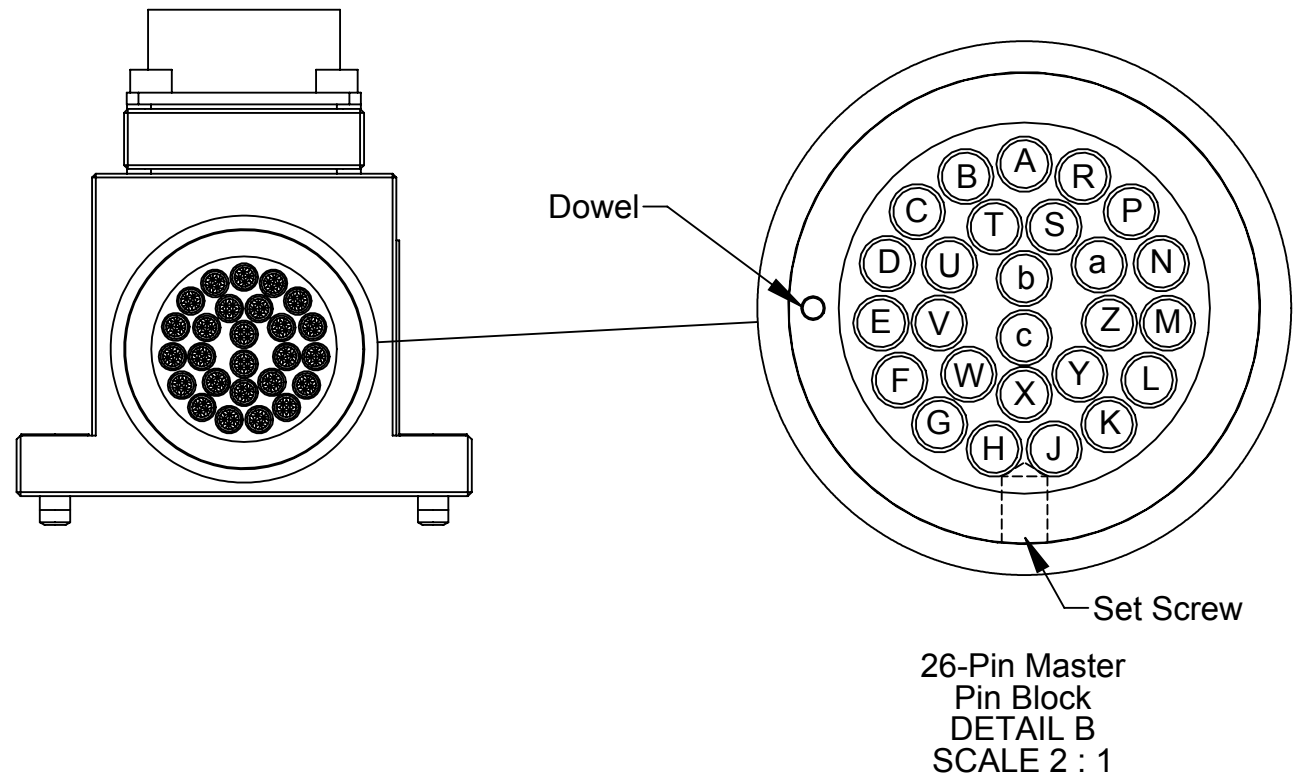
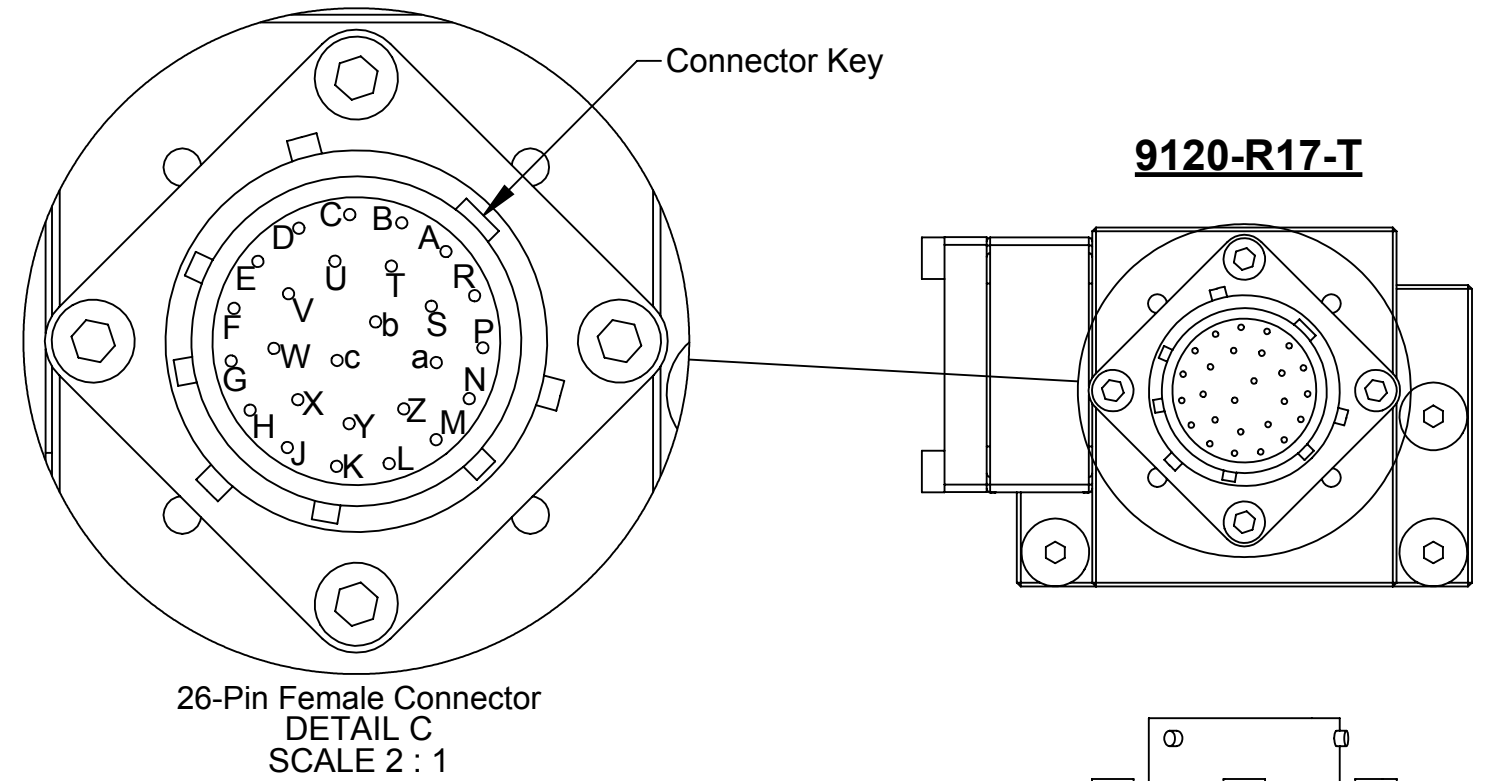
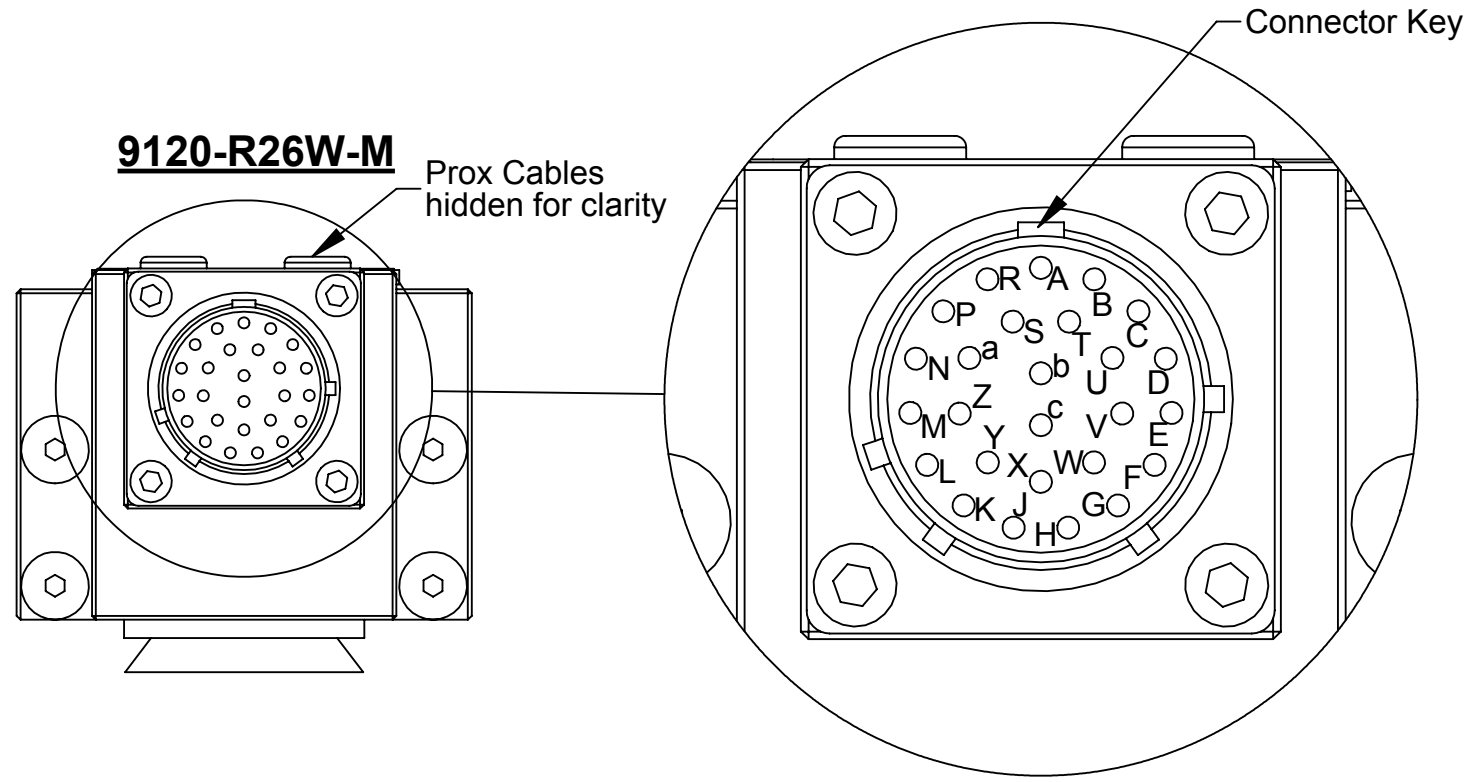
1031 Goodworth Drive, Apex, NC 27539, USA
Tel: +1.919.772.0115 Email: info@ati-ia.com
Fax: +1.919.772.8259 www.ati-ia.com
ISO 9001 Registered Company

PROPERTY OF ATI INDUSTRIAL AUTOMATION, INC. NOT TO BE REPRODUCED IN ANY MANNER EXCEPT ON ORDER OR WITH PRIOR WRITTEN AUTHORIZATION OF ATI.



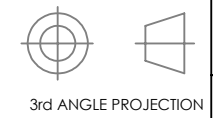
DRAWN BY: C. Flesock, 3/20/17		TITLE	
CHECKED BY: P. Luczka, 3/21/17		R26W-M, R17-T Module Drawing	
PROJECT # -	SHEET 1 OF 3	SCALE	SIZE
		1:1	B
DRAWING NUMBER		REVISION	
9630-20-R26WM R17T		02	

REV.	DESCRIPTION	INITIATOR	DATE
-	See Sheet1	-	-



NOTES: UNLESS OTHERWISE SPECIFIED.

DO NOT SCALE DRAWING. ALL DIMENSIONS ARE IN MILLIMETERS.



1031 Goodworth Drive, Apex, NC 27539, USA
Tel: +1.919.772.0115 Email: info@ati-ia.com
Fax: +1.919.772.8259 www.ati-ia.com
ISO 9001 Registered Company

PROPERTY OF ATI INDUSTRIAL AUTOMATION, INC. NOT TO BE REPRODUCED IN ANY MANNER EXCEPT ON ORDER OR WITH PRIOR WRITTEN AUTHORIZATION OF ATI.

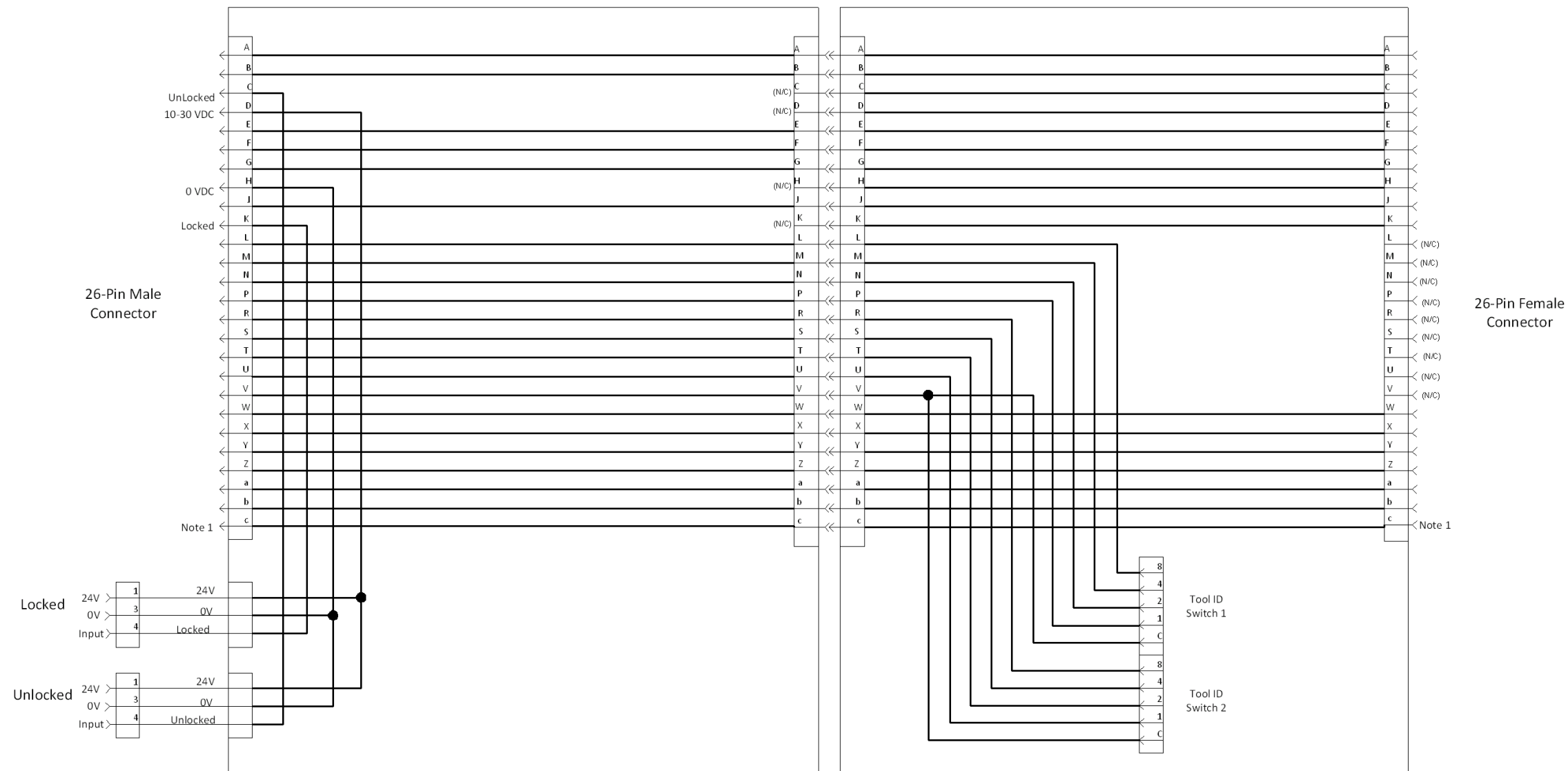
DRAWN BY: C. Flesock, 3/20/17		TITLE	
CHECKED BY: P. Luczka, 3/21/17		R26W-M, R17-T Module Drawing	
PROJECT # -	SHEET 2 OF 3	SCALE	REVISION
		1:1	02
SIZE	DRAWING NUMBER		
B	9630-20-R26WM R17T		

REV.	DESCRIPTION	INITIATOR	DATE
-	See Sheet1	-	-

9120-R26W-M

9120-R17-T

ATI 26 Pin Block



Binary Output of Tool ID

Switch Selection	Pin	Pin	Pin	Pin
	L	M	N	P
	R	S	T	U
0	0	0	0	0
1	0	0	0	1
2	0	0	1	0
3	0	0	1	1
4	0	1	0	0
5	0	1	0	1
6	0	1	1	0
7	0	1	1	1
8	1	0	0	0
9	1	0	0	1

- Pin "c" on ATI 26-Pin Block is "First-to-Mate" and "Last-To-Break" contact and is recommended as ground.

NOTES: UNLESS OTHERWISE SPECIFIED.

DO NOT SCALE DRAWING. ALL DIMENSIONS ARE IN MILLIMETERS.



3rd ANGLE PROJECTION



1031 Goodworth Drive, Apex, NC 27539, USA
 Tel: +1.919.772.0115 Email: info@ati-ia.com
 Fax: +1.919.772.8259 www.ati-ia.com
 ISO 9001 Registered Company

PROPERTY OF ATI INDUSTRIAL AUTOMATION, INC. NOT TO BE REPRODUCED IN ANY MANNER EXCEPT ON ORDER OR WITH PRIOR WRITTEN AUTHORIZATION OF ATI.

DRAWN BY: C. Flesock, 3/20/17		TITLE	
CHECKED BY: P. Luczka, 3/21/17		R26W-M, R17-T Module Drawing	
PROJECT # -	SHEET 3 OF 3	SCALE	SIZE
		1:1	B
DRAWING NUMBER		REVISION	
9630-20-R26WM R17T		02	