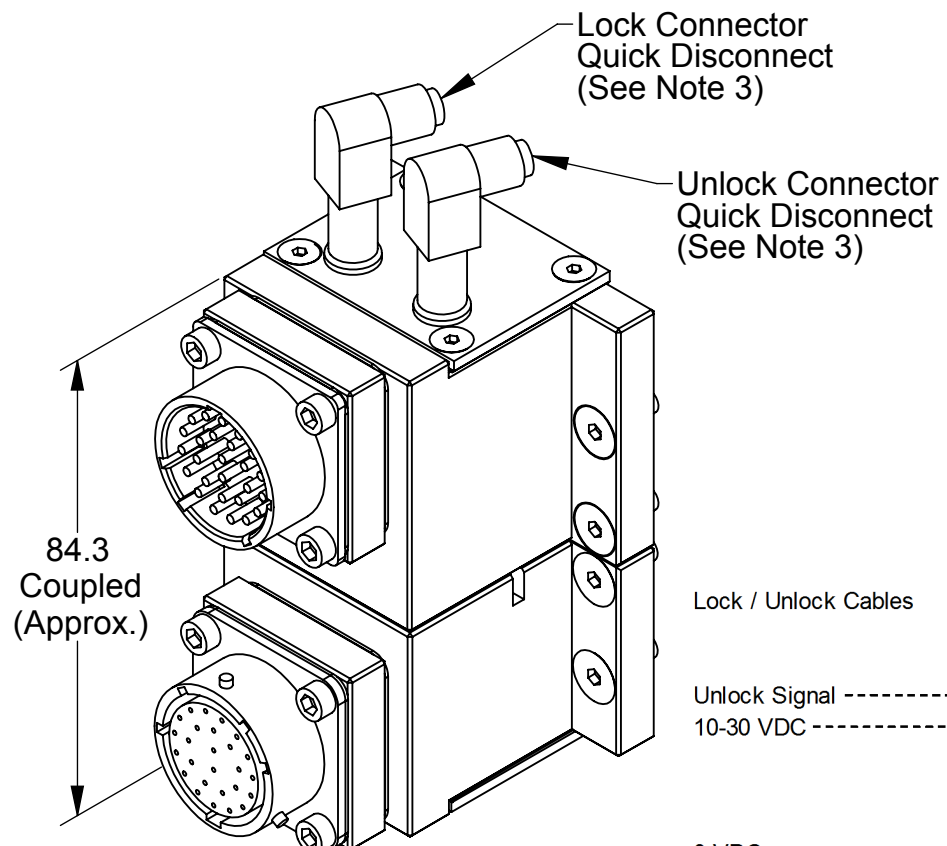
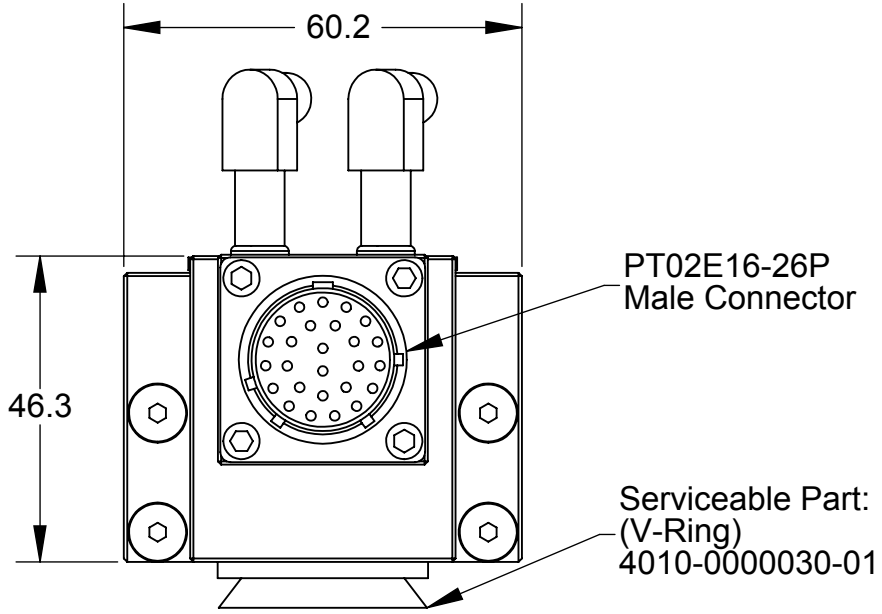
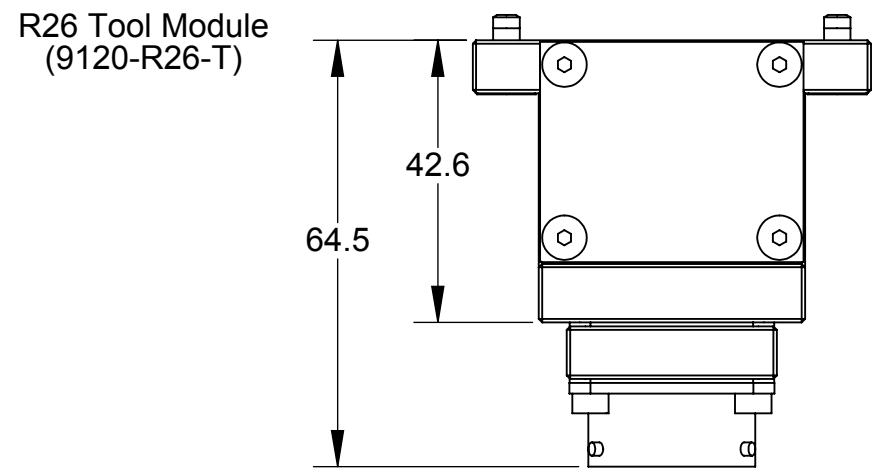
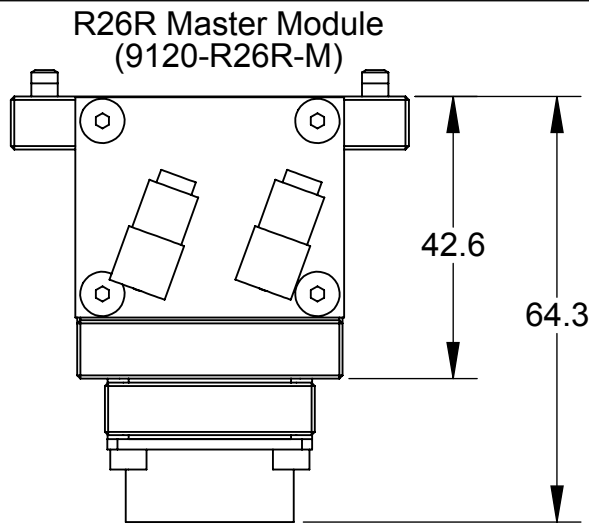


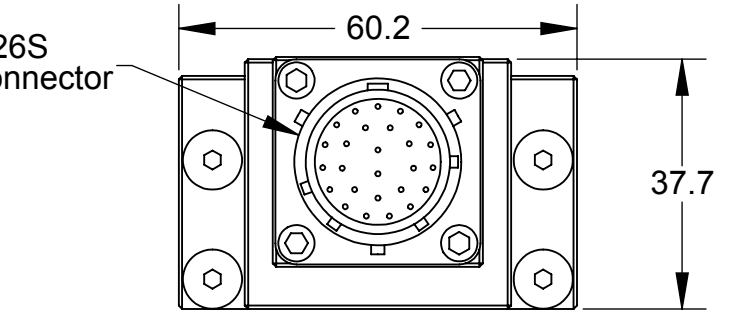
Rev.	Description	Initiator	Date
02	Eco 6233; Corrected lock/unlock cable callouts.	PS	3/10/2008
03	Eco 8246; Updated Assembly Views with Connector Spacer.	CF	1/7/2011

**"DANGER! - For electrical modules using > 60VDC or 42 VAC, NO contact should be attempted before removing power. This especially includes separation or insertion of the mating connectors or any contact with the tool changer or its components."**



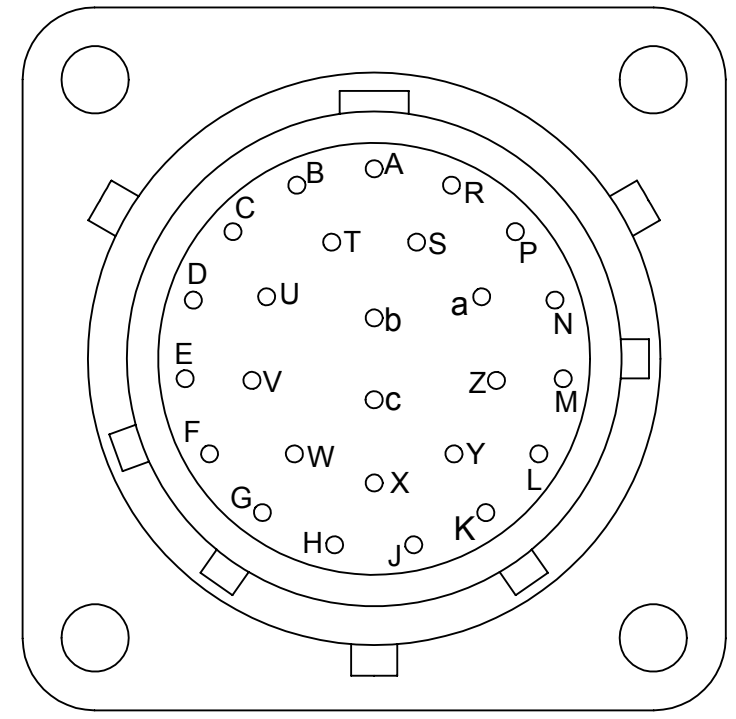
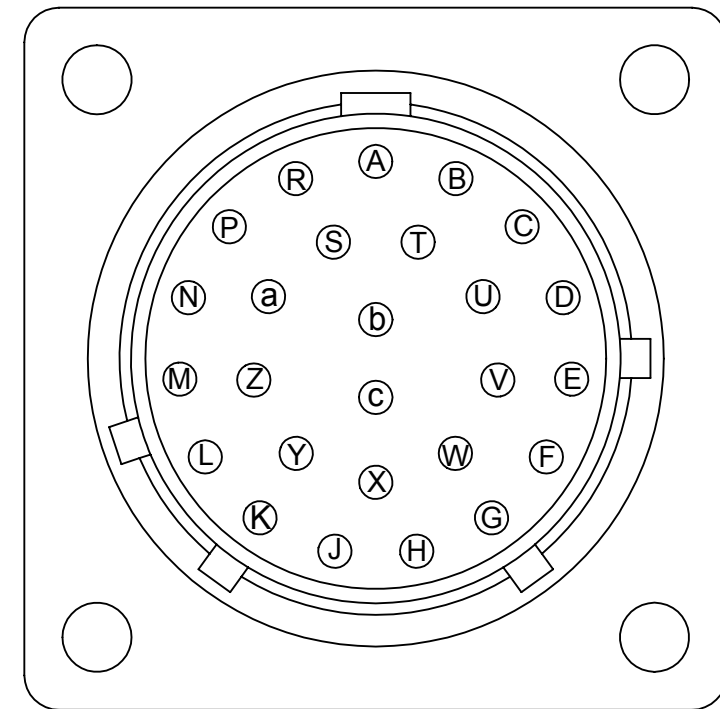
Pin Out  
PT02E16-26S Female Connector

	R26R Master PT02E16-26P Male Connector	R26 Tool PT02E16-26S Female Connector
Lock / Unlock Cables	A ----->>----- A	B ----->>----- B
Unlock Signal	C ----->>----- C(n/c)	D(n/c)
10-30 VDC	D ----->>----- D	E ----->>----- E
	E ----->>----- F	F ----->>----- F
	F ----->>----- G	G ----->>----- G
0 VDC	H ----->>----- H	H(n/c)
Lock Signal	J ----->>----- J	K(n/c)
	K ----->>----- K	L ----->>----- L
	L ----->>----- M	M ----->>----- M
	M ----->>----- N	N ----->>----- N
	N ----->>----- P	P ----->>----- P
	P ----->>----- R	R ----->>----- R
	R ----->>----- S	S ----->>----- S
	S ----->>----- T	T ----->>----- T
	T ----->>----- U	U ----->>----- U
	U ----->>----- V	V ----->>----- V
	V ----->>----- W	W ----->>----- W
	W ----->>----- X	X ----->>----- X
	X ----->>----- Y	Y ----->>----- Y
	Y ----->>----- Z	Z ----->>----- Z
	a ----->>----- a	a ----->>----- a
	b ----->>----- b	b ----->>----- b
	c ----->>----- c	c (See Note 2)



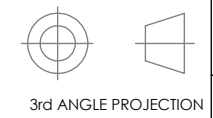
Note:

1. Large views of connectors are 3:1 scale.
2. Pin "c" on the amphenol connectors is First-to-mate Last-to-break at the Tool Changer interface. This pin is recommended for use as ground.
3. Unlock connector indicated with red. Lock connector indicated with green. Cables not shown for clarity.



NOTES: UNLESS OTHERWISE SPECIFIED.

DO NOT SCALE DRAWING. ALL DIMENSIONS ARE IN MILLIMETERS.



1031 Goodworth Drive, Apex, NC 27539, USA  
 Tel: +1.919.772.0115 Email: info@ati-ia.com  
 Fax: +1.919.772.8259 www.ati-ia.com  
 ISO 9001 Registered Company

PROPERTY OF ATI INDUSTRIAL AUTOMATION, INC. NOT TO BE REPRODUCED IN ANY MANNER EXCEPT ON ORDER OR WITH PRIOR WRITTEN AUTHORIZATION OF ATI.

DRAWN BY: P.Sparrow, 4/10/06		TITLE	
CHECKED BY: D.Swanson, 4/11/06		R26R Master w/ R26 Tool Module Drawing	
PROJECT #	SHEET 1 OF 1	SCALE	SIZE
		7:8	B
DRAWING NUMBER		REVISION	
9630-20-R26RM R26T		03	