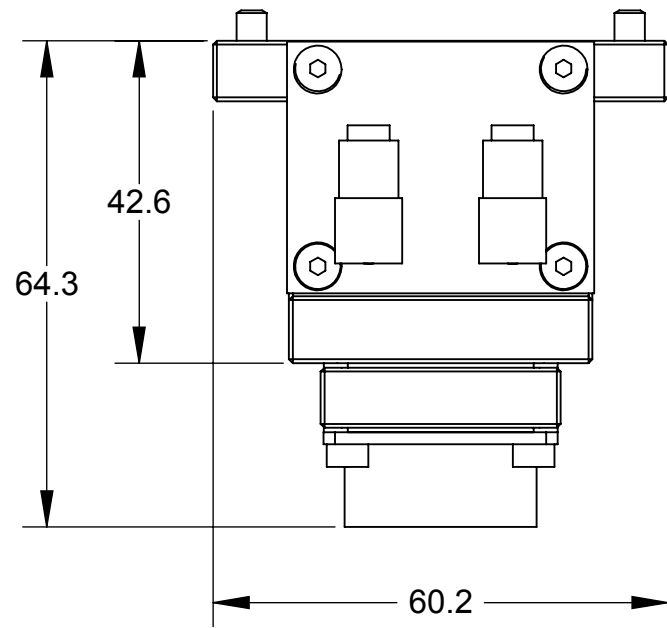


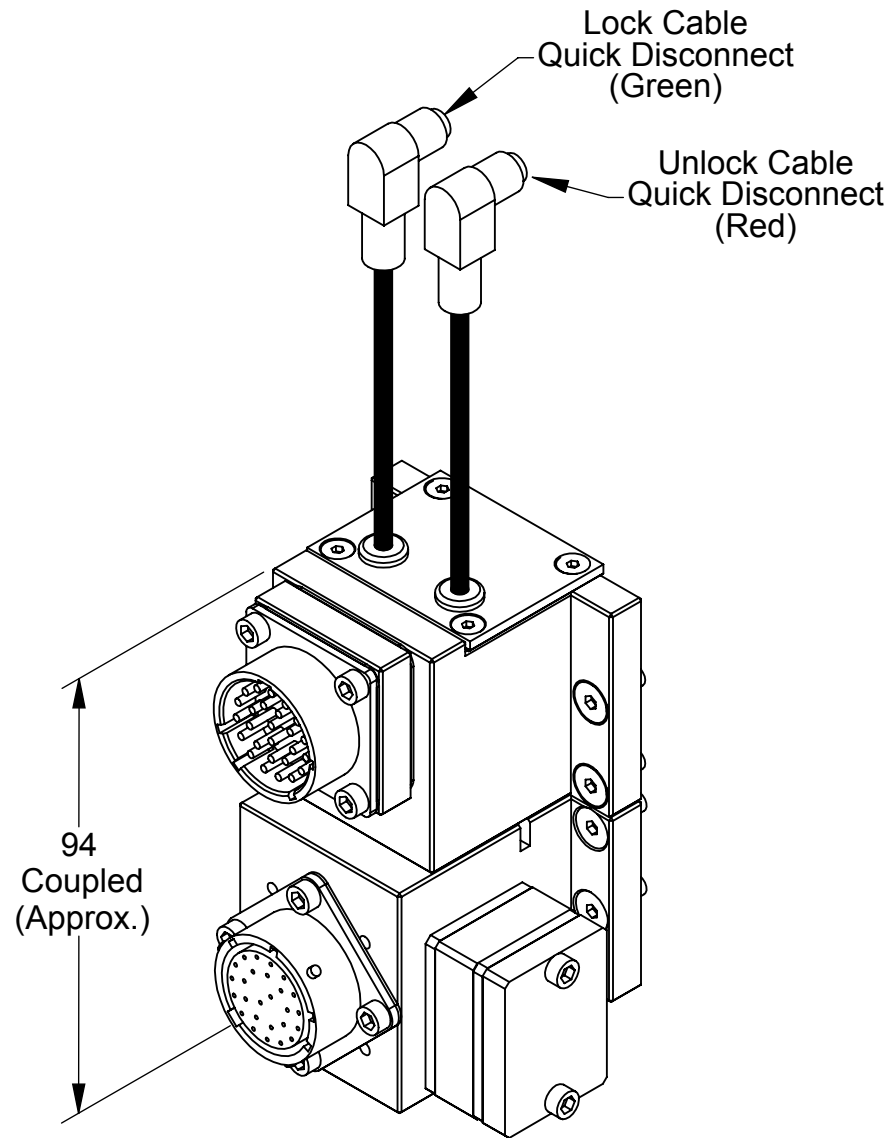
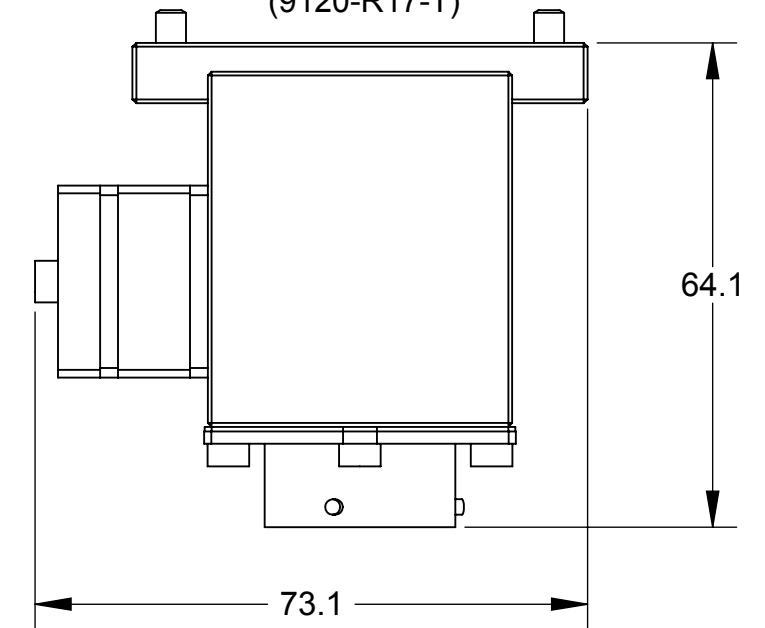
Rev.	Description	Initiator	Date
01	Initial Release	DSS	5/3/2012

"DANGER! - For electrical modules using > 60VDC or 42 VAC, NO contact should be attempted before removing power. This especially includes separation or insertion of the mating connectors or any contact with the tool changer or its components."

R26R Master Module
(9120-R26R-M)

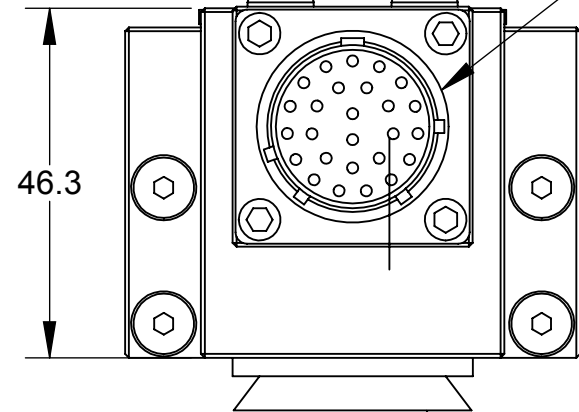


R17 Tool Module
(9120-R17-T)



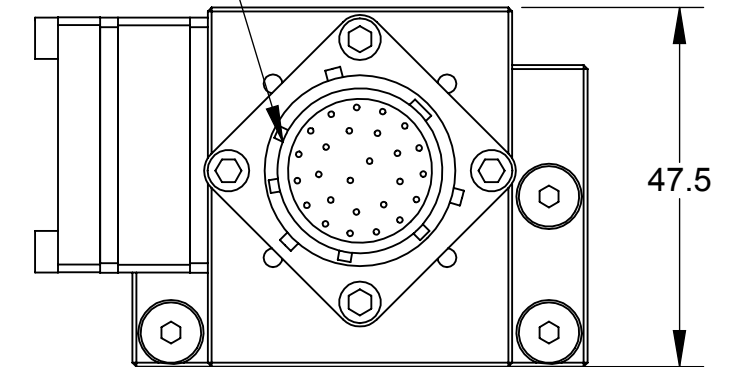
Cables/Connectors
Not Shown

PT02E-16-26P
Male Connector



Serviceable Part:
(V-Ring)
4010-0000030-01

PT02E-16-26S
Female Connector



NOTES: UNLESS OTHERWISE SPECIFIED.

DO NOT SCALE DRAWING.
ALL DIMENSIONS ARE IN
MILLIMETERS.



3rd ANGLE PROJECTION



1031 Goodworth Drive, Apex, NC 27539, USA
Tel: +1.919.772.0115 Email: info@ati-ia.com
Fax: +1.919.772.8259 www.ati-ia.com
ISO 9001 Registered Company

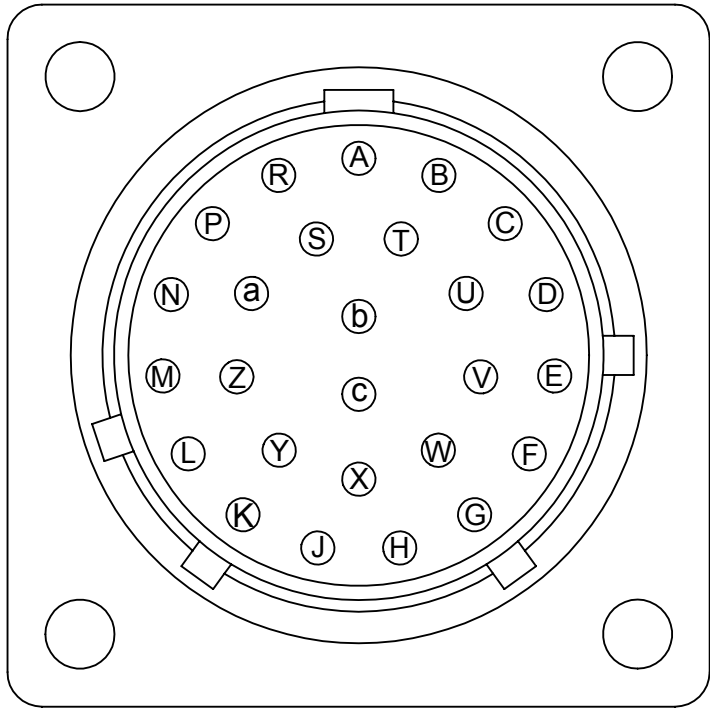
PROPERTY OF ATI INDUSTRIAL AUTOMATION, INC. NOT TO BE REPRODUCED IN ANY MANNER EXCEPT ON ORDER OR WITH PRIOR WRITTEN AUTHORIZATION OF ATI.

DRAWN BY: D. Swanson 5/3/12		TITLE		
CHECKED BY: D. Wagner 5/3/12		R26R-M with R17-T		
PROJECT #	SHEET 1 OF 2	SCALE	SIZE	DRAWING NUMBER
		3:4	B	9630-20-R26RM R17T
				REVISION
				01

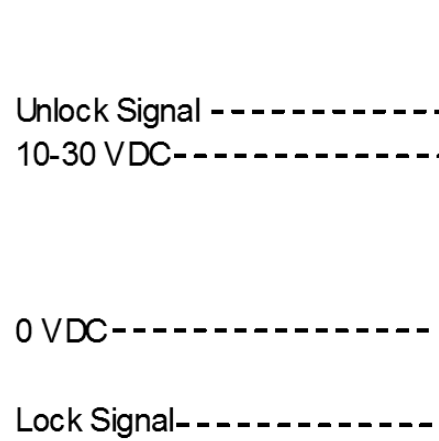
Rev.	Description	Initiator	Date
-	See Sheet1	-	-

R26R to R17 Pin Out

R26R-M
Master Side
(PT02E-16-26P)

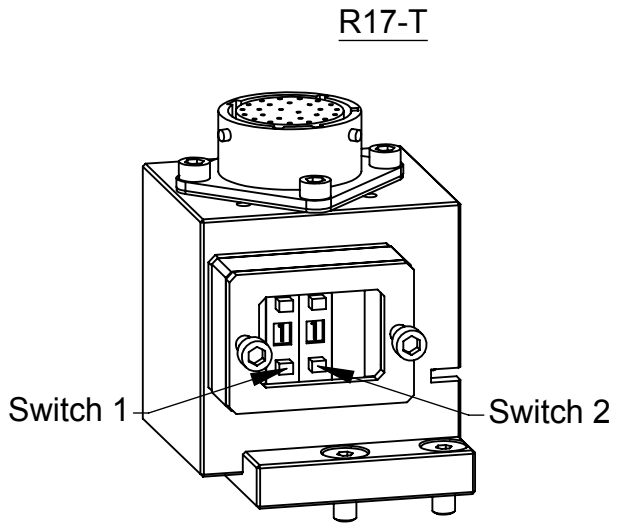
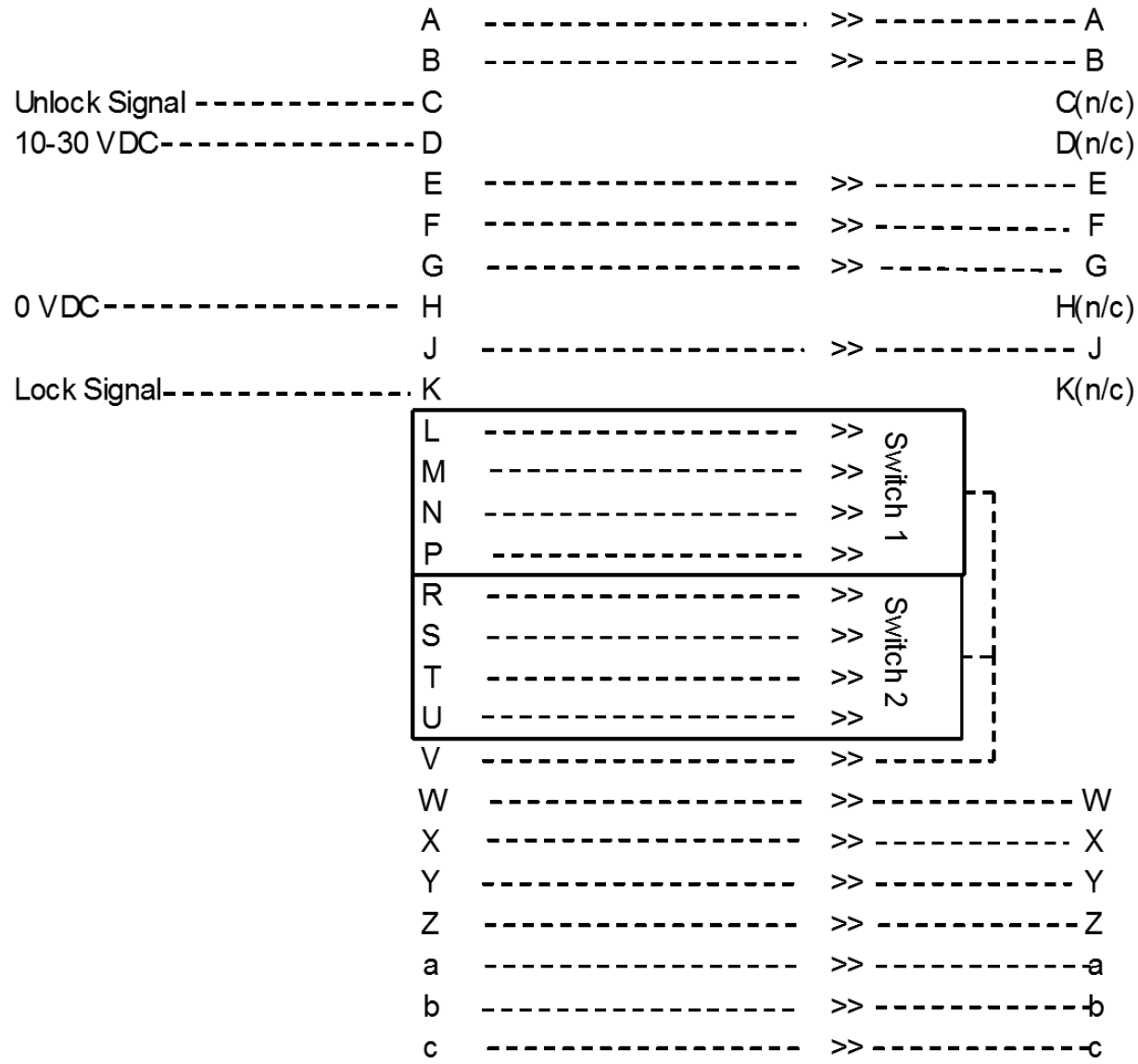
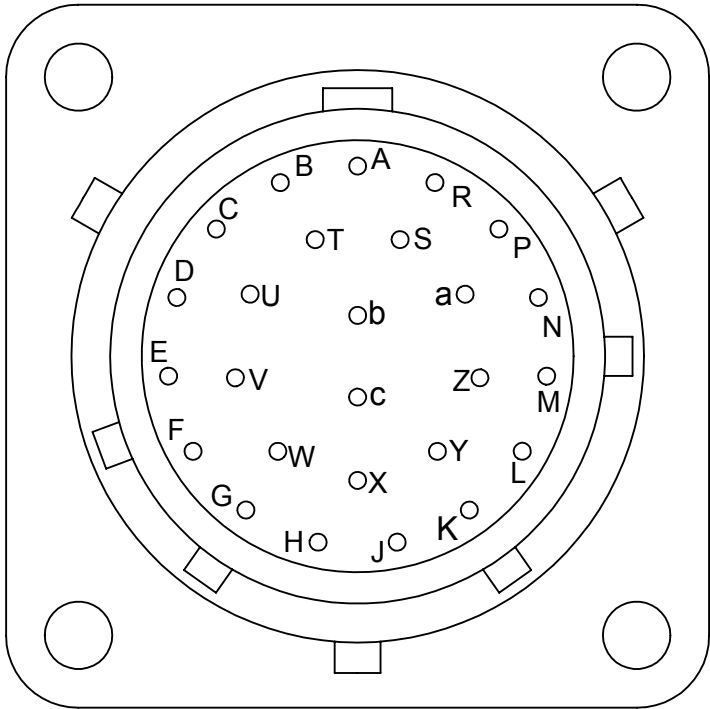


R26R Master
PT02E-16-26P
Lock/Unlock Cables Male Connector



R17 Tool
PT02E-16-26S
Female Connector

R17-T
Tool Side
(PT02E-16-26S)



Binary Output of Tool ID

Switch Selection	Pin	Pin	Pin	Pin
	L	M	N	P
0	0	0	0	0
1	0	0	0	1
2	0	0	1	0
3	0	0	1	1
4	0	1	0	0
5	0	1	0	1
6	0	1	1	0
7	0	1	1	1
8	1	0	0	0
9	1	0	0	1

Notes:

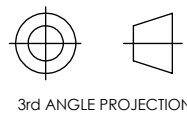
- Views of connectors are 3:1 scale.
- Pin "c" on the connector is First-to-Mate Last-to-Break at Tool Changer interface. This pin is recommended for use as ground.

Signal Legend

Pin c: 0 VDC (recommended)
Pin V: 5-50 VDC 100mA Max (Tool ID)

NOTES: UNLESS OTHERWISE SPECIFIED.

DO NOT SCALE DRAWING. ALL DIMENSIONS ARE IN MILLIMETERS.



1031 Goodworth Drive, Apex, NC 27539, USA
Tel: +1.919.772.0115 Email: info@ati-ia.com
Fax: +1.919.772.8259 www.ati-ia.com
ISO 9001 Registered Company

PROPERTY OF ATI INDUSTRIAL AUTOMATION, INC. NOT TO BE REPRODUCED IN ANY MANNER EXCEPT ON ORDER OR WITH PRIOR WRITTEN AUTHORIZATION OF ATI.

DRAWN BY: D. Swanson 5/3/12		TITLE	
CHECKED BY: D. Wagner 5/3/12		R26R-M with R17-T	
PROJECT #	SHEET 2 OF 2	SCALE	SIZE
		3:4	B
DRAWING NUMBER		REVISION	
9630-20-R26RM R17T		01	