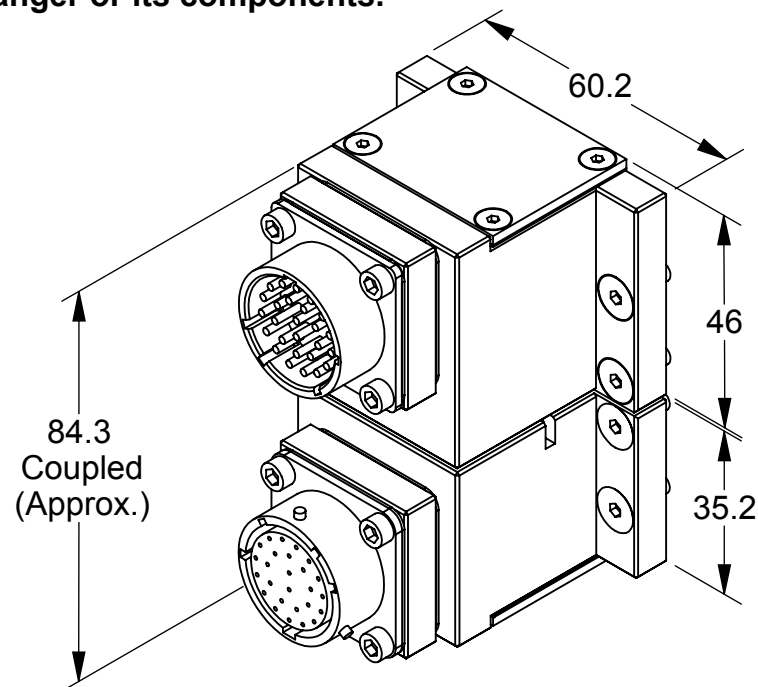
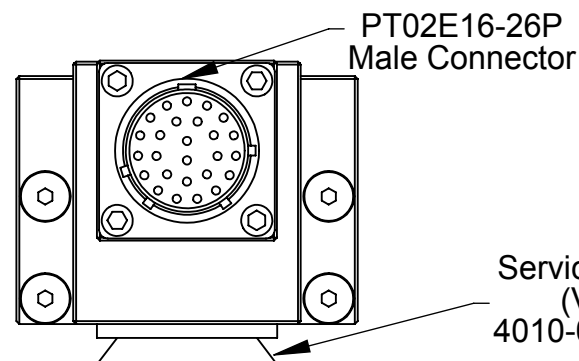
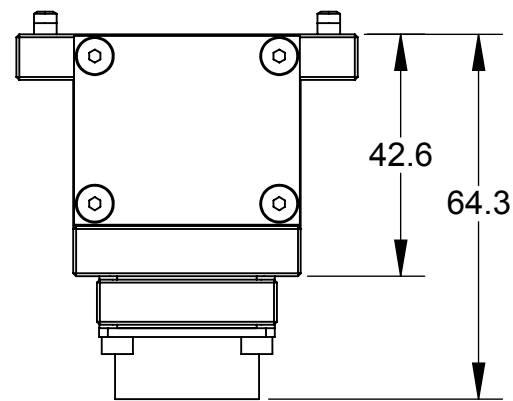


"DANGER!" - For electrical modules using > 60VDC or 42 VAC, NO contact should be attempted before removing power. This especially includes separation or insertion of the mating connectors or any contact with the tool changer or its components."

Rev.	Description	Initiator	Date
04	Eco 5056; Added High Voltage Label	LJH	4/24/2007
05	ECO 5942; Added "Danger! remove power" note.	CDM	12/4/2007
06	Eco 8246; Updated Assembly Views with Connector Spacer.	CF	1/7/2011

R26 Master Module
(9120-R26-M)



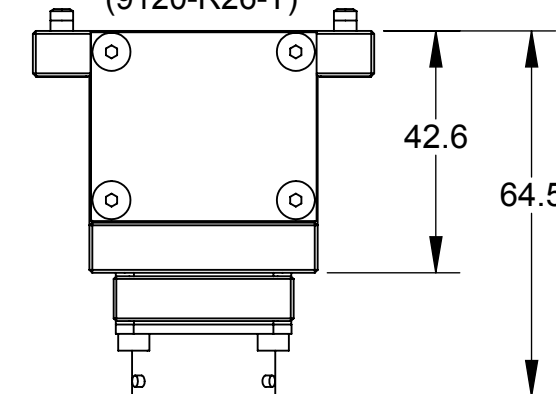
R26 Pin Out

R26 Master
PT02E16-26P
Male Connector

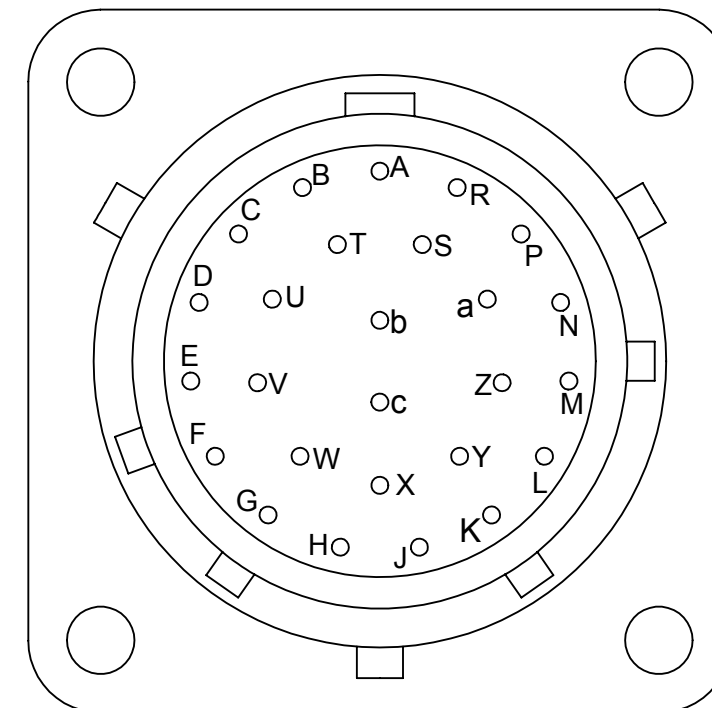
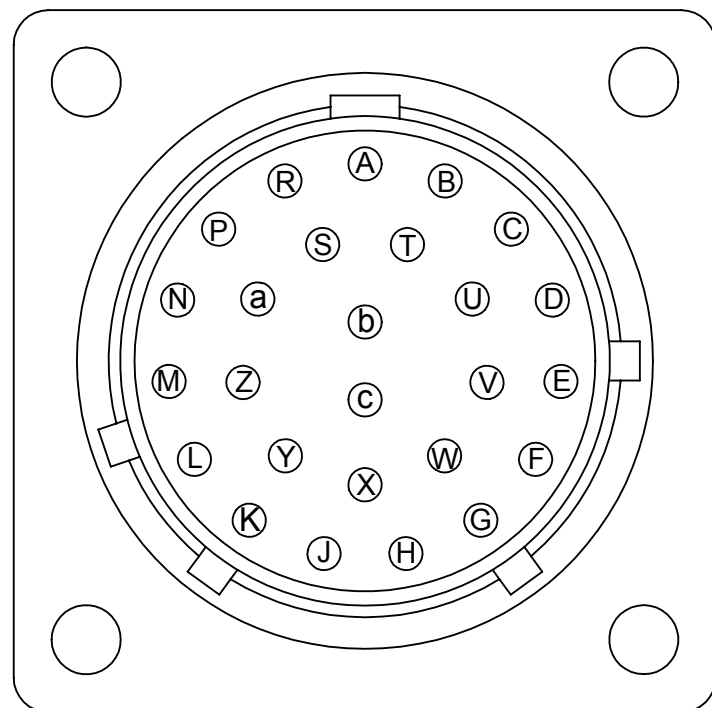
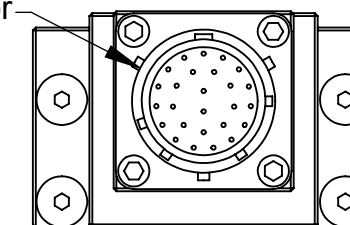
R26 Tool
PT02E16-26S
Female Connector

A	----->	----->	A
B	----->	----->	B
C	----->	----->	C
D	----->	----->	D
E	----->	----->	E
F	----->	----->	F
G	----->	----->	G
H	----->	----->	H
J	----->	----->	J
K	----->	----->	K
L	----->	----->	L
M	----->	----->	M
N	----->	----->	N
P	----->	----->	P
R	----->	----->	R
S	----->	----->	S
T	----->	----->	T
U	----->	----->	U
V	----->	----->	V
W	----->	----->	W
X	----->	----->	X
Y	----->	----->	Y
Z	----->	----->	Z
a	----->	----->	a
b	----->	----->	b
c	----->	----->	c (See Note 2)

R26 Tool Module
(9120-R26-T)



PT02E16-26S
Female Connector



Notes:

1. Large views of connectors are 3:1 scale.
2. Pin "c" on the amphenol connectors is First-to-mate Last-to-break at the Tool Changer interface. This pin is recommended for use as ground.

NOTES: UNLESS OTHERWISE SPECIFIED.

DO NOT SCALE DRAWING. ALL DIMENSIONS ARE IN MILLIMETERS.



3rd ANGLE PROJECTION



1031 Goodworth Drive, Apex, NC 27539, USA
Tel: +1.919.772.0115 Email: info@ati-ia.com
Fax: +1.919.772.8259 www.ati-ia.com
ISO 9001 Registered Company

PROPERTY OF ATI INDUSTRIAL AUTOMATION, INC. NOT TO BE REPRODUCED IN ANY MANNER EXCEPT ON ORDER OR WITH PRIOR WRITTEN AUTHORIZATION OF ATI.

DRAWN BY: P.Sparrow, 7/11/03

CHECKED BY: B.Digeso, 9/8/04

PROJECT # 030725-3 SHEET 1 OF 1

TITLE

R26 Module Drawing

SCALE
3:4

SIZE
B

DRAWING NUMBER
9630-20-R26

REVISION
06