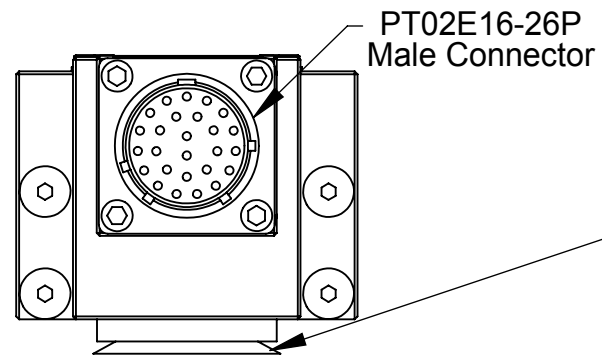
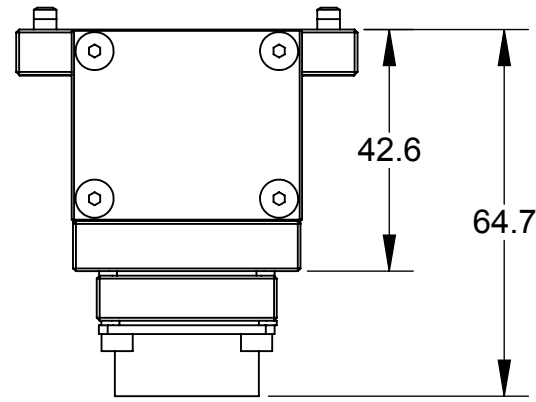
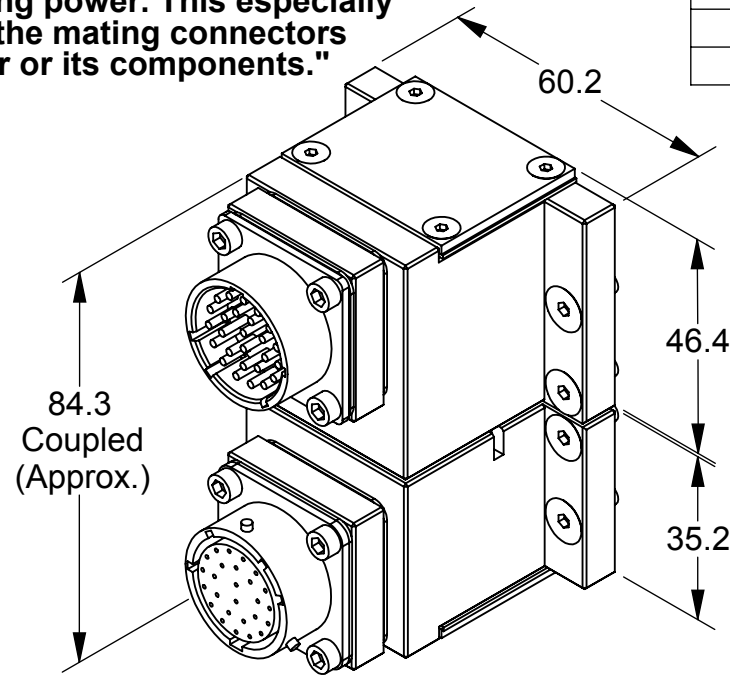
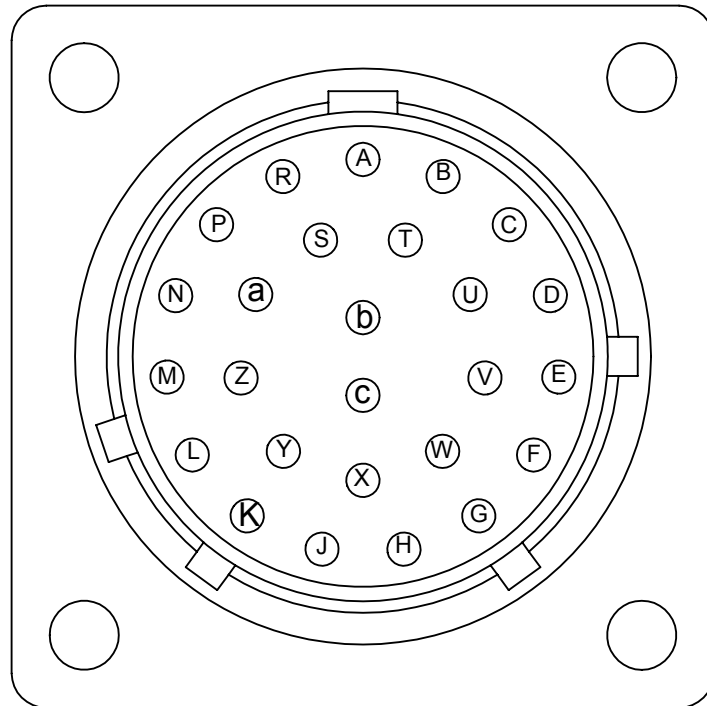


R26-VL Master Module  
(9120-R26-M-VL)

**"DANGER! - For electrical modules using > 60VDC or 42 VAC, NO contact should be attempted before removing power. This especially includes separation or insertion of the mating connectors or any contact with the tool changer or its components."**



Serviceable Part:  
(V-Ring)  
4010-0000042-01



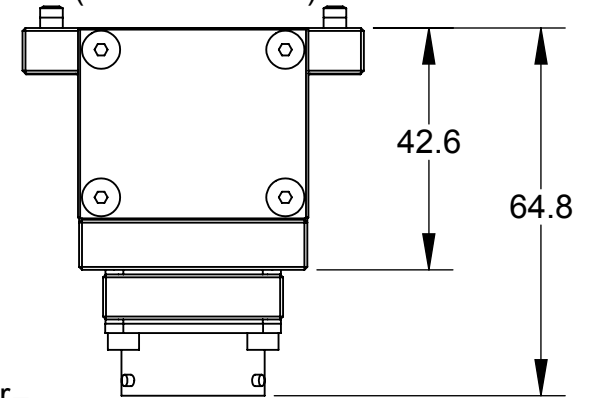
R26-VL Pin Out

R26-VL Master  
PT02E16-26P  
Male Connector

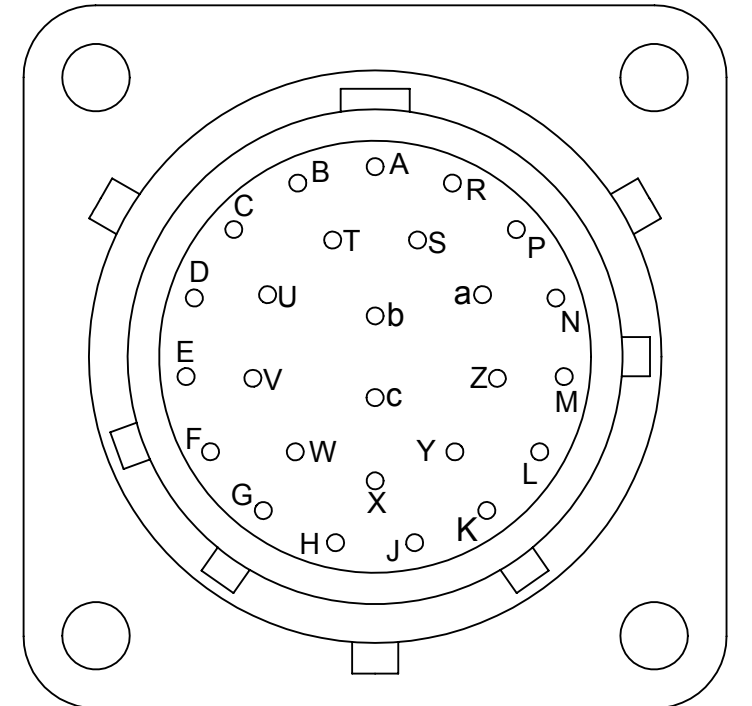
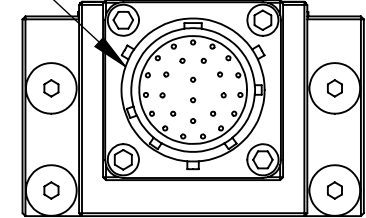
R26-VL Tool  
PT02E16-26S  
Female Connector

A	----->	>-----	A
B	----->	>-----	B
C	----->	>-----	C
D	----->	>-----	D
E	----->	>-----	E
F	----->	>-----	F
G	----->	>-----	G
H	----->	>-----	H
J	----->	>-----	J
K	----->	>-----	K
L	----->	>-----	L
M	----->	>-----	M
N	----->	>-----	N
P	----->	>-----	P
R	----->	>-----	R
S	----->	>-----	S
T	----->	>-----	T
U	----->	>-----	U
V	----->	>-----	V
W	----->	>-----	W
X	----->	>-----	X
Y	----->	>-----	Y
Z	----->	>-----	Z
a	----->	>-----	a
b	----->	>-----	b
c	----->	>-----	c (See Note 2)

R26-VL Tool Module  
(9120-R26-T-VL)



PT02E16-26S  
Female Connector



Rev.	Description	Initiator	Date
03	Eco4350; Added connector keyway orientation	JHS	12/5/05
04	Eco 5942; Added "Danger! remove power" note.	CDM	12/4/2007
05	Eco 8246; Updated Assembly Views with Connector Spacer.	CF	1/10/2011

Notes:

1. Large views of connectors are 3:1 scale.
2. Pin "c" on the amphenol connectors is First-to-mate Last-to-break at the Tool Changer interface. This pin is recommended for use as ground.

NOTES: UNLESS OTHERWISE SPECIFIED.

DO NOT SCALE DRAWING. ALL DIMENSIONS ARE IN MILLIMETERS.



3rd ANGLE PROJECTION



1031 Goodworth Drive, Apex, NC 27539, USA  
Tel: +1.919.772.0115 Email: info@ati-ia.com  
Fax: +1.919.772.8259 www.ati-ia.com  
ISO 9001 Registered Company

PROPERTY OF ATI INDUSTRIAL AUTOMATION, INC. NOT TO BE REPRODUCED IN ANY MANNER EXCEPT ON ORDER OR WITH PRIOR WRITTEN AUTHORIZATION OF ATI.

DRAWN BY: P.Sparrow, 7/22/03		TITLE	
CHECKED BY: B.Digeso, 11/1/04		R26-VL Module Drawing	
PROJECT # 030725-3	SHEET 1 OF 1	SCALE 3:4	SIZE B
		DRAWING NUMBER 9630-20-R26-VL	REVISION 05