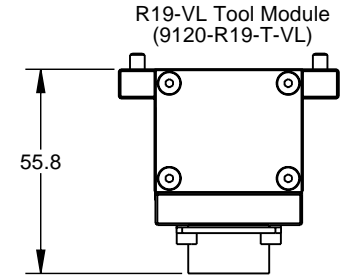
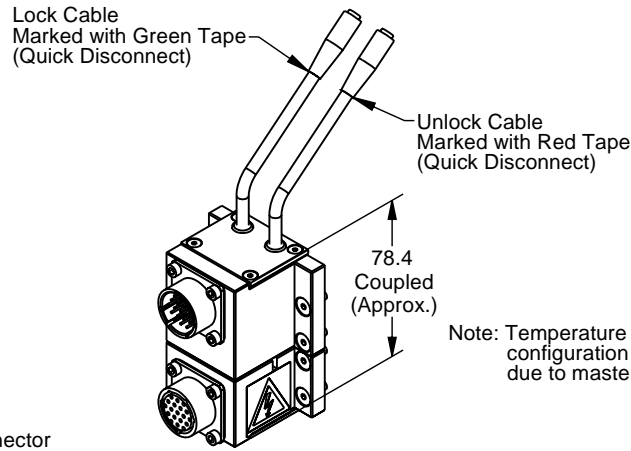
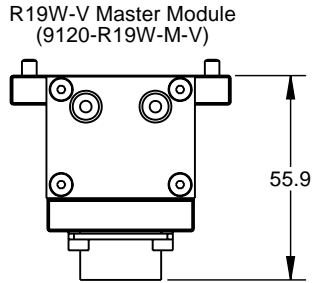
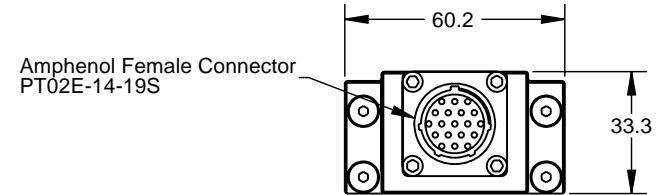
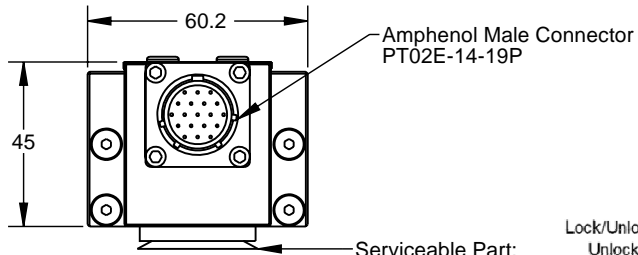


PROPERTY OF ATI INDUSTRIAL AUTOMATION, INC.
 NOT TO BE REPRODUCED IN ANY MANNER EXCEPT ON
 ORDER OR WITH PRIOR WRITTEN AUTHORIZATION OF ATI.

Rev.	Description	Initiator	Date
01	ECO# 6009 Initial Issue	PS	12/11/2007



Note: Temperature rating for this module configuration is 90 degrees Celsius due to master module lock/unlock cables.

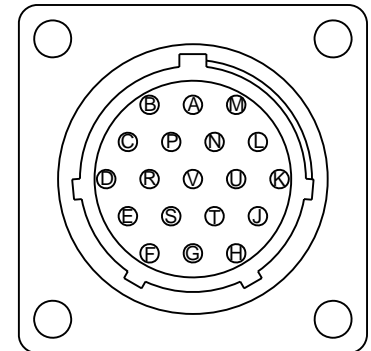
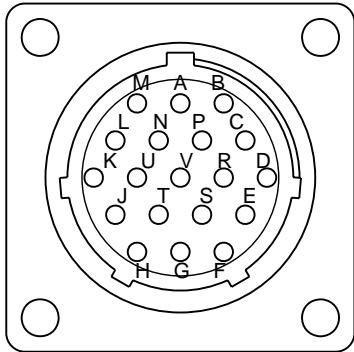
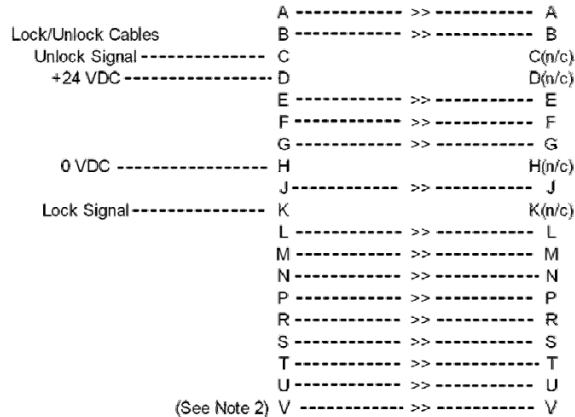


R19W-V Master to R19-VL Tool

R19W-V Master
 PT02E-14-19P
 Male Connector

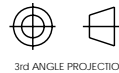
R19-VL Tool
 PT02E-14-19S
 Female Connector

Serviceable Part:
 (V-Ring)
 4010-000042-01



- Notes:
1. Large views of connectors are 2.5:1 scale.
 2. Pin "V" on the amphenol connector is First-to-mate Last-to-break at the tool changer interface. This pin is recommended for use as ground.
 3. Lock/Unlock cables only shown in center view for clarity.
 4. **DANGER!** - For electrical modules using > 60 VDC or 42 VAC, NO contact should be attempted before removing power. This especially includes separation or insertion of the mating connectors or any contact with the tool changer or its' components.

NOTES: UNLESS OTHERWISE SPECIFIED
 DO NOT SCALE DRAWING. DRAWN IN SOLIDWORKS.
 ALL DIMENSIONS ARE IN MILLIMETERS.



1031 Goodworth Drive, Apex, NC 27539, USA
 Tel: +1.919.772.0115 Email: info@ati-ia.com
 Fax: +1.919.772.8259 www.ati-ia.com
 ISO 9001 Registered Company

DRAWN BY: P.Sparrow, 12/11/07	TITLE: R19W-M-V with R19-T-VL Module Drawing
CHECKED BY: D.Swanson, 12/11/07	DRAWING NUMBER: 9630-20-R19WMV R19TVL-01
WEIGHT LBS:	SCALE: 1:2
ASSEMBLY REF:	SIZE: B
	PRODUCT RELEASE #
	DATE:
	SHEET 1 OF 1