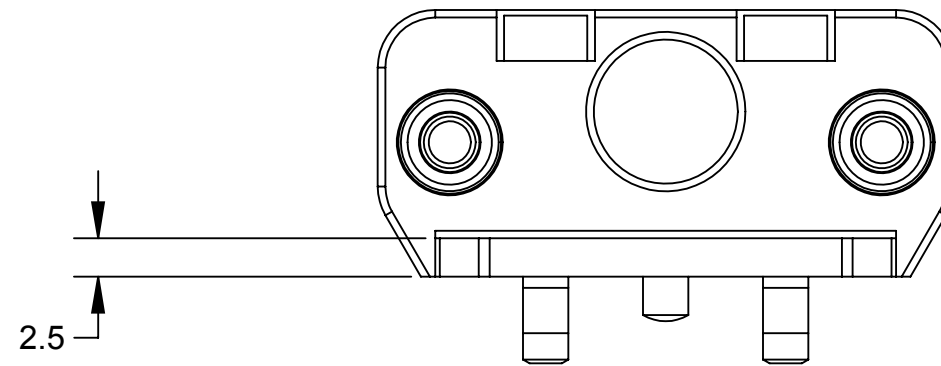
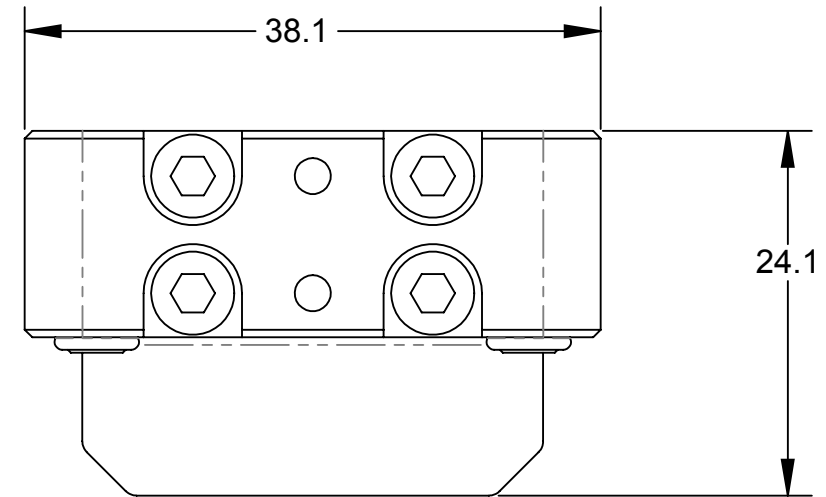
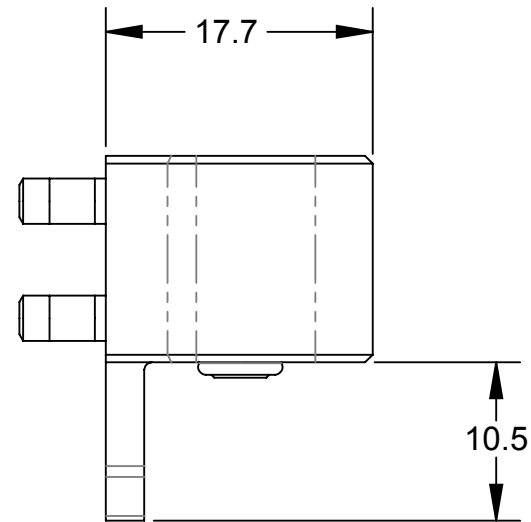
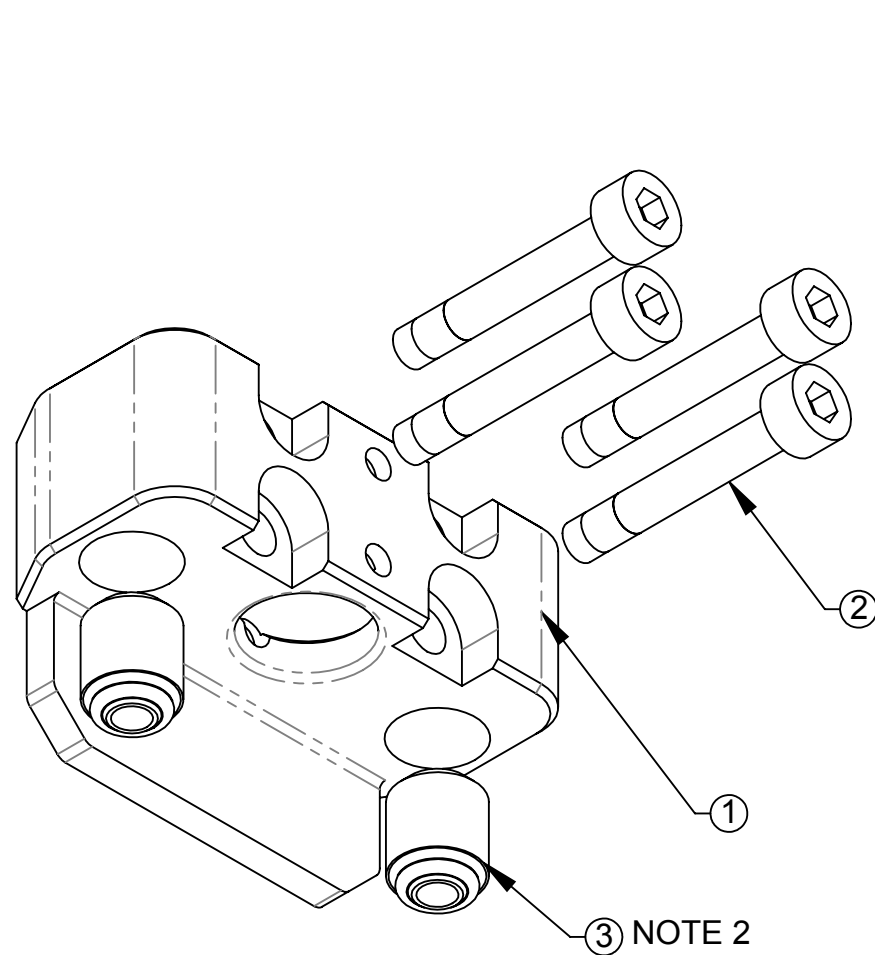


REV.	DESCRIPTION	INITIATOR	DATE
01	INITIAL DRAWING	DAN	3/6/2018



- NOTES:
1. TOOL HANGER BLOCK NESTS WITH 9120-TSS-MMB-10059
 2. SEALS INCLUDED ARE FOR PNEUMATIC SAFETY CIRCUIT OPTION. IF NOT USING THIS OPTION, SEALLS MAY BE REMOVED.

MATERIAL OF CONSTRUCTION
HOUSING: 4140 STEEL, CHROME PLATED
SEALS: NITRILE (BUNA-N)

PS1-T SERVICABLE PARTS			
ITEM NO.	QTY	PART NUMBER	DESCRIPTION
1	1	3700-20-10060	Tool Block, Single Pin, TDC
2	4	3500-1058020-15A	M3-0.5 x 20mm SHCS, Blue, Pre-Applied
3	2	4010-0000009-02	M5 Rubber Bushing, Nitrile, Light-5

NOTES: UNLESS OTHERWISE SPECIFIED.

DO NOT SCALE DRAWING. ALL DIMENSIONS ARE IN MILLIMETERS.



3rd ANGLE PROJECTION



1031 Goodworth Drive, Apex, NC 27539, USA
 Tel: +1.919.772.0115 Email: info@ati-ia.com
 Fax: +1.919.772.8259 www.ati-ia.com
 ISO 9001 Registered Company

PROPERTY OF ATI INDUSTRIAL AUTOMATION, INC. NOT TO BE REPRODUCED IN ANY MANNER EXCEPT ON ORDER OR WITH PRIOR WRITTEN AUTHORIZATION OF ATI.

DRAWN BY: D. Norton 3/7/18		TITLE	
CHECKED BY: J. Winterroth 3/7/18		Tool Hanger Module, QC-007 Drawing	
PROJECT #	151230-3	SHEET	1 OF 1
SCALE	2:1	SIZE	B
DRAWING NUMBER	9630-20-PS1-T		REVISION
			01