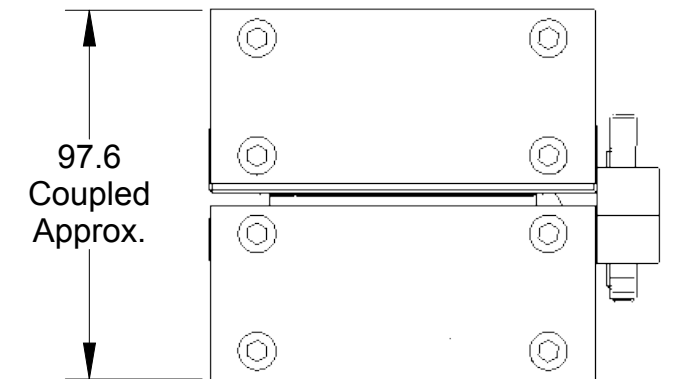
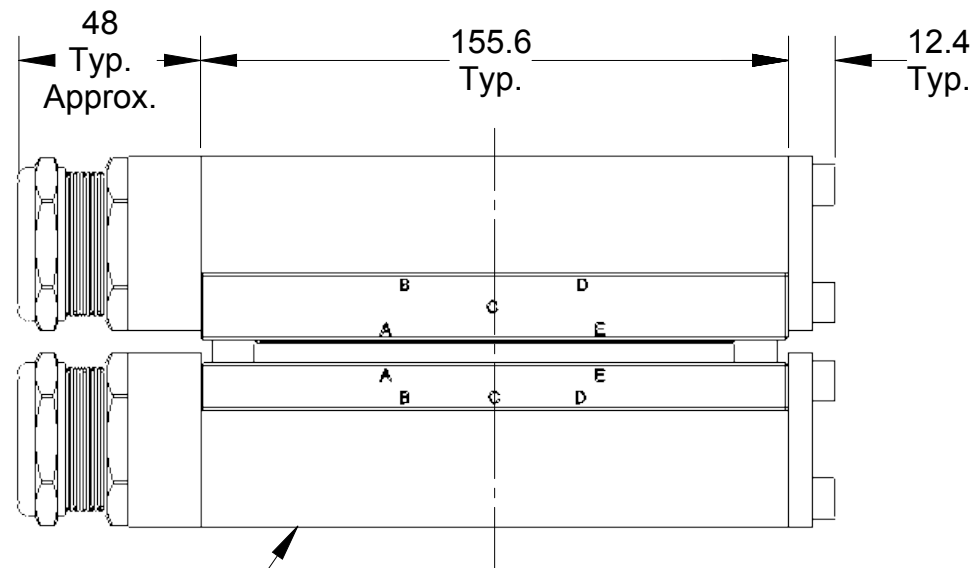
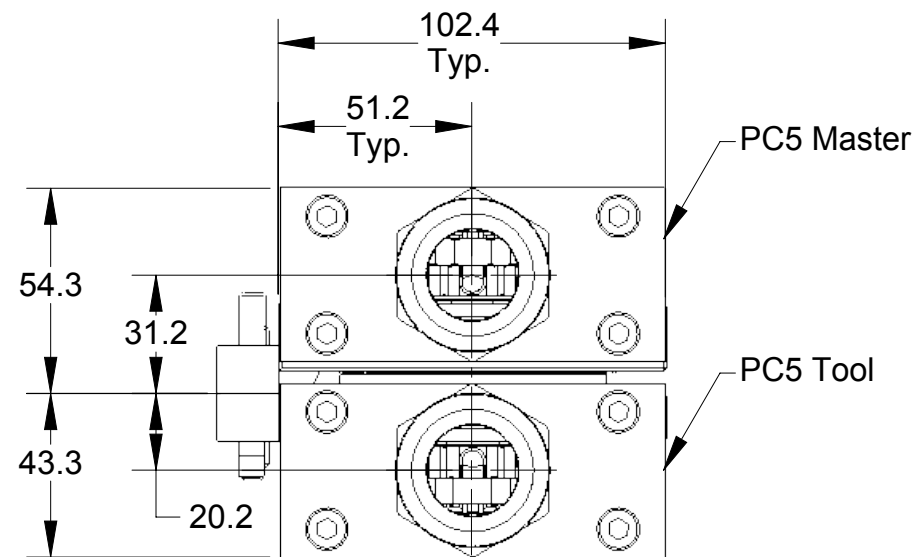
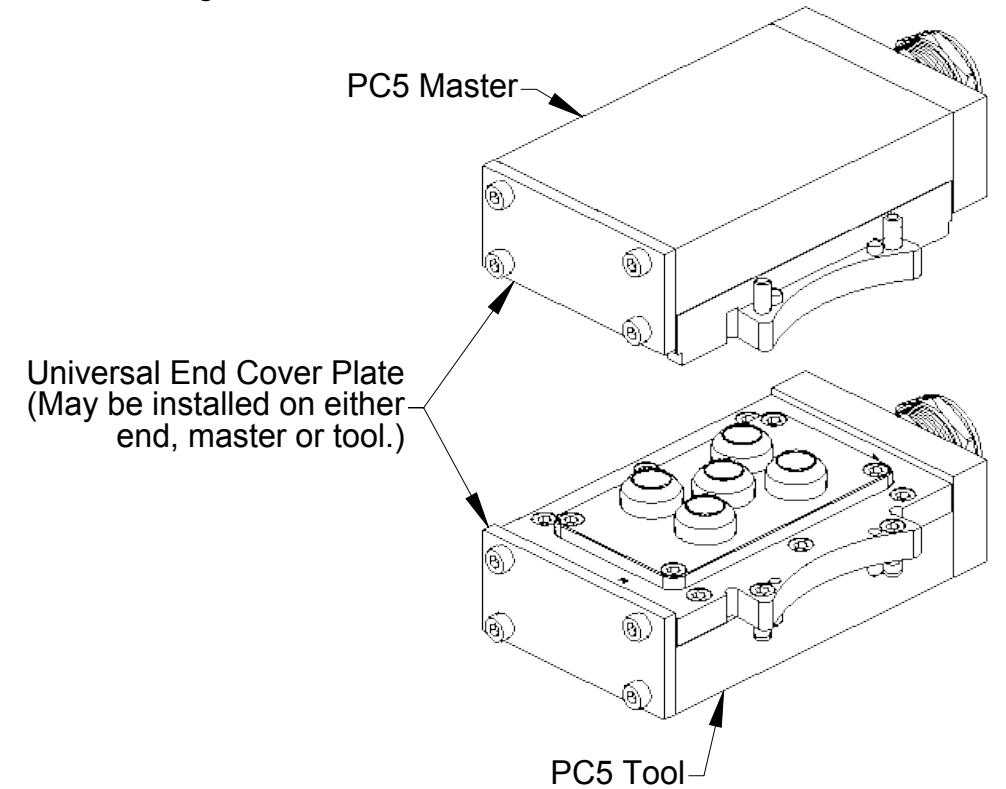
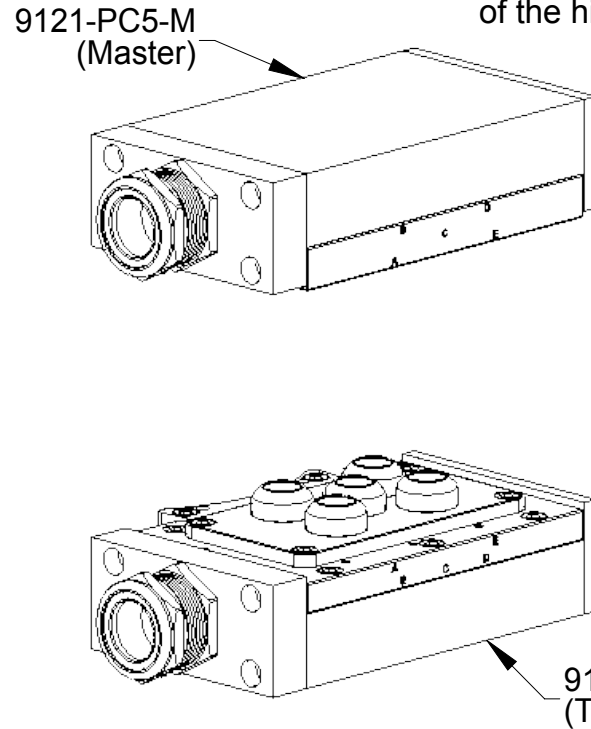
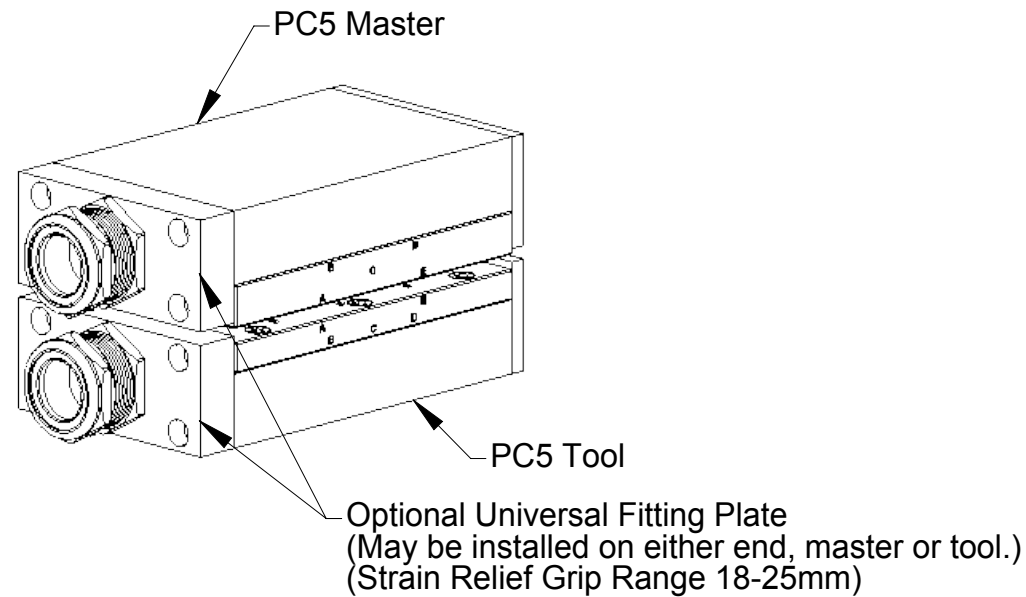


"DANGER!" - Electrical Shock Hazard

This module has a Voltage of 50V or greater, NO contact should be attempted before removing power. This especially includes separation or insertion of the mating connectors or any contact with the tool changer or its components.

Rev.	Description	Initiator	Date
03	ECO 15317; Master Insulator Post/Contact Base M3 SHCS changed from 8mm to 12mm long (Sht 2, Item 1)	SZJ	3/2/2017

Caution: The use of stiff heavy stranded cables can cause improper operation of the module by preventing compliant motion of its contacts. ATI requires the customer supplied cables be of the high-flex type with fine stranding to allow contact motion.

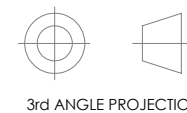


Universal Cover (Master & Tool)

Master ATI Contact		Tool ATI Contact
A	>--->	A
B	>--->	B
C	>--->	C
D	>--->	D
E	>--->	E
Contact C is First-Make/Last-Break		

NOTES: UNLESS OTHERWISE SPECIFIED.

DO NOT SCALE DRAWING. ALL DIMENSIONS ARE IN MILLIMETERS.



3rd ANGLE PROJECTION



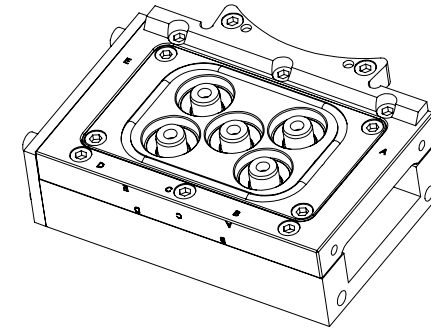
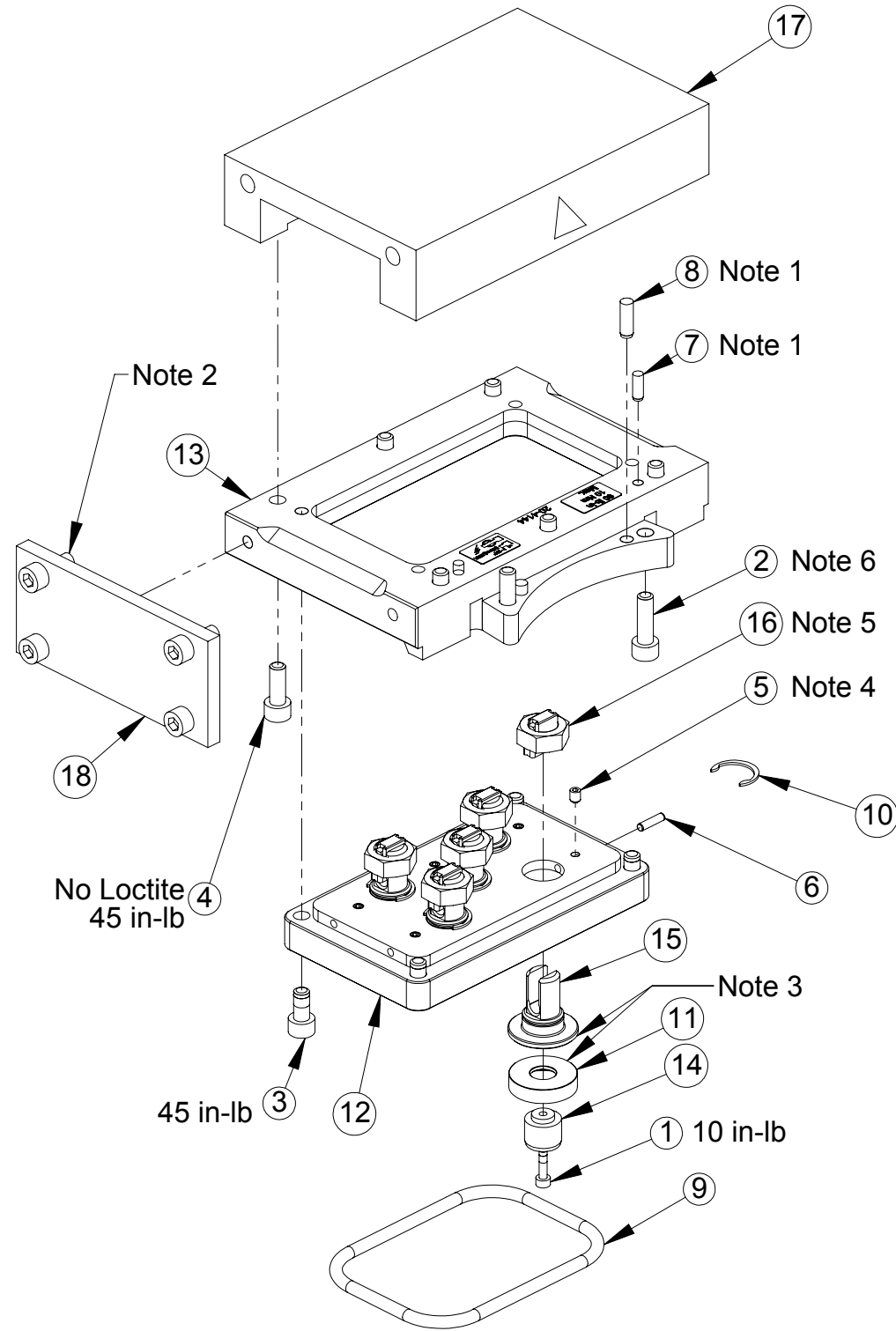
1031 Goodworth Drive, Apex, NC 27539, USA
 Tel: +1.919.772.0115 Email: info@ati-ia.com
 Fax: +1.919.772.8259 www.ati-ia.com
 ISO 9001 Registered Company

PROPERTY OF ATI INDUSTRIAL AUTOMATION, INC. NOT TO BE REPRODUCED IN ANY MANNER EXCEPT ON ORDER OR WITH PRIOR WRITTEN AUTHORIZATION OF ATI.

DRAWN BY: D.Lawson-10/23/15		TITLE	
CHECKED BY: D.Norton-10/26/15		PC5 Power Module Customer Drawing	
PROJECT # 150623-1	SHEET 1 OF 3	SCALE 1:2	SIZE B
DRAWING NUMBER 9630-20-PC5		REVISION 03	

9121-PC5-M Parts

Rev.	Description	Initiator	Date
-	See Sheet1	-	-



ITEM NO.	QTY	PART NUMBER	DESCRIPTION
1	5	3500-1058012-15A	M3-0.5 x 12mm SHCS, Blue, Pre-Applied
2	2	3500-1066020-15	M6-1 x 20mm SHCS, Blue
3	4	3500-1066012-15A	M6-1 x 12mm SHCS, Blue, Pre-Applied
4	6	3500-1066016-15	M6-1 x 16mm SHCS, Blue
5	5	3500-1962005-11	Set Screw M4 x 5 Cup Point
6	5	3540-0103012-21	3mm x 12mm Dowel, SS (DIN 2338)
7	2	3540-0104012-11	4mm x 12mm Dowel Alloy Steel
8	2	3540-0105016-11	5mm x 16mm Dowel Alloy Steel
9	1	3615-5528601-51	SEAL, PC2 5-PIN HIGH-POWER MODULE
10	5	3690-6500004-11	Low-Clearance C-Style Ring for 5/8" Shaft Dia.
11	5	3700-20-1544	High Power Module Contact Tip No-Touch Master
12	1	3700-20-4143	PC2 POWER MOD. INSL PLATE, MASTER
13	1	3700-20-4144	PC2 POWER MOD. MTG PLATE, MASTER
14	5	3700-20-4153	INSULATOR POST, MASTER
15	5	3700-20-6634	Short Contact Base, PA11 Master
16	5	3700-20-6643	Split Bolt Cable Clamp, 4 AWG Cable
17	1	3700-20-9410	Module Cover, PC5
18	1	9005-20-2468	End Plate Assembly, PC5
19	1	9600-20-0028	TORQUE LABEL, HIGH-POWER MODULES
20	1	9600-20-0032	LABEL, POWER CABLE DRESS

NOTES: UNLESS OTHERWISE SPECIFIED.

DO NOT SCALE DRAWING. ALL DIMENSIONS ARE IN INCHES.

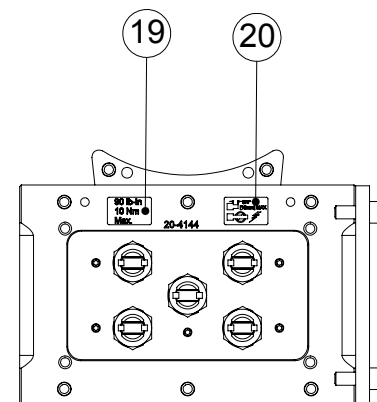


1031 Goodworth Drive, Apex, NC 27539, USA
 Tel: +1.919.772.0115 Email: info@ati-ia.com
 Fax: +1.919.772.8259 www.ati-ia.com
 ISO 9001 Registered Company

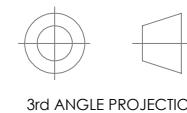
PROPERTY OF ATI INDUSTRIAL AUTOMATION, INC. NOT TO BE REPRODUCED IN ANY MANNER EXCEPT ON ORDER OR WITH PRIOR WRITTEN AUTHORIZATION OF ATI.

DRAWN BY: D.Lawson-10/23/15		TITLE	
CHECKED BY: D.Norton-10/26/15		PC5 Power Module Customer Drawing	
SCALE	SIZE	DRAWING NUMBER	REVISION
1:2	B	9630-20-PC5	03

- Notes:
1. Press leaving 3/16" exposed.
 2. Fasteners supplied with plates. No Loctite, 45 in-lb.
 3. Apply silver conductive grease to mating contact base/tip surfaces.
 4. Loctite 7649 - 222 / Flush to 0.010" below flush.
 5. No Loctite. Torque to value shown on torque label.
 6. 89 in-lb when mounting to tool changer.



(Cover not shown)

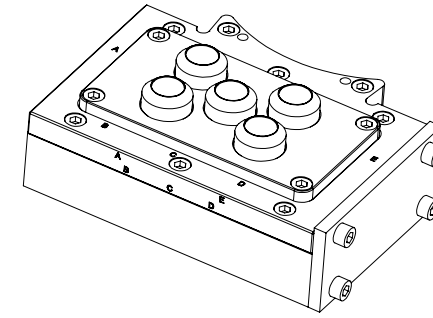
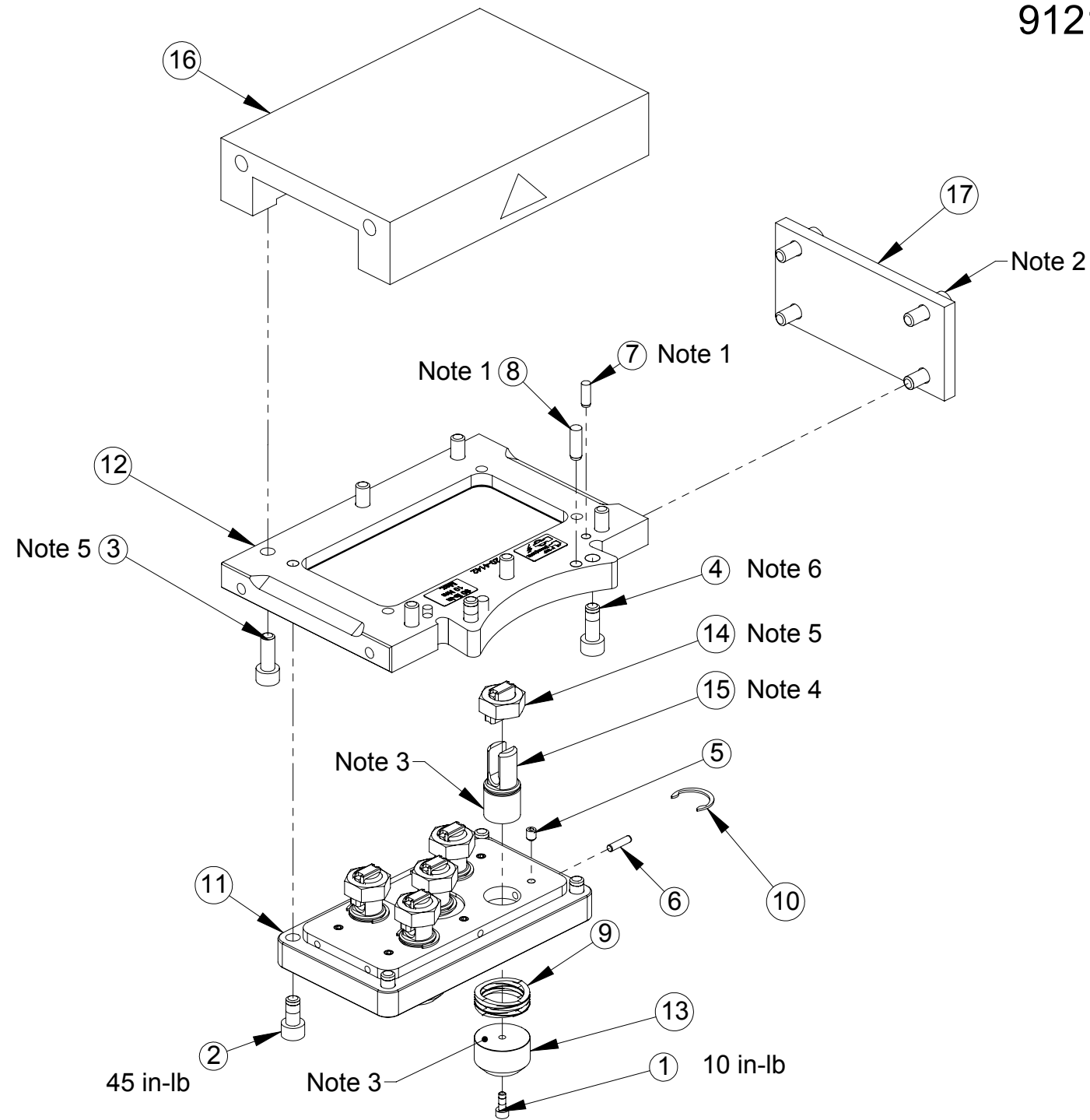


3rd ANGLE PROJECTION

PROJECT # 150623-1 SHEET 2 OF 3

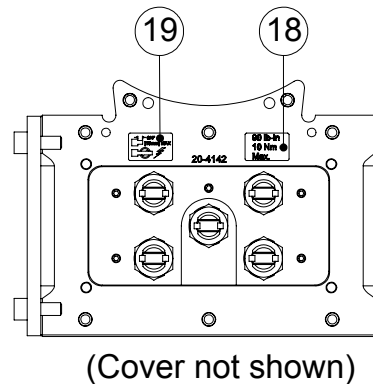
Rev.	Description	Initiator	Date
-	See Sheet1	-	-

9121-PC5-T Parts



ITEM NO.	QTY	PART NUMBER	DESCRIPTION
1	5	3500-1058008-15A	M3-0.5 x 8mm SHCS, Blue, Pre-Applied
2	4	3500-1066012-15A	M6-1 x 12mm SHCS, Blue, Pre-Applied
3	6	3500-1066016-15	M6-1 x 16mm SHCS, Blue
4	2	3500-1066016-15A	M6-1 x 16mm SHCS, Blue, Pre-Applied
5	5	3500-1962005-11	Set Screw M4 x 5 Cup Point
6	5	3540-0103012-21	3mm x 12mm Dowel, SS (DIN 2338)
7	2	3540-0104012-11	4mm x 12mm Dowel Alloy Steel
8	2	3540-0105016-11	5mm x 16mm Dowel Alloy Steel
9	5	3610-7301101-21	Wave Spring, .91"OD x .44 Lg-Smalley 14892-08
10	5	3690-6500004-11	Low-Clearance C-Style Ring for 5/8" Shaft Dia.
11	1	3700-20-4141	PC2 POWER MOD. INSL. PLATE, TOOL
12	1	3700-20-4142	PC2 POWER MOD. MTG PLATE, TOOL
13	5	3700-20-4158	CONTACT TIP, TOOL
14	5	3700-20-6643	Split Bolt Cable Clamp, 4 AWG Cable
15	5	3700-20-7217	Short #4 Contact Base, Tool
16	1	3700-20-9410	Module Cover, PC5
17	1	9005-20-2468	End Plate Assembly, PC5
18	1	9600-20-0028	TORQUE LABEL, HIGH-POWER MODULES
19	1	9600-20-0032	LABEL, POWER CABLE DRESS

- Notes:
1. Press leaving 3/16" exposed.
 2. Fasteners supplied with plates. No Loctite, 45 in-lb.
 3. Apply silver conductive grease to mating contact base/tip surfaces.
 4. Loctite 7649 - 222 / Flush to 0.010" below flush.
 5. No Loctite. Torque to value shown on torque label.
 6. 89 in-lb when mounting to tool changer.



NOTES: UNLESS OTHERWISE SPECIFIED.

DO NOT SCALE DRAWING. ALL DIMENSIONS ARE IN INCHES.



1031 Goodworth Drive, Apex, NC 27539, USA
 Tel: +1.919.772.0115 Email: info@ati-ia.com
 Fax: +1.919.772.8259 www.ati-ia.com
 ISO 9001 Registered Company

PROPERTY OF ATI INDUSTRIAL AUTOMATION, INC. NOT TO BE REPRODUCED IN ANY MANNER EXCEPT ON ORDER OR WITH PRIOR WRITTEN AUTHORIZATION OF ATI.

DRAWN BY: D.Lawson-10/23/15		TITLE	
CHECKED BY: D.Norton-10/26/15		PC5 Power Module Customer Drawing	
PROJECT #	150623-1	SHEET	3 OF 3
SCALE	1:2	SIZE	B
DRAWING NUMBER	9630-20-PC5	REVISION	03

