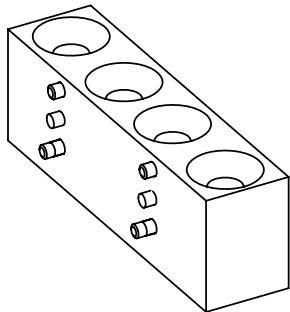
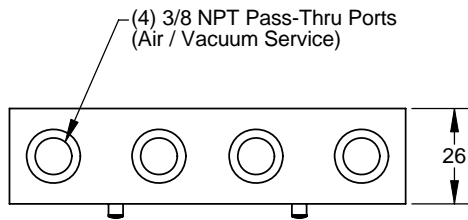
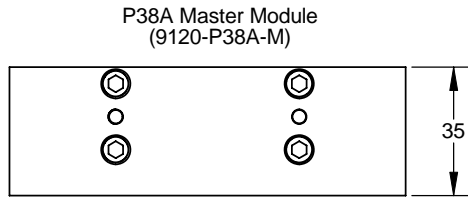
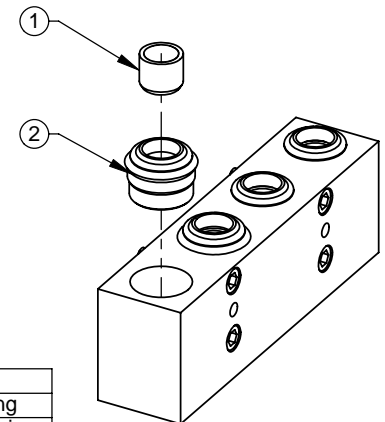
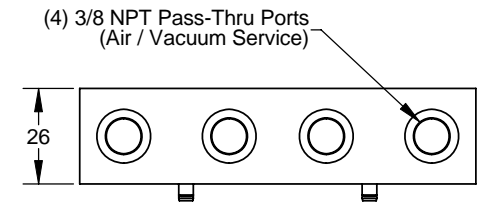
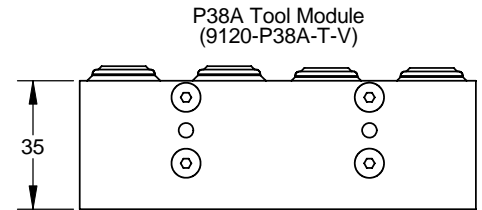
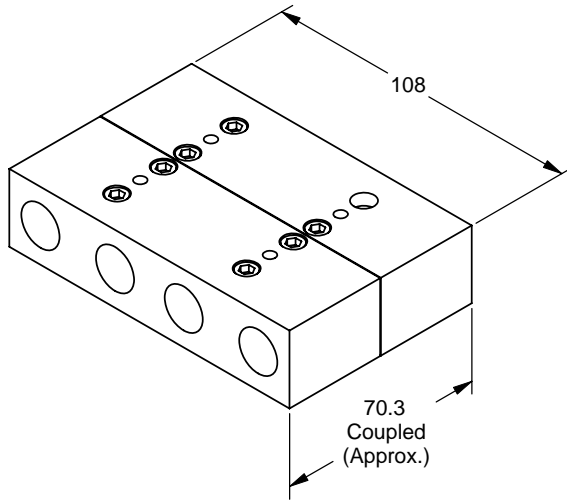


Rev.	Description	Initiator	Date
01	Initial Issue	CF	3/15/2011



P38A-M No Serviceable Parts



Notes:

Extra mounting hardware provided for "piggy-back" applications.

Material of Construction:  
 1. Housing - Anodized Aluminum  
 2. Other - Viton, Brass

Operation:  
 1. Pneumatic Operation Only.  
 2. For optimum performance inspect mating surfaces regularly to ensure they are free of debris.

P38A-T-V Serviceable Parts

ITEM NO.	QTY.	PART NUMBER	DESCRIPTION
1	4	3700-20-2000	Collar for 3/8" Bushing
2	4	4010-0000022-01	Viton 3/8" Rubber Bushing

NOTES: UNLESS OTHERWISE SPECIFIED.

DO NOT SCALE DRAWING. ALL DIMENSIONS ARE IN MILLIMETERS.



3rd ANGLE PROJECTION



1031 Goodworth Drive, Apex, NC 27539, USA  
 Tel: +1.919.772.0115 Email: info@ati-ia.com  
 Fax: +1.919.772.8259 www.ati-ia.com  
 ISO 9001 Registered Company

PROPERTY OF ATI INDUSTRIAL AUTOMATION, INC. NOT TO BE REPRODUCED IN ANY MANNER EXCEPT ON ORDER OR WITH PRIOR WRITTEN AUTHORIZATION OF ATI.

DRAWN BY: C. Flesock, 3/15/2011	TITLE		
CHECKED BY: D. Wagner, 3/15/2011	P38A Viton Module Drawing		
PROJECT # 010702-1 SHEET 1 OF 1	SCALE 3:4	SIZE B	DRAWING NUMBER 9630-20-P38A-V
			REVISION 01