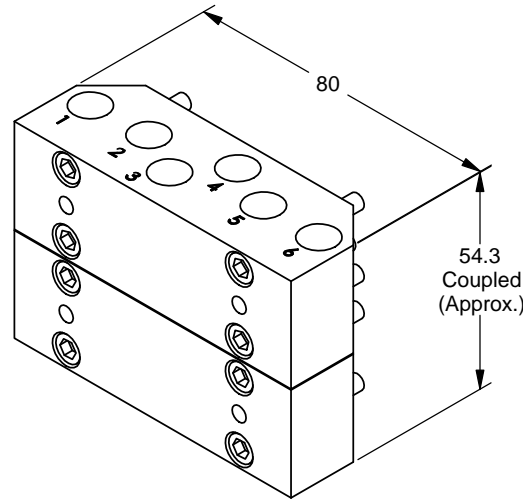
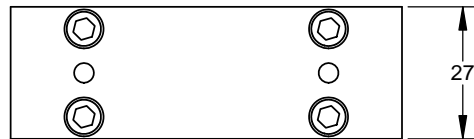
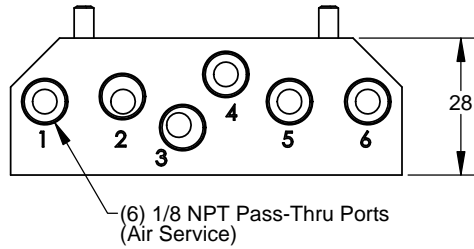


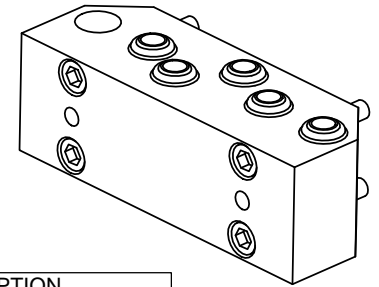
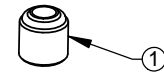
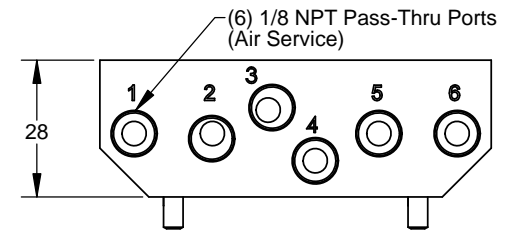
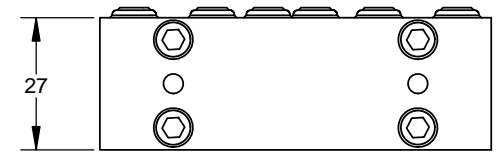
PROPERTY OF ATI INDUSTRIAL AUTOMATION, INC.
 NOT TO BE REPRODUCED IN ANY MANNER EXCEPT ON
 ORDER OR WITH PRIOR WRITTEN AUTHORIZATION OF ATI.

Rev.	Description	Initiator	Date
02	Release	JEW	2/15/2007
03	ECO 5349: Add Port IDs	JEW	5/15/2007

**P186A Master Module
(9120-P186A-M)**



**P186A Tool Module
(9120-P186A-T)**



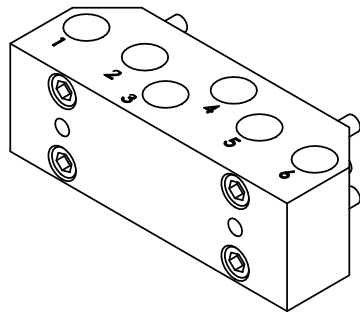
Notes:

Material of Construction:

1. Housing - Anodized Aluminum
2. Bushing - Nitrile

Operation:

1. Pneumatic Operation Only.
2. For optimum performance inspect mating surfaces regularly to ensure they are free fo debris.



P186A-M No Serviceable Parts

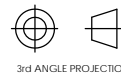
P186A-T Serviceable Parts

ITEM NO.	serviceable/QTY.	PART NUMBER	DESCRIPTION
1	6	4010-0000013-01	1/8" NPT Rubber Bushing, Nitrile

NOTES: UNLESS OTHERWISE SPECIFIED
 DO NOT SCALE DRAWING. DRAWN IN SOLIDWORKS.
 ALL DIMENSIONS ARE IN MILLIMETERS.



1031 Goodworth Drive, Apex, NC 27539, USA
 Tel: +1.919.772.0115 Email: info@ati-ia.com
 Fax: +1.919.772.8259 www.ati-ia.com
 ISO 9001 Registered Company



3rd ANGLE PROJECTION

DRAWN BY: J. Williams 11/8/06	TITLE: P186A Module Drawing		
CHECKED BY: D.Lawson 11/21/06	SCALE: 1:1	SIZE: B	DRAWING NUMBER: 9630-20-P186A-03
WEIGHT LBS: -	PRODUCT RELEASE # 061108-1 DATE: SHEET 1 OF 1		
ASSEMBLY REF:			